

# Illustrated Parts List for VMAC System V900095

## GM 5.3L/6.0L VORTEC 1999 – 2002

1 - Kit Pack List .....	2
2 - Fastener Pack, 3800598.....	4
3 - Compressor Assembly, P120103 .....	6
4 - Compressor Sub Components, P120004 .....	8
5 - Inlet Valve Sub Components, 9200419 .....	9
6 - Main Bracket Assembly, 4800458 .....	10
7 - Tank Mount Strap Assembly, 4800163.....	11
8 - VR70 Tank, 9200380 .....	12
9 – Throttle Control,GMC/CHEV 6.0L, 1999-2002, 3620065 .....	14
10 - Cooler Assembly, 4800211 .....	16
11 - Adaptor Kit, 5.3L Vortec V8 Gas, A700042 .....	16

Document 1930126

### Changes and Revisions

Version	Revision Details	Revised by/date	Approved by/date	Implemented
-	New Format	YBD/12JUL06	SM/17JUL06	21JUL2006
A	ECN 06-220 Coal. spring	IB 22 Apr 2007	SH 23 Apr 2007	27 Apr 2007

### **VMAC – Vehicle Mounted Air Compressors**

Toll Free: 1-800-738-8622

Local: 1-250-740-3200

Fax: 1-250-740-3201

## 1 - Kit Pack List

Item #	Part #	Qty	Description
1	1610338	1	BELT, K060832
2	1730107	1	HOSE, CRIMPED, 1/4" X 107"
3	1740111	1	HOSE, CRIMPED, 5/16" X 111"
4	1752068	1	HOSE, CRIMPED, 1/2" X 68"
5	1752075	1	HOSE, CRIMPED, 1/2" X 75"
6	1781078	1	HOSE, CRIMPED, 1" X 78"
7	1800194	1	CRANK PULLEY
8	1930060	1	MANUAL, OWNERS GENERIC, VR70 & 140
9	1930125	1	MANUAL, INSTALLATION, V900095
10	1930126	1	ILLUSTRATED PARTS LIST, V900095
11	2200105	2	CLAMP, MOUNTING BRACKET C, 6
12	2200111	1	STRAP, TANK, BACKING
13	2200120	1	STRAP, TANK CABLE, 17
14	3550391	1	CABLE, INTERFACE GMC 454
15	3550404	1	CONTROL PANEL - LOW PROFILE
16	3550412	1	SWITCHING BOX
17	3550511	1	DDC GMC 5.3/6.0
18	3620065	1	THROTTLE CONTROL, GMC/CHEV 6.0,99-02
19	3800598	1	FAST PACK, V900095
20	4800163	2	BRACKET, TANK
21	4800211	1	COOLER ASSEMBLY
22	4800413	1	SYSTEM OPERATION INSTRUCTION AND ID
23	4800458	1	MAIN BRACKET ASSEMBLY
24	9200380	1	TANK, VR70 DRESSED INT OIL FILTER
25	A700091	1	OIL, VR, 1L, HIGH PERFORMANCE
26	A700094	1	OIL, VR, 4L, HIGH PERFORMANCE
27	P120103	1	COMPRESSOR ASSEMBLY

**VMAC – Vehicle Mounted Air Compressors**

Toll Free: 1-800-738-8622

Local: 1-250-740-3200

Fax: 1-250-740-3201

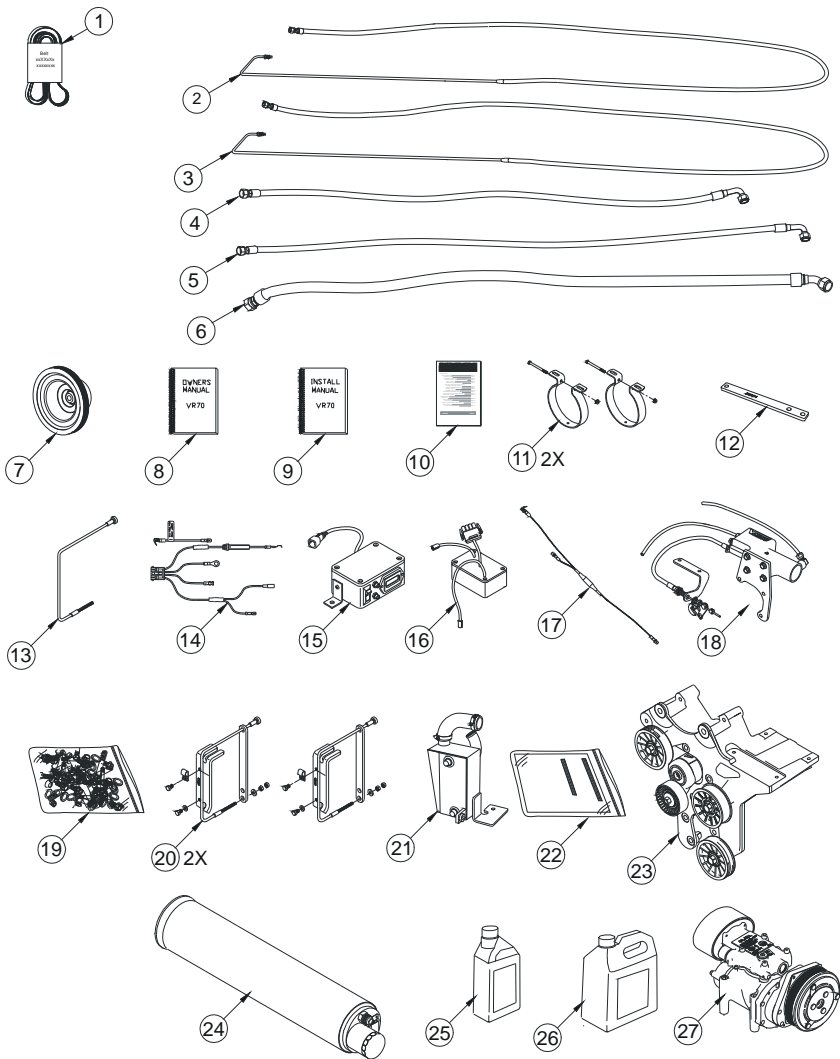


Figure 1 - Kit Pack List

**VMAC – Vehicle Mounted Air Compressors**

Toll Free: 1-800-738-8622

Local: 1-250-740-3200

Fax: 1-250-740-3201

2 - Fastener Pack, 3800598

Item #	Part #	Qty	Description
1	3800197	1	FASTENER PACK, COOLER
1.1	1200518	1	SPACER, COOLER TAB
1.2	1400170	1	BOLT, HHCS G10.9, M10 X 1.5 X 40
1.3	1520060	1	BOLT, HHCS G10.9, M10 X 1.5 X 30
1.4	1520090	2	BOLT, HHCS G10.9, M12 X 1.75 X 30
1.5	1520159	1	NUT, NYLOCK PL, M10 X 1.5
1.6	1560138	1	NUT, HEX PL, M12
1.7	1560215	1	WASHER, ALLOY PL SAE, 3/8
1.8	1570044	4	WASHER, SPLIT LOCK, 1/2
1.9	1570237	1	CLAMP, HOSE HS28
1.10	2200026	2	BRACKET, COOLER, GMT 900
2	3800199	1	FASTENER PACK, CRANK BOLT
2.1	4800374	1	BOLT/ WASHER ASSEMBLY
3	3800549	1	FASTENER PACK, MAIN BRACKET
3.1	1520060	3	BOLT, HHCS G10.9, M10 X 1.5 X 40
3.2	1520090	1	BOLT, HHCS G10.9, M10 X 1.5 X 30
3.3	1570044	4	WASHER, ALLOY PL SAE, 3/8
4	3800550	1	FASTENER PACK, PCM
4.1	1200476	1	BRACKET, PCM UPPER
4.2	1200477	1	BRACKET, PCM LOWER
4.3	1520541	2	BOLT, HHCS G10.9, M6 X 1.0 X 20
4.4	1560438	2	NUT, NYLOCK, M6
4.5	1570038	2	WASHER, FLAT SAE, 1/4
4.6	1710725	1	HOSE, SPLIT, 6"
4.7	2200039	3	TIE, NYLON MD, 7"
5	3800551	1	FASTENER PACK, SPLITTER BOX
5.1	1200482	1	BRACKET, SPLITTER BOX MOUNT
5.2	1540370	2	BOLT, SHCS, M6 X 1.0 X 18
5.3	1560438	2	NUT, NYLOCK, M6
5.4	1570038	2	WASHER, FLAT SAE, 1/4
6	3800552	1	FASTENER PACK, FAN
6.1	3400061	1	SPACER, FAN

**VMAC – Vehicle Mounted Air Compressors**

Toll Free: 1-800-738-8622

Local: 1-250-740-3200

Fax: 1-250-740-3201

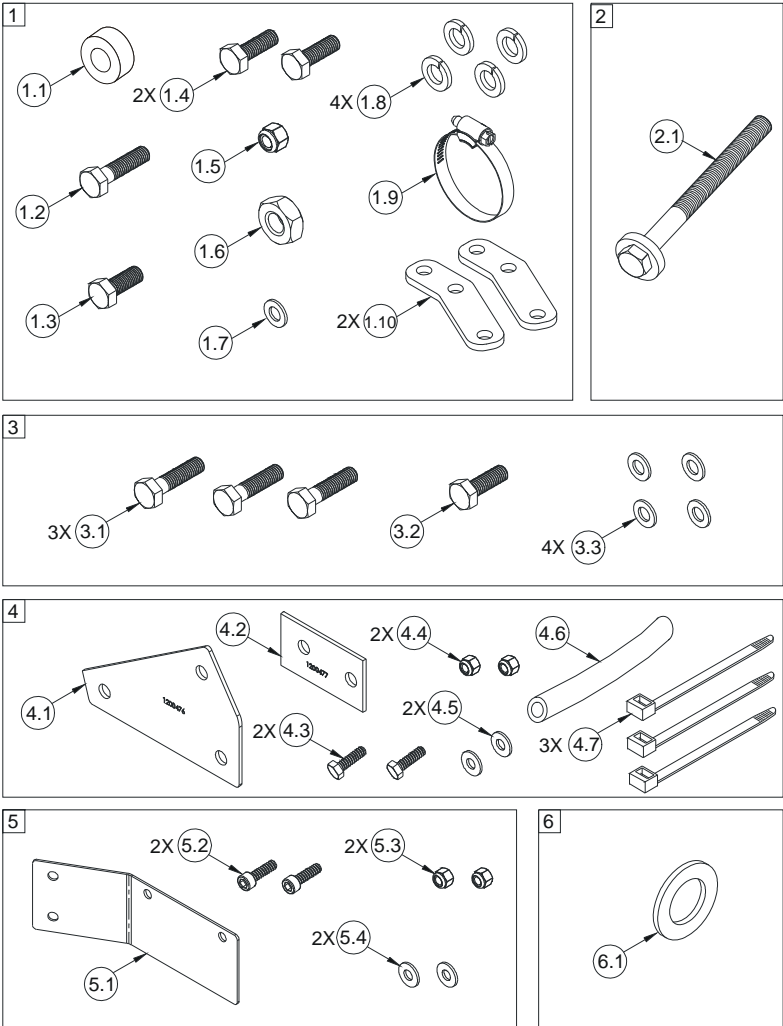


Figure 2 – Fastener Packs

### 3 - Compressor Assembly, P120103

Item #	Part #	Qty	Description
1	1540521	4	BOLT, SHCS, M8 X 1.25 X 110
2	1540530	2	BOLT, SHCS, M8 X 1.25 X 55, G12.9
3	1540550	2	BOLT, SHCS, M8 X 1.25 X 50, GR 12.9
4	4900002	1	ELBOW, STEEL JIC/O-RING, 1/2 3/4-16
5	4900045	1	PLUG, STEEL HEX SAE/O-RING PORT
6	5000020	2	ELBOW, BRASS NPT-POLY, 1/8-1/4
7	5000081	1	ELBOW, BRASS NPT-TUBE, 1/8-5/16
8	5000085	1	ELBOW, BRASS NPT-SAE 45 DEG, 1/8-1/4
9	5830004	1	O-RING, VITON, 3 1/8 ID X 1/8
10	5830132	1	O-RING, VITON, #8 ORB
11	9200419	1	INLET VALVE, BASIC INTEGRATED REG.
12	P120004	1	VR70 COMPRESSOR

**VMAC – Vehicle Mounted Air Compressors**

Toll Free: 1-800-738-8622

Local: 1-250-740-3200

Fax: 1-250-740-3201

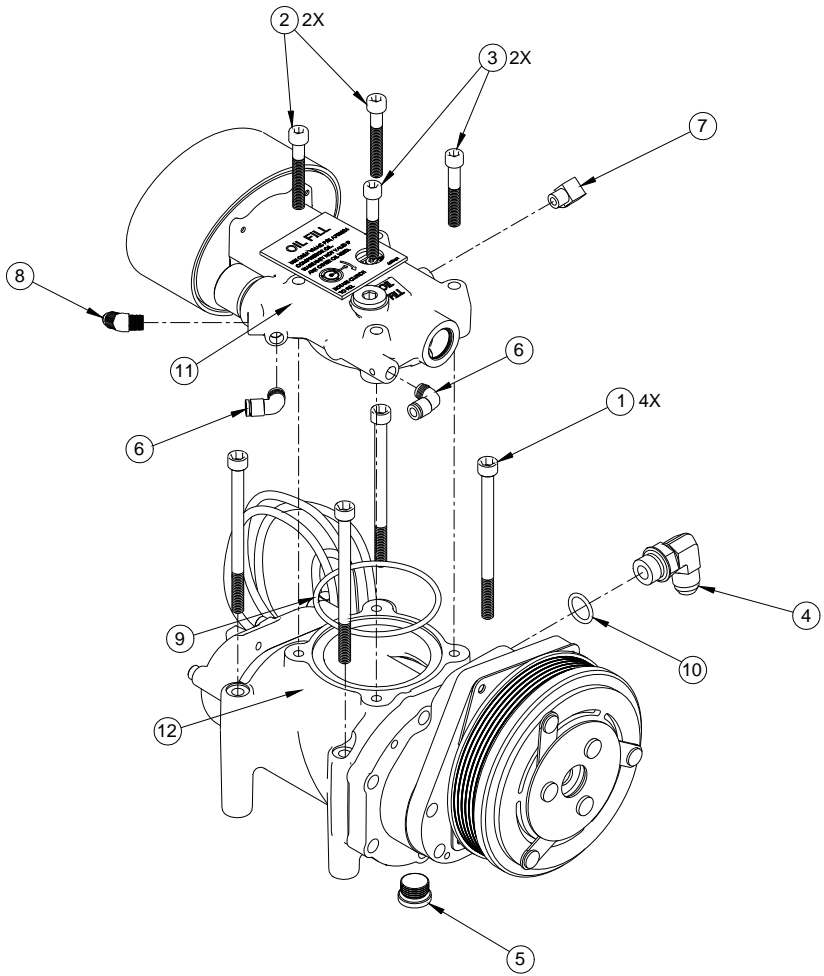


Figure 3 – Compressor Assembly

**VMAC – Vehicle Mounted Air Compressors**

Toll Free: 1-800-738-8622

Local: 1-250-740-3200

Fax: 1-250-740-3201

#### 4 - Compressor Sub Components, P120004

Item #	Part #	Qty	Description
1	3550682	1	TEMPERATURE PROBE
2	P200035	1	CLUTCH COMPLETE 6 GROVE

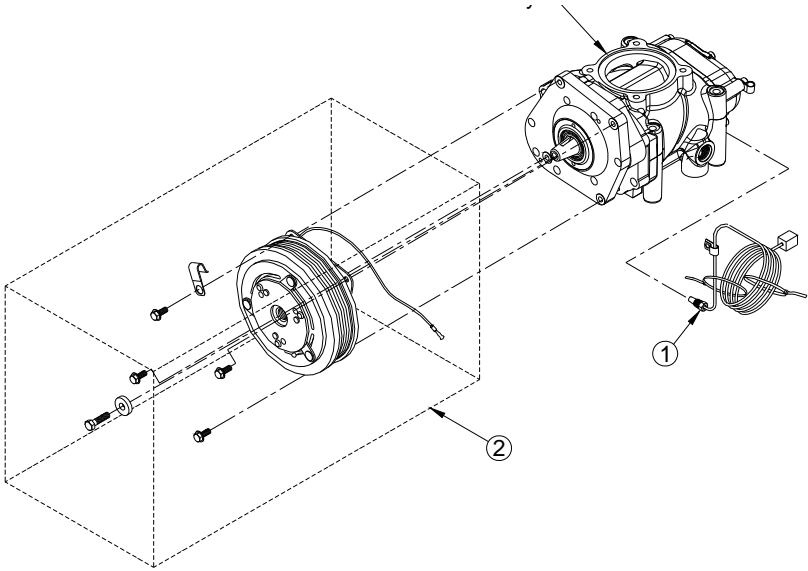


Figure 4– Compressor Sub Components

**VMAC – Vehicle Mounted Air Compressors**

Toll Free: 1-800-738-8622

Local: 1-250-740-3200

Fax: 1-250-740-3201



## 5 - Inlet Valve Sub Components, 9200419

Item #	Part #	Qty	Description
1	3600046	1	REGULATOR VALVE
2	4900045	1	PLUG
3	5830002	1	O-RING, VITON, 2 3/8 ID X 3/32
4	5830129	1	O-RING, VITON, 1 7/8 ID X 3/16
5	A700049	1	FILTER KIT ASSEMBLY
5.1	1500077	4	SCREW, BUTTON HEAD, 10 - 32 X 3/8
5.2	1500519	1	ROD, THREADED, 1/4 X 2.62
5.3	1550029	1	NUT, NYLOCK NC, 1/4
5.4	1550221	1	NUT, HEX NC PL, 1/4, GR8
5.5	1570038	1	WASHER, FLAT SAE, 1/4
5.6	3200205	1	PLATE, INNER FILTER
5.7	3600037	1	ELEMENT, FILTER, PAPER
5.8	3600066	1	COVER, AIR FILTER, PLASTIC
5.9	5830070	1	O-RING, VITON, 2 9/16 ID X 3/32

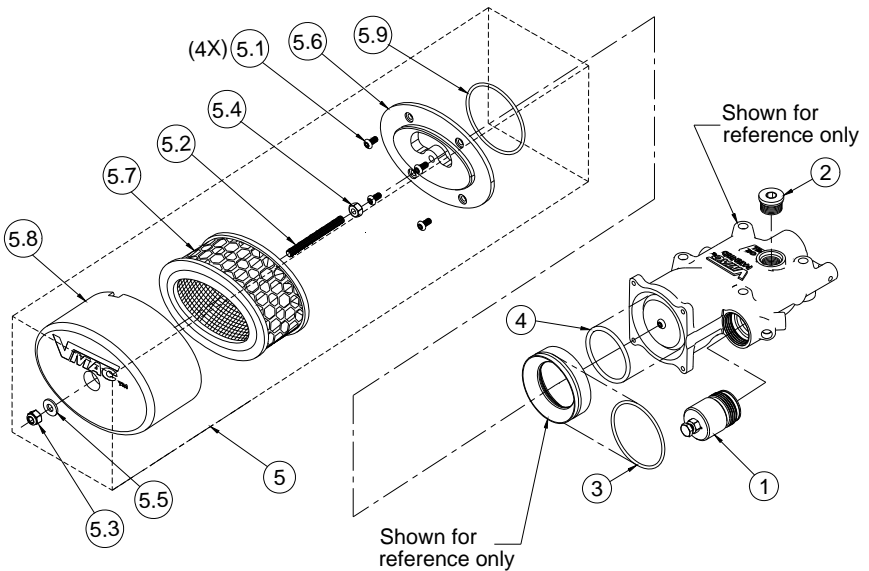


Figure 5 – Inlet Valve Sub Components

### VMAC – Vehicle Mounted Air Compressors

Toll Free: 1-800-738-8622

Local: 1-250-740-3200

Fax: 1-250-740-3201

## 6 - Main Bracket Assembly, 4800458

Item #	Part #	Qty	Description
1	1100158	1	BRACKET, MAIN, V900087(CAST)
2	1300030	2	IDLER, SERP, 6 GROOVE, FLANGE, 90MM
3	1300031	1	IDLER, SERP, BACK, FLANGE, 90MM
4	1400051	3	SPACER, IDLER - BOLT
5	1510161	2	BOLT, HHCS NC G8 FL, 1/2 X 1 1/4
6	1540107	1	BOLT, SHCS, M10 X 1.5 X 50, G12.9
7	3300028	1	TENSIONER
8	4300079	2	BUSHING, SPLIT FLARED
9	1500403	1	BOLT, MACHINED, IDLER 1/2 X 1-1/4

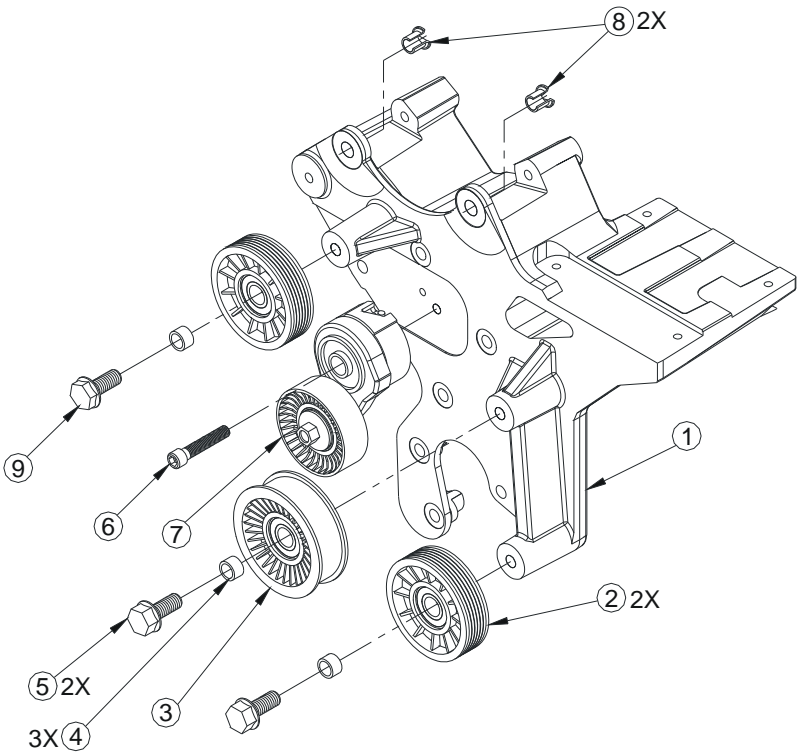


Figure 6 – Main Bracket Assembly

**VMAC – Vehicle Mounted Air Compressors**

Toll Free: 1-800-738-8622

Local: 1-250-740-3200

Fax: 1-250-740-3201

## 7 - Tank Mount Strap Assembly, 4800163

Item #	Part #	Qty	Description
1	1200236	1	BRACKET, STRAP, TANK MOUNT
2	1510349	2	BOLT, HHCS NC G8 PL, 5/16 X 1/2
3	1550066	2	NUT, HEX NC, 5/16
4	1570067	1	WASHER, SAE, 5/16
5	1570476	1	WASHER, 5/16 ID X 3/4 OD
6	2200106	1	STRAP, TANK CABLE, 16
7	2200113	1	STRAP, TANK FLAT BAR, BACKING STRAP.
8	2200133	1	CLAMP, INSULATED DOUBLE TUBE, 1/4

Note: Two assemblies per kit

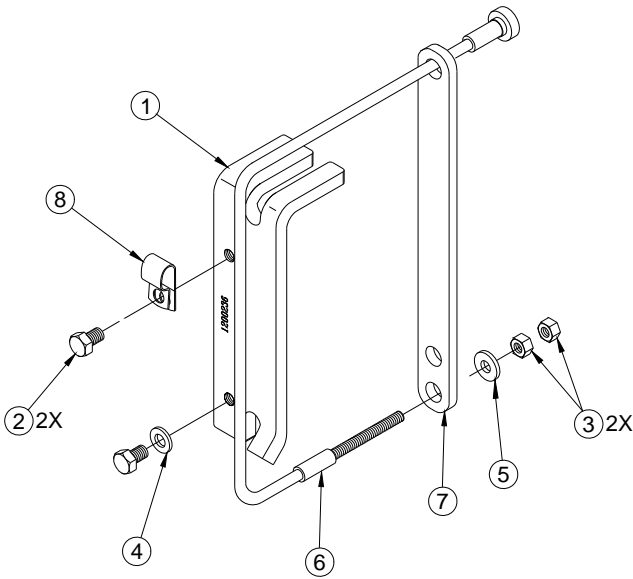


Figure 7 – Tank Mount Strap Assembly

### VMAC – Vehicle Mounted Air Compressors

Toll Free: 1-800-738-8622

Local: 1-250-740-3200

Fax: 1-250-740-3201

8 - VR70 Tank, 9200380

Item #	Part #	Qty	Description
1	1510086	6	BOLT, HHCS NC G5 FL LK, 3/8 X 1
2	1510522	2	BOLT, HHCS NC G8 FL LK PL, 1/4 X 1/2
3	3200231	1	COVER, SIGHT GLASS
4	3600036	1	ELEMENT, SEP, COALESING
5	3600064	1	SEAL, TANK REAR CAP
6	3600090	1	THIMBLE, SCREEN
7	4900033	1	CONNECTOR, STEEL NPT-JIC, 3/4-3/4
8	4900035	1	NIPPLE, STEEL STR THRD, 3/4 - 16
9	4900106	1	PLUG, STEEL, #5 ORB HEX
10	5000089	1	CONNECTOR, BRASS NPT-SAE, 3/8 - 1/2
11	5830066	1	O-RING, VITON, 4 3/4 ID X 1/8
12	5840069	1	SPRING, COMPRESSION, FL 1.5", OD .54
13	5840078	1	SPRING, WAVE
14	9200039	1	OIL FILTER, VR 3.250 SHORT
15	9200364	1	ASSEMBLY, BLOWDOWN CAP
15.1	3600054	1	VALVE, SAFETY 200 PSI
15.2	4500104	1	MUFFLER, SINTERED EXHAUST
16	A700061	1	SIGHT GLASS ASSEMBLY

**VMAC – Vehicle Mounted Air Compressors**

Toll Free: 1-800-738-8622

Local: 1-250-740-3200

Fax: 1-250-740-3201

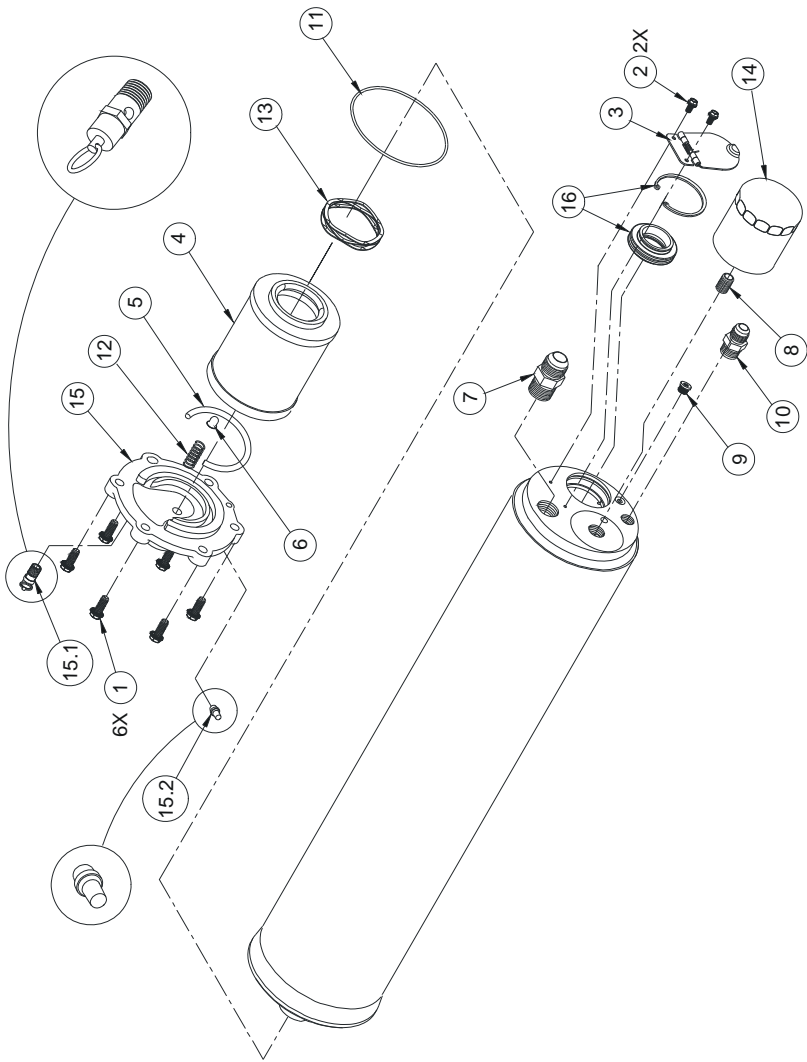


Figure 8 - VR70 Tank

**VMAC – Vehicle Mounted Air Compressors**

Toll Free: 1-800-738-8622

Local: 1-250-740-3200

Fax: 1-250-740-3201

9 – Throttle Control,GMC/CHEV 6.0L, 1999-2002, 3620065

Item #	Part #	Qty	Description
1	1200254	1	BRACKET, THROTTLE MOUNT
2	1200320	1	THROTTLE PULL
3	1200321	1	CLAMP, THROTTLE PULL
4	1200322	1	SUPPORT, THROTTLE CABLE
5	1500077	2	SCREW, BUTTON HEAD, 10 - 32 X 3/8
6	1500444	1	CLIP, E TYPE, 3/16
7	1510519	4	BOLT, HHCS NC G8 FL LK PL, 1/4X5/8
8	1570335	1	WASHER, NYLON, 1/4
9	1700055	35"	HOSE, BRAKE BLACK, 1/4
10	1700334	21"	HOSE, BRAKE RED, 1/4
11	3200070	1	NIPPLE, THROTTLE PULL CABLE
12	3200215	1	FITTING, CABLE SWIVEL
13	3620039	1	THROTTLE CONTROL, MECHANICAL
13.1	1550400	2	NUT, JAM NF, 3/8
13.2	1570032	2	WASHER, SER, 3/8
13.3	3200145	1	POPPET
13.4	3200229	1	SOLENOID
13.5	5830058	1	O-RING, 002
13.6	9200149	1	CABLE ASSEMBLY, MODIFIED
14	5000020	1	ELBOW, BRASS NPT-POLY, 1/8-1/4
15	9200193	1	TUBE, MODIFIED 1/4 TO 1/8 NPT ORIF

**VMAC – Vehicle Mounted Air Compressors**

Toll Free: 1-800-738-8622

Local: 1-250-740-3200

Fax: 1-250-740-3201

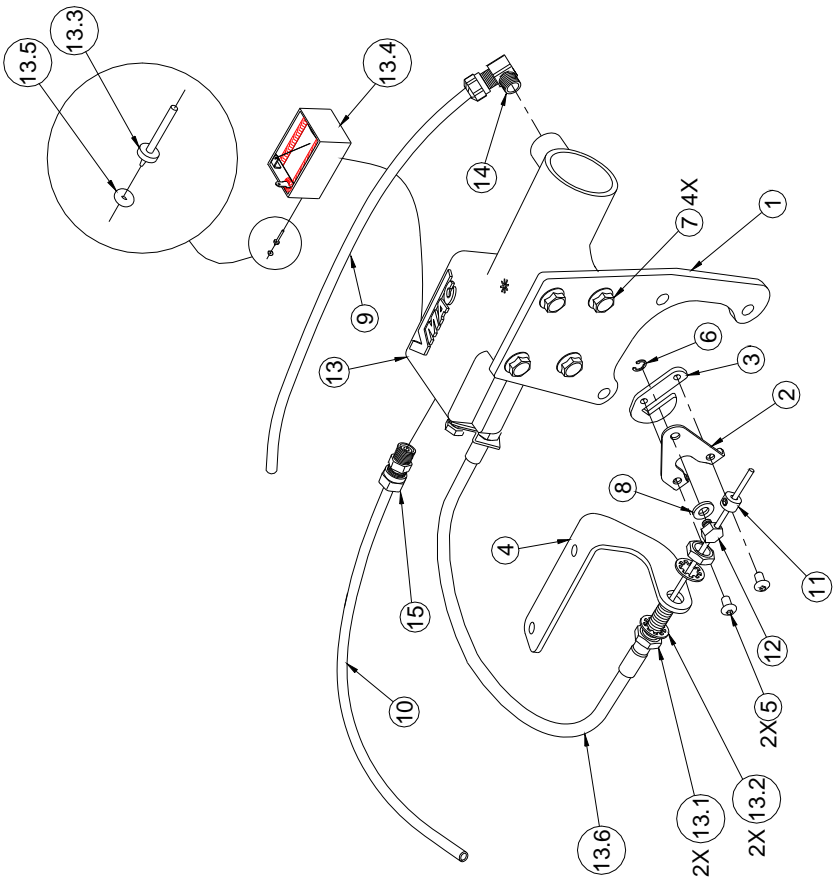


Figure 9 – Throttle Control GMC/CHEV 6.0L

**VMAC – Vehicle Mounted Air Compressors**

Toll Free: 1-800-738-8622

Local: 1-250-740-3200

Fax: 1-250-740-3201

10 - Cooler Assembly, 4800211

Item #	Part #	Qty	Description
1	1710424	1	HOSE, RADIATOR, MODIFIED 1700423
2	2200026	2	CLAMP, HOSE HS28
3	9200192	1	COOLER

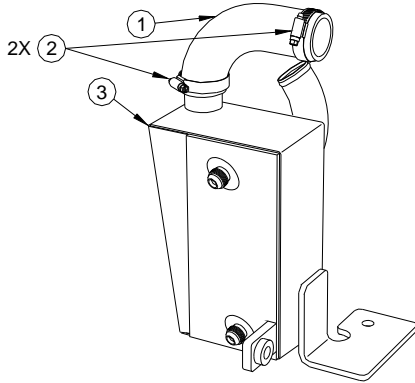


Figure 10 - Cooler Assembly

11 - Adaptor Kit, 5.3L Vortec V8 Gas, A700042

Item #	Part #	Qty	Description
1	1900662	1	MANUAL, A700042
2	1710426	1	RADIATOR HOSE

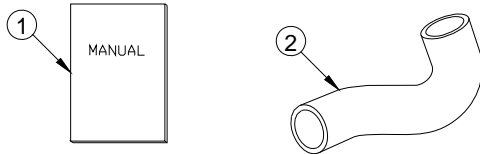


Figure 11 - Adaptor Kit, 5.3L Vortec V8 Gas

**VMAC – Vehicle Mounted Air Compressors**

Toll Free: 1-800-738-8622

Local: 1-250-740-3200

Fax: 1-250-740-3201