

# Illustrated Parts List for VMAC System V900088

## Freightliner M2 Caterpillar ACERT C7

1 - Kit Pack List, V900088.....	2
2 - Fastener Pack, 3800538.....	4
2 - Fastener Pack, 3800583 (Continued).....	6
3 - Compressor Assembly, P120101 .....	8
4 - Compressor Sub Components, P120004.....	10
5 - Inlet Valve Sub Components, 9200419 .....	11
6 - VR70 Tank, 9200380 .....	12
7 - Main Bracket Assembly, 4800474 .....	14

Document 1930124

### Changes and Revisions

Version	Revision Details	Revised by/date	Approved by/date	Implemented
-	New	YBD/12JUL06	BC/14JUL06	19JUL2006
A	ECN 06-197 pulley	IB 29 Sept 2006	SM 10 Oct 2006	12 Oct 2006
B	ECN 06-220 coal. spring	IB 22 Apr 2007	SH 23 Apr 2007	27 Apr 2007

### **VMAC – Vehicle Mounted Air Compressors**

Toll Free: 1-800-738-8622

Local: 1-250-740-3200

Fax: 1-250-740-3201

1 - Kit Pack List, V900088

Item #	Part #	Qty	Description
1	1200332	2	BACKING STRAP, 3/8
2	1200509	1	BRACKET, COOLER MOUNT
3	1200510	2	BRACKET, TANK MOUNT
4	1610340	1	BELT, K061020
5	1700561	2	HOSE, COOLANT,
6	1710663	23.5"	HOSE, FUEL 1/2" X 23.5" (1700310)
7	1710664	27"	HOSE, FUEL 1/2" X 27" (1700310)
8	1710715	1	HOSE, COOLANT MODIFIED
9	1710716	1	HOSE, COOLANT MODIFIED
10	1720632	1	TUBE, COOLER OUT
11	1720634	1	TUBE, COOLANT, UPPER RAD.
12	1720635	1	TUBE, COOLANT IN, WELDMENT
13	1730142	1	HOSE, CRIMPED, 1/4" X 142"
14	1740143	1	HOSE, CRIMPED, 5/16" X 143"
15	1752069	1	HOSE, CRIMPED, 1/2" X 69"
16	1752074	1	HOSE, CRIMPED, 1/2" X 74"
17	1780101	1	HOSE, CRIMPED, 1" X 101"
18	1800167	1	CRANK PULLEY, FORD 3126 CAT
19	1930060	1	MANUAL, OWNERS GENERIC, VR70 & 140
20	1930123	1	MANUAL, INSTALL, V900088
21	1930124	1	ILLUSTRATED PARTS LIST, V900088
22	2200105	2	CLAMP, MOUNTING BRACKET C, 6
23	3550722	1	VR CONTROL BOX, 96.0" TEMP.
24	3550736	1	INTERFACE CABLE, V900088
25	3560202	1	VRTC, V900088
26	3800583	1	FAST PACK, V900088
27	4800413	1	SYSTEM OPERATION INSTRUCTION AND ID
28	4800474	1	ASSEMBLY, MAIN BRACKET
29	9200380	1	TANK, VR70 DRESSED INT OIL FILTER
30	9200409	1	WELDMENT, COOLER
31	A700091	1	OIL, VR, 1L, HIGH PERFORMANCE
32	A700094	1	OIL, VR, 4L, HIGH PERFORMANCE
33	P120101	1	COMPRESSOR ASSEMBLY

**VMAC – Vehicle Mounted Air Compressors**

Toll Free: 1-800-738-8622

Local: 1-250-740-3200

Fax: 1-250-740-3201

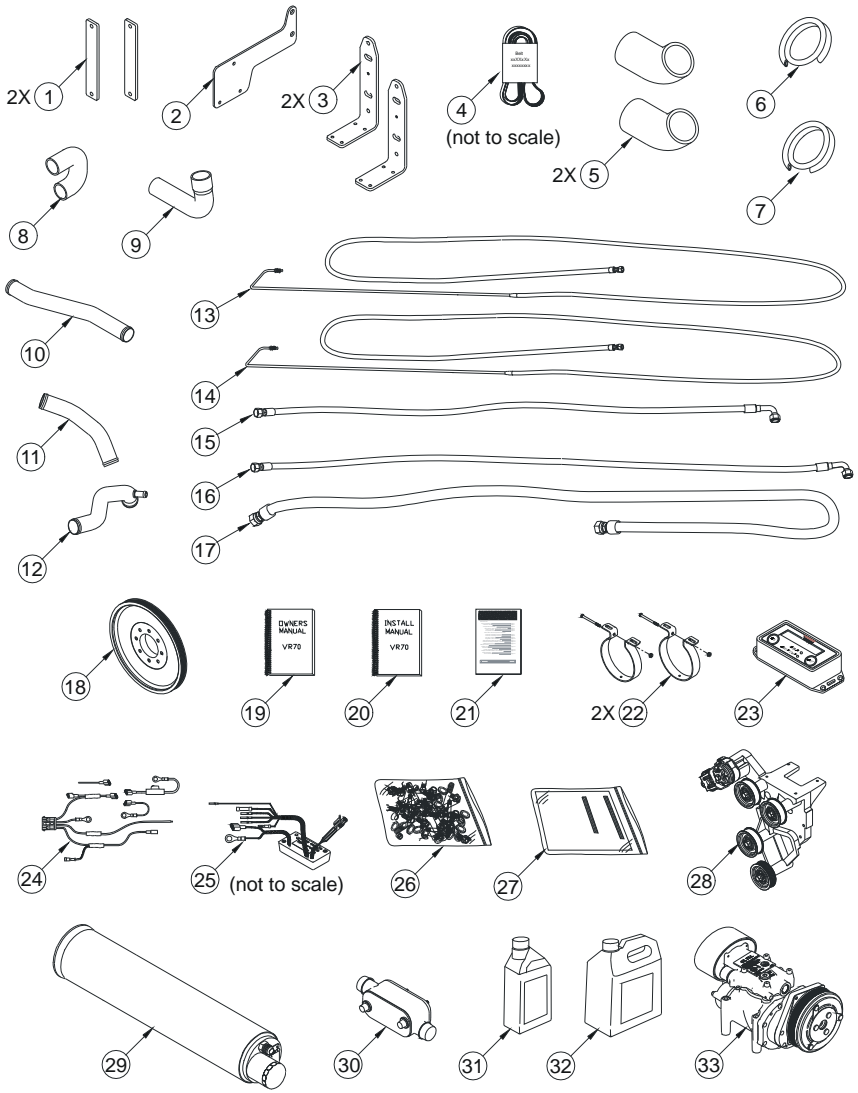


Figure 1 - Kit Pack List

**VMAC – Vehicle Mounted Air Compressors**  
 Toll Free: 1-800-738-8622  
 Local: 1-250-740-3200  
 Fax: 1-250-740-3201

2 - Fastener Pack, 3800538

Item#	Part#	Qty	Description
1	3800491	1	FASTENER PACK, CRANK PULLEY
1.1	1520116	6	BOLT, HHCS G10.9, M10 X 1.5 X 100
1.2	1570044	6	WASHER, ALLOY PL SAE, 3/8
1.3	4800482	1	ADAPTOR, PULLEY ASSEMBLY
2	3800506	1	FASTENER PACK, TANK
2.1	1510530	4	BOLT, HHCS NC G8 PL, 1/2 X 5
2.2	1520513	4	BOLT, HHCS G10.9, M8 X 1.25 X 30
2.3	1550103	4	NUT, PREVAILING TORQUE NC, 1/2
2.4	1560407	4	NUT, NYLOCK, M8
2.5	1570067	8	WASHER, SAE, 5/16
2.6	1570102	4	WASHER, FLAT SAE, 1/2
3	3800590	1	FAST PACK, MAIN BRACKET
3.1	1520538	1	BOLT, HHCS, FLHD, M10 X 1.50 X 35
3.2	1520540	1	BOLT, HHCS, FLHD, M10 X 1.50 X 55
3.3	1520552	2	BOLT, HHCS, FLHD, M10 X 1.50 X 60
4	3800591	1	FAST PACK, COOLER
4.1	1520247	1	BOLT, HHCS G10.9, M10 X 1.5 X 55
4.2	1520562	2	BOLT, HHCS G8.8, M14 X 2.0 X 30
4.3	1550006	2	NUT, NYLOCK NC PL, 3/8
4.4	1570044	2	WASHER, ALLOY PL SAE, 3/8
4.5	2200027	6	CLAMP, HOSE HS32
5	3800592	1	FAST PACK, HOSE
5.1	1510003	1	BOLT, HHCS NC G8 PL, 5/16 X 1
5.2	1510349	2	BOLT, HHCS NC G8 PL, 5/16 X 1/2
5.3	1550084	1	NUT, NYLOCK NC PL, 5/16
5.4	1570067	2	WASHER, SAE, 5/16
5.5	1710699	1	HOSE, HEATER 3/4" X 46" (1700177)
5.6	2200027	2	CLAMP, HOSE HS32
5.7	2200029	2	CLAMP, HOSE HS10
5.8	2200046	1	CLAMP, STRAP, 1 5/8
5.9	2200133	2	CLAMP, INSULATED DOUBLE TUBE, 1/4
5.10	2200147	1	CLAMP, C R.I., 2"
5.11	4900026	1	CONNECTOR, STEEL O-RING, 1/2-3/4-16
5.12	4900117	1	JIC 90 DEG STEEL, SWIVEL, 3/8 -3/8
5.13	5000113	1	CONNECTOR, BRASS NPT-HOSE, 1/2-3/4

**VMAC – Vehicle Mounted Air Compressors**

Toll Free: 1-800-738-8622

Local: 1-250-740-3200

Fax: 1-250-740-3201

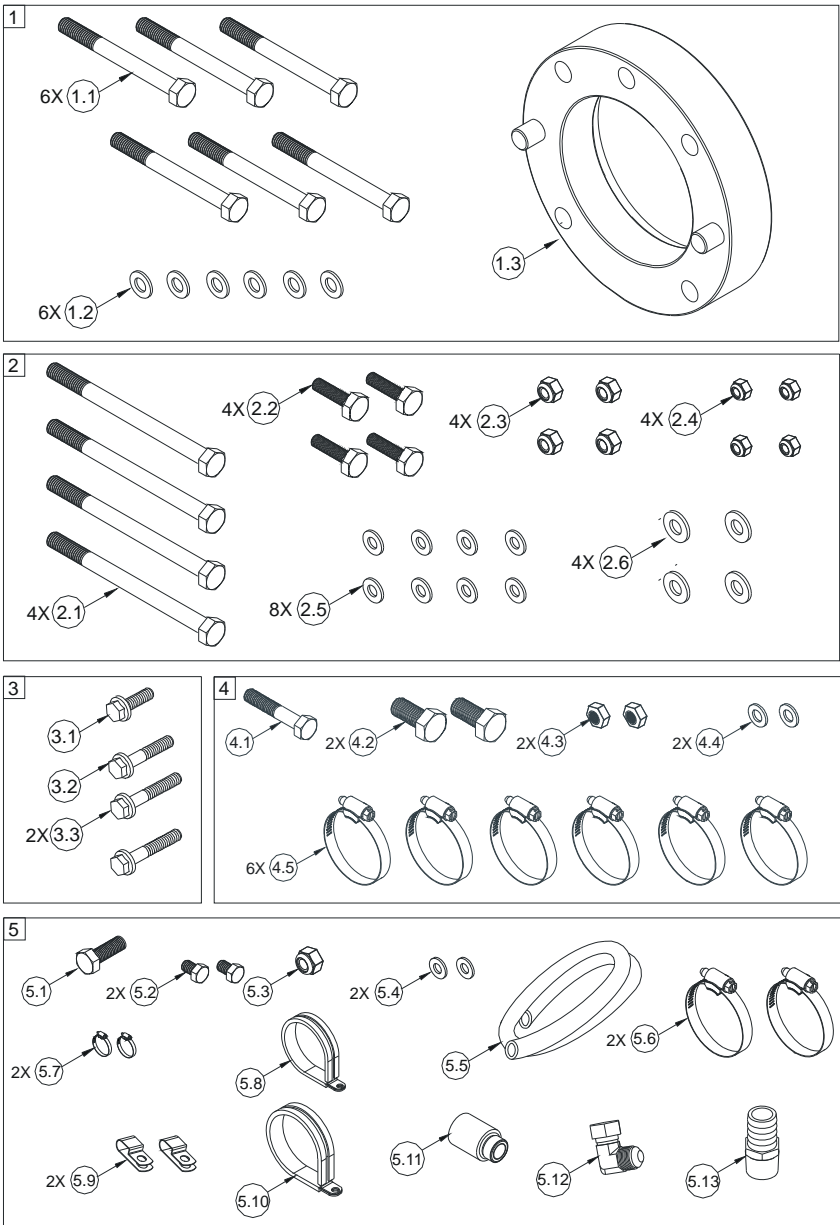


Figure 2 – Fastener Packs

**VMAC – Vehicle Mounted Air Compressors**

Toll Free: 1-800-738-8622

Local: 1-250-740-3200

Fax: 1-250-740-3201

2 - Fastener Pack, 3800583 (Continued)

Item#	Part#	Qty	Description
6	3800593	1	FAST PACK, HOOD
6.1	1200512	2	BLOCK, HOOD
6.2	1510004	8	BOLT, HHCS NC G8 PL, 3/8 X 2
6.3	1570044	8	WASHER, ALLOY PL SAE, 3/8
7	3800594	1	FAST PACK, POWER STEERING RESERVOIR
7.1	1400288	3	SPACER, POWER STEERING RESERVOIR
7.2	1510004	3	BOLT, HHCS NC G8 PL, 3/8 X 2
7.3	1570044	3	WASHER, ALLOY PL SAE, 3/8
8	3800595	1	FAST PACK, FAN
8.1	1500606	5	STUD, FAN 3/8-24 X 1 1/2"
8.2	1550441	5	NUT, HEX NF, 3/8
8.3	1570044	5	WASHER, ALLOY PL SAE, 3/8
8.4	3400064	1	SPACER, FAN
9	3800596	1	FAST PACK, FUEL FILTER MOUNT
9.1	1520013	1	BOLT, HHCS G10.9, M10 X 1.5 X 35
9.2	1570044	1	WASHER, ALLOY PL SAE, 3/8
10	3800597	1	FAST PACK, WIRING LOOM
10.1	1700029	200"	LOOM, SPLIT PLASTIC, 1/2"
10.2	1700068	72"	LOOM, SPLIT PLASTIC, 1/4"
10.3	2200039	20	TIE, NYLON MD, 7"

**VMAC – Vehicle Mounted Air Compressors**

Toll Free: 1-800-738-8622

Local: 1-250-740-3200

Fax: 1-250-740-3201

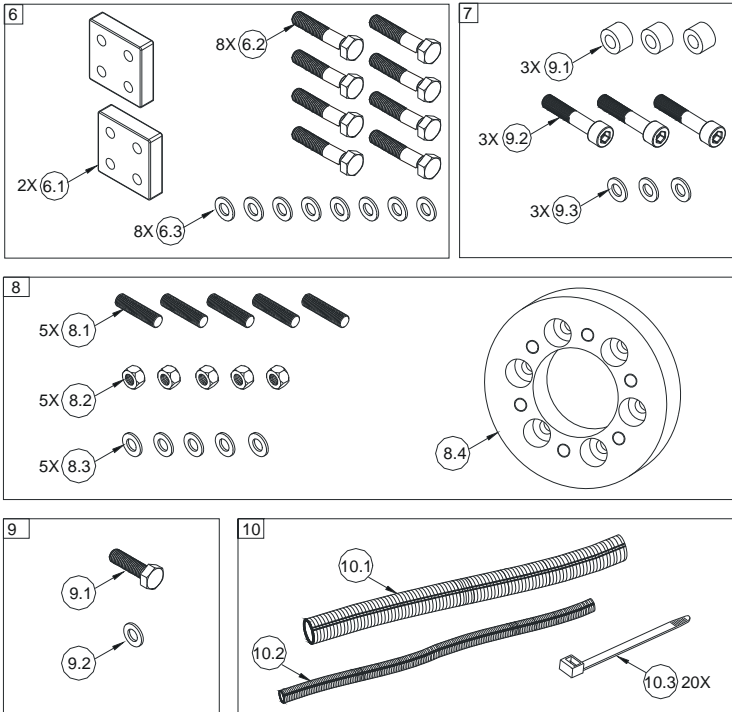


Figure 2 – Fastener Packs (Cont.)

### 3 - Compressor Assembly, P120101

Item #	Part #	Qty	Description
1	1540521	4	BOLT, SHCS, M8 X 1.25 X 110
2	1540530	2	BOLT, SHCS, M8 X 1.25 X 55, G12.9
3	1540550	2	BOLT, SHCS, M8 X 1.25 X 50, G12.9
4	3500288	1	SENSOR, PRESSURE
5	4300076	1	PIPE FTG, PLUG SKT HEAD, 1/8
6	4900002	1	ELBOW, STEEL JIC/O-RING, 1/2 3/4-16
7	4900045	1	PLUG, STEEL HEX SAE/O-RING PORT
8	5000081	1	ELBOW, BRASS NPT-TUBE, 1/8-5/16
9	5000085	1	ELBOW, BRASS NPT-SAE 45 DEG, 1/8-1/4
10	5000112	1	ELBOW, BRASS STREET 45 DEG, 1/8
11	5830004	1	O-RING, VITON, 3 1/8 ID X 1/8
12	5830005	1	O-RING, VITON, 11/16 ID X 3/32
13	9200419	1	INLET VALVE, BASIC INTEGRATED REG.
14	P120004	1	VR70 COMPRESSOR ASSEMBLY

**VMAC – Vehicle Mounted Air Compressors**

Toll Free: 1-800-738-8622

Local: 1-250-740-3200

Fax: 1-250-740-3201



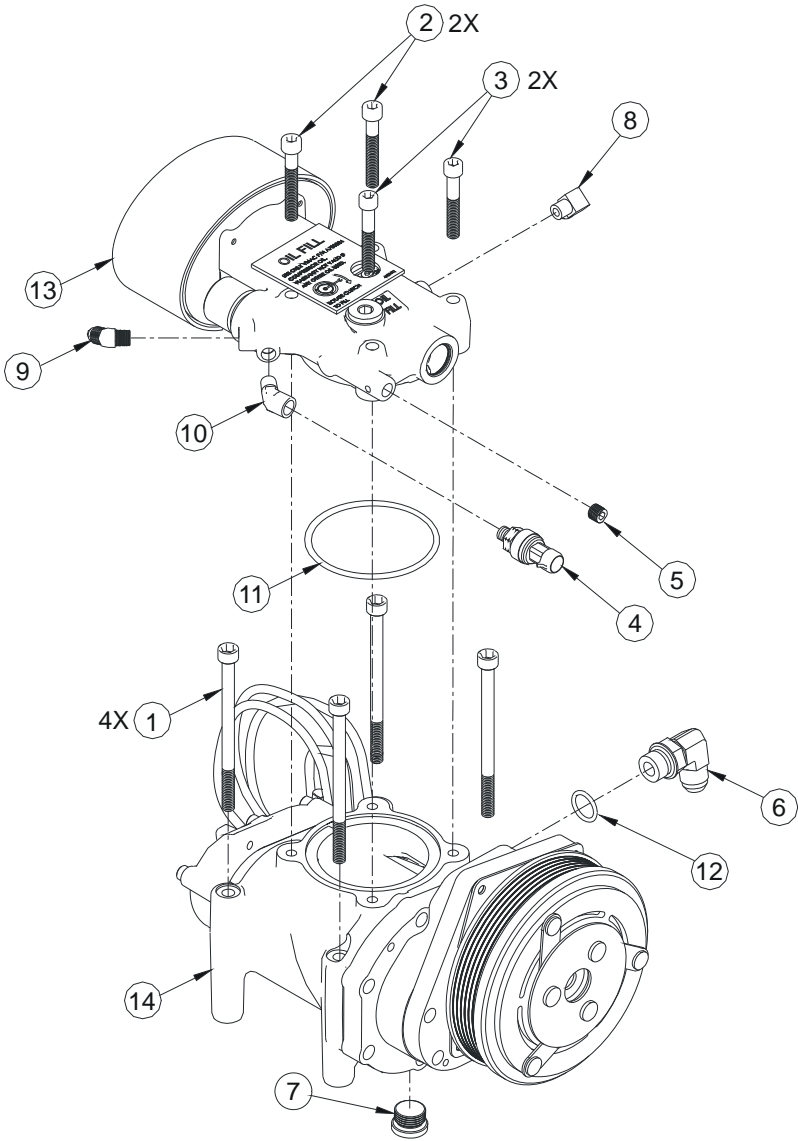


Figure 3 – Compressor Assembly

**VMAC – Vehicle Mounted Air Compressors**

Toll Free: 1-800-738-8622

Local: 1-250-740-3200

Fax: 1-250-740-3201

#### 4 - Compressor Sub Components, P120004

Item #	Part #	Qty	Description
1	3550682	1	TEMPERATURE PROBE
2	P200035	1	CLUTCH COMPLETE 6 GROVE

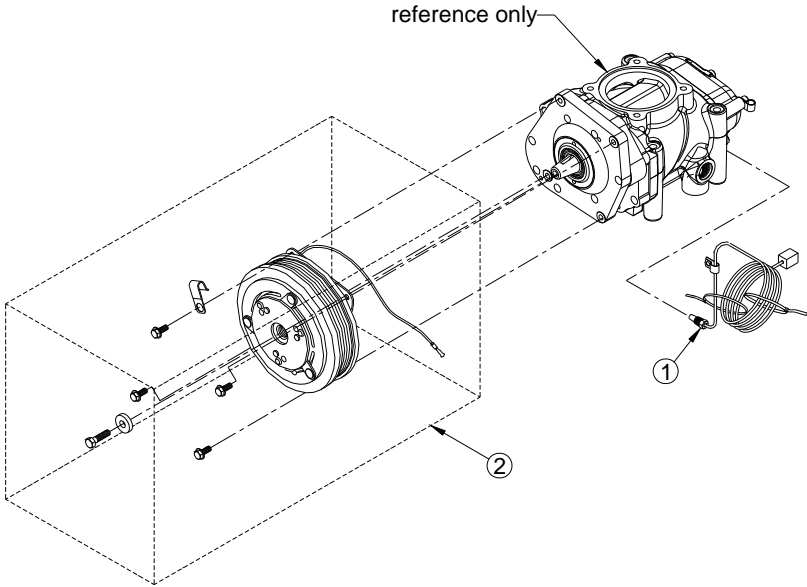


Figure 4– Compressor Sub Components

**VMAC – Vehicle Mounted Air Compressors**

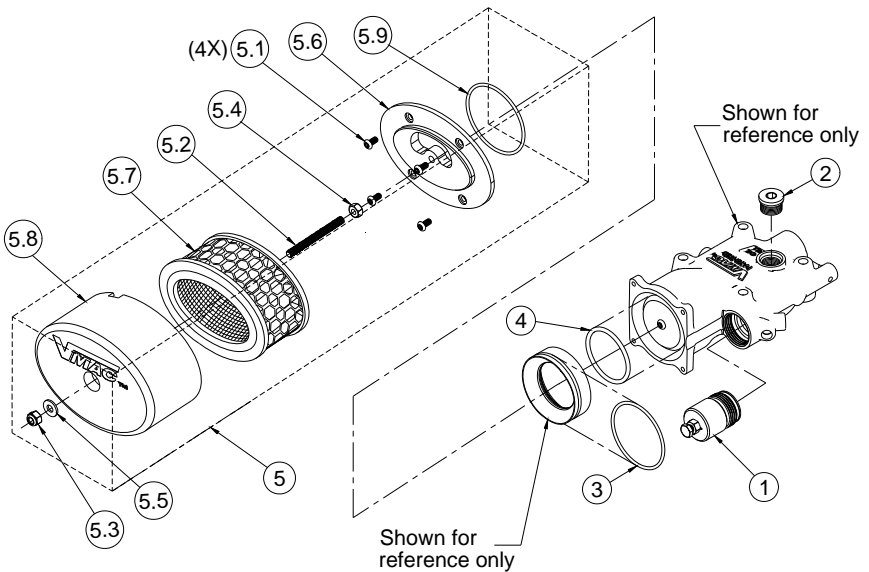
Toll Free: 1-800-738-8622

Local: 1-250-740-3200

Fax: 1-250-740-3201

## 5 - Inlet Valve Sub Components, 9200419

Item #	Part #	Qty	Description
1	3600046	1	REGULATOR VALVE
2	4900045	1	PLUG
3	5830002	1	O-RING, VITON, 2 3/8 ID X 3/32
4	5830129	1	O-RING, VITON, 1 7/8 ID X 3/16
5	A700049	1	FILTER KIT ASSEMBLY
5.1	1500077	4	SCREW, BUTTON HEAD, 10 - 32 X 3/8
5.2	1500519	1	ROD, THREADED, 1/4 X 2.62
5.3	1550029	1	NUT, NYLOCK NC, 1/4
5.4	1550221	1	NUT, HEX NC PL, 1/4, GR8
5.5	1570038	1	WASHER, FLAT SAE, 1/4
5.6	3200205	1	PLATE, INNER FILTER
5.7	3600037	1	ELEMENT, FILTER, PAPER
5.8	3600066	1	COVER, AIR FILTER, PLASTIC
5.9	5830070	1	O-RING, VITON, 2 9/16 ID X 3/32



**Figure 5 – Inlet Valve Sub Components**

**VMAC – Vehicle Mounted Air Compressors**

Toll Free: 1-800-738-8622

Local: 1-250-740-3200

Fax: 1-250-740-3201

6 - VR70 Tank, 9200380

Item #	Part #	Qty	Description
1	1510086	6	BOLT, HHCS NC G5 FL LK, 3/8 X 1
2	1510522	2	BOLT, HHCS NC G8 FL LK PL, 1/4 X 1/2
3	3200231	1	COVER, SIGHT GLASS
4	3600036	1	ELEMENT, SEP, COALESING
5	3600064	1	SEAL, TANK REAR CAP
6	3600090	1	THIMBLE, SCREEN
7	4900033	1	CONNECTOR, STEEL NPT-JIC, 3/4-3/4
8	4900035	1	NIPPLE, STEEL STR THRD, 3/4 - 16
9	4900106	1	PLUG, STEEL #5 ORB HEX
10	5000089	1	CONNECTOR, BRASS NPT-SAE, 3/8 - 1/2
11	5830066	1	O-RING, VITON, 4 3/4 ID X 1/8
12	5840069	1	SPRING, COMPRESSION, FL 1.5", OD .54
13	5840078	1	SPRING, WAVE
14	9200039	1	OIL FILTER, VR 3.250 SHORT
15	9200364	1	ASSEMBLY, BLOWDOWN CAP
15.1	3600054	1	VALVE, SAFETY 200 PSI
15.2	4500104	1	MUFFLER, SINTERED EXHAUST
16	A700061	1	SIGHT GLASS ASSEMBLY

**VMAC – Vehicle Mounted Air Compressors**

Toll Free: 1-800-738-8622

Local: 1-250-740-3200

Fax: 1-250-740-3201

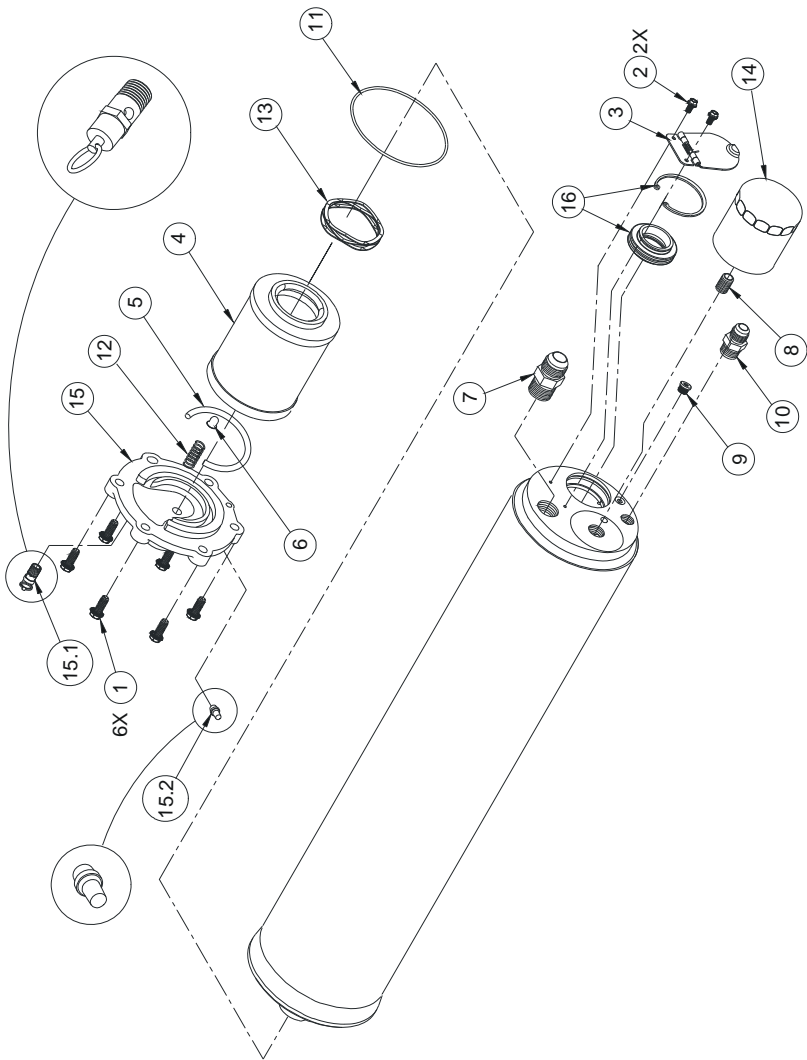


Figure 6 - VR70 Tank

**VMAC – Vehicle Mounted Air Compressors**

Toll Free: 1-800-738-8622

Local: 1-250-740-3200

Fax: 1-250-740-3201

## 7 - Main Bracket Assembly, 4800474

Item #	Part #	Qty	Description
1	1100172	1	BRACKET, MAIN V900088
2	1300030	1	IDLER, SERP,6 RIB,FLANGE,90MM STEEL
3	1300031	3	IDLER, SERP, BACK,FLANGE,90MM STEEL
4	1400051	4	SPACER, IDLER - BOLT
5	1510161	4	BOLT, HHCS NC G8 FL, 1/2 X 1 1/4
6	1520210	1	BOLT, HHCS G10.9, M10 X 1.5 X 80
7	1570044	1	WASHER, ALLOY PL SAE, 3/8
8	2600112	1	TENSIONER, MODIFIED, (3300024)

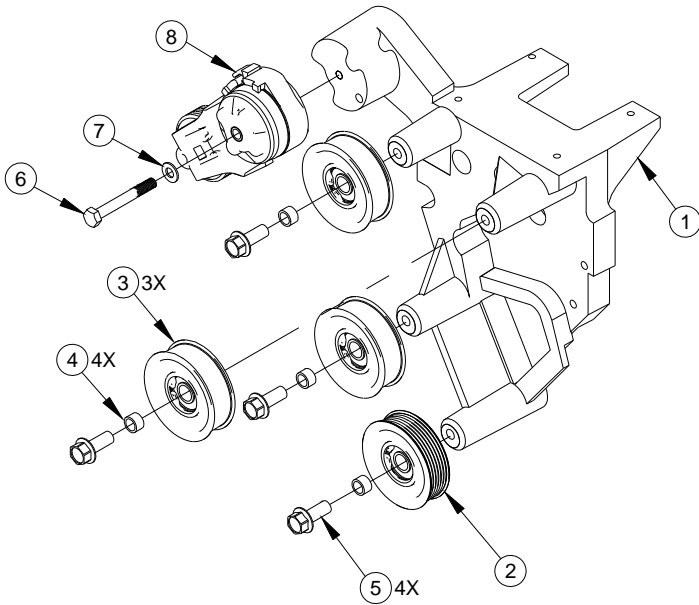


Figure 7 – Main Bracket Assembly

**VMAC – Vehicle Mounted Air Compressors**

Toll Free: 1-800-738-8622

Local: 1-250-740-3200

Fax: 1-250-740-3201