

Illustrated Parts List for VMAC System V90075

**Ford 7.3L F250 - F350SD 1999-2003.25
W/WOAC**

1 - Kit Pack List	2
2 - Fastener Pack, 3800462.....	4
3 - Compressor Assembly, P120107	6
4 - Compressor Sub Components, P120002	8
5 - Inlet Valve Sub Components, 9200419	9
6 - Main Bracket Assembly, 4800320	10
7 - Tank Mount Strap Assembly, 4800509.....	11
8 - VR70 Tank, 9200430	12
9 - Cooler Assembly, 4800298.....	14
10 - Adaptor Kit, 1999-2001.25 Model Year, A700120.....	15

**Document 1930112
Changes and Revisions**

Version	Revision Details	Revised by/date	Approved by/date	Implemented
-	New Format	YBD/07NOV05	SM/01DEC05	07DEC2005
A	Intercooler tube	SM/05MAY2006	SM/05MAY2006	08MAY2006
B	ECN 06-220 Coal. Spring	IB 25 Apr 2007	SH 27 Apr 2007	31 Apr 2007
C	ECN 07-145	OIB 02 Oct-07	MH 19 Nov 2007	23 Nov 2007

VMAC – Vehicle Mounted Air Compressors
 Toll Free: 1-800-738-8622
 Local: 1-250-740-3200
 Fax: 1-250-740-3201

1 - Kit Pack List

Item #	Part #	Qty	Description Item
1	1200299	1	CLIP, TANK MOUNT
2	1650231	1	BELT, 5060750
3	1710252	1	HOSE, UPPER RAD FORD MODIFIED
4	1752042	1	HOSE, CRIMPED, 1/2" X 42"
5	1752086	1	HOSE, CRIMPED, 1/2" X 86"
6	1771057	1	HOSE, CRIMPED, 3/4" X 57"
7	1800146	1	PULLEY, CRANK FORD 7.3 DI MACHINING
8	1930058	1	MANUAL, INSTALLATION
9	1930060	1	MANUAL, OWNERS GENERIC, VR70 & 140
10	1930112	1	ILLUSTRATED PARTS LIST
11	2200105	2	CLAMP, MOUNTING BRACKET C, 6
12	3550723	1	VR CONTROL BOX, 132.0" TEMP
13	3550676	1	DDC, FORD PRNDL SWITCH
14	3800462	1	FASTENER PACK
15	4800509	2	STRAP, TANK MOUNT ASSY
16	4800298	1	COOLER
17	4800320	1	BRACKET, CAST, FORD 7.3 DI
18	4800413	1	SYSTEM OPERATION INSTRUCTION AND ID
19	4800478	1	ASSEMBLY, TUBE, INTERCOOLER 7.3 DI
20	9200430	1	TANK, VR70 DRESSED INT OIL FILTER
21	A700091	1	OIL, VR, 1L, HIGH PERFORMANCE
22	A700094	1	OIL, VR, 4L, HIGH PERFORMANCE
23	P120107	1	COMPRESSOR ASSEMBLY

VMAC – Vehicle Mounted Air Compressors

Toll Free: 1-800-738-8622

Local: 1-250-740-3200

Fax: 1-250-740-3201

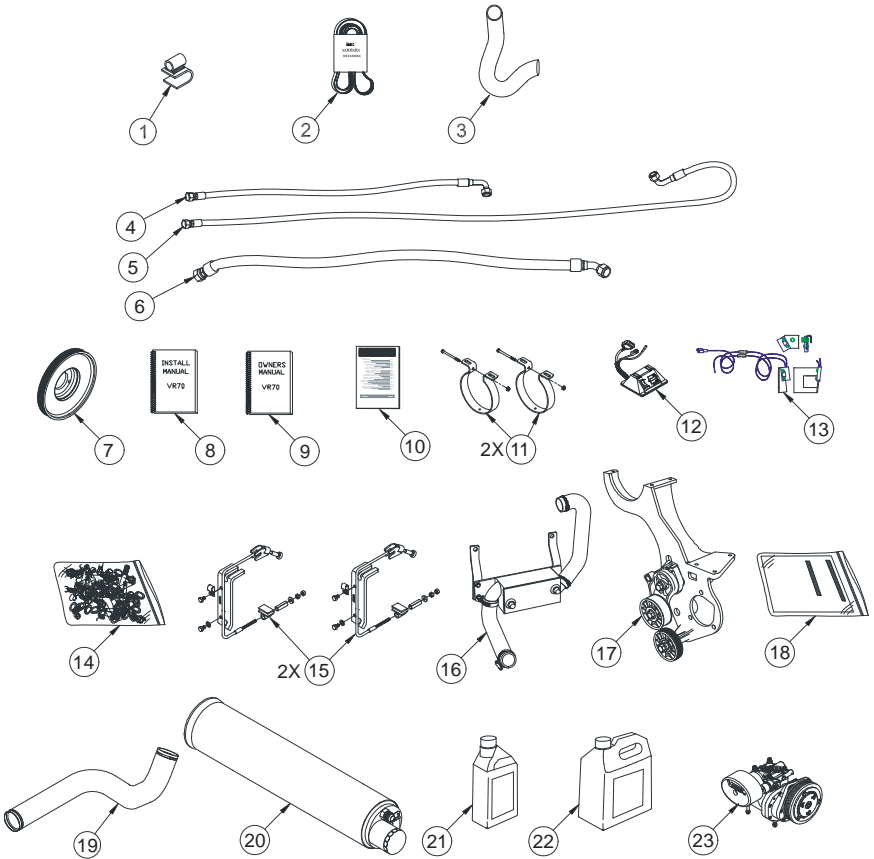


Figure 1 - Kit Pack List

2 - Fastener Pack, 3800462

Item #	Part #	Qty	Description
1	3800143	1	FASTENER PACK, COOLER
1.1	1520159	2	BOLT, HHCS G10.9, M12 X 1.75 X 30
1.2	1570089	2	WASHER, EXT SERR, M12
2	3800187	1	FASTENER PACK, PULLEY
2.1	1540145	3	BOLT, SHCS, M10 X 1.5 X 20
3	3800336	1	FASTENER PACK, P/S - RAD HOSE
3.1	1710580	1	HOSE, PUSH ON, 3/8 X 36"(1700030)
3.2	2200001	2	CLAMP, HOSE MH-6
3.3	2200018	5	TIE, NYLON MD, 11
3.4	2200019	5	TIE, NYLON MD, 5"
3.5	2200026	2	CLAMP, HOSE HS28
4	3800463	1	FASTENER PACK, COOLER, ALT LEG
4.1	1200252	1	COOLER, ALTERNATE LEG
4.2	1510182	2	BOLT, HHCS NC G8 PL, 5/16 X 1 1/4
4.3	1520419	1	BOLT, HHCS G10.9, M12 X 1.75 X 80
4.4	1570048	1	WASHER, ALLOY PL SAE, 7/16
5	3800464	1	FASTENER PACK, COOLANT SPIGOT
5.1	1720593	1	SPIGOT
6	3800659	1	FASTENER PACK
6.1	1700570	103.5	TUBE, TEFLON, PTFE, 1/4"OD X 3/16"ID
6.2	1700571	105.5	TUBE, TEFLON, PTFE, 3/16"OD X 1/8"ID
6.3	1700581	105.5	LOOM, SPLIT PLASTIC, 1/4, HIGH TEMP
6.4	1700581	103.5	LOOM, SPLIT PLASTIC, 1/4, HIGH TEMP
6.5	2200039	10	TIE, NYLON MD, 7"

VMAC – Vehicle Mounted Air Compressors

Toll Free: 1-800-738-8622

Local: 1-250-740-3200

Fax: 1-250-740-3201

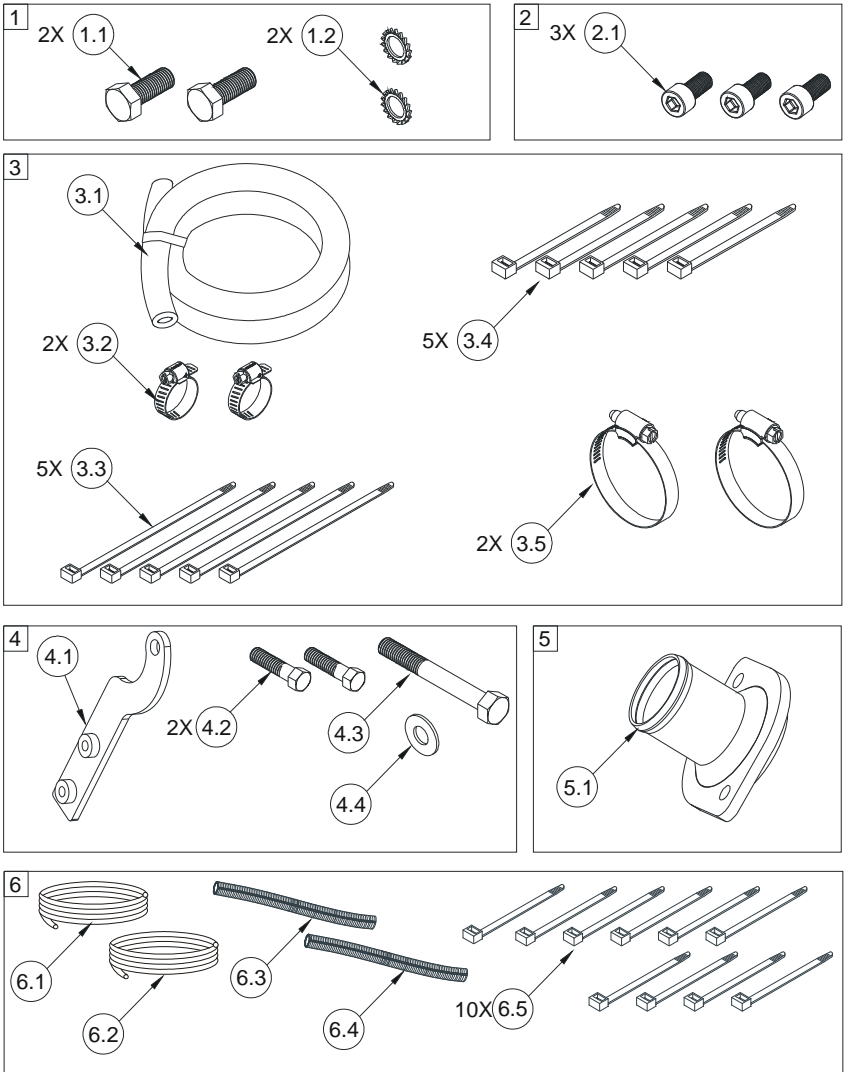


Figure 2 – Fastener Packs

3 - Compressor Assembly, P120107

Item #	Part #	Qty	Description
1	1500399	3	STUD, M8 X 1.25 X 38
2	1540530	2	BOLT, SHCS, M8 X 1.25 X 55, G12.9
3	1540550	2	BOLT, SHCS, M8 X 1.25 X 50, G12.9
4	1560508	3	NUT, W/DBL SER WASHER, M8 X 1.25
5	3500288	1	SENSOR, PRESSURE
6	4300076	1	PIPE FTG, PLUG SKT HEAD, 1/8
7	5000074	1	ELBOW, BRASS NPT-TUBE, 1/2-1/2
8	5000020	1	ELBOW, BRASS NPT-POLY, 1/8-1/4"
9	5000165	1	ELBOW ,90, BRASS NPT-POLY, 1/8-3/16"
10	5000112	1	ELBOW, BRASS STREET 45 DEG, 1/8
11	5830002	1	O-RING, VITON, 2 3/8 ID X 3/32
12	5830004	1	O-RING, VITON, 3 1/8 ID X 1/8
13	5830045	1	O-RING, VITON, 3/4 ID X 3/32
14	9200103	1	FITTING, BLANK PLATE
15	9200104	1	PLATE, BLANKING
16	9200419	1	ASSEMBLY, INLET CONTROL VALVE
17	P120002	1	COMPRESSOR, VR70

VMAC – Vehicle Mounted Air Compressors

Toll Free: 1-800-738-8622

Local: 1-250-740-3200

Fax: 1-250-740-3201

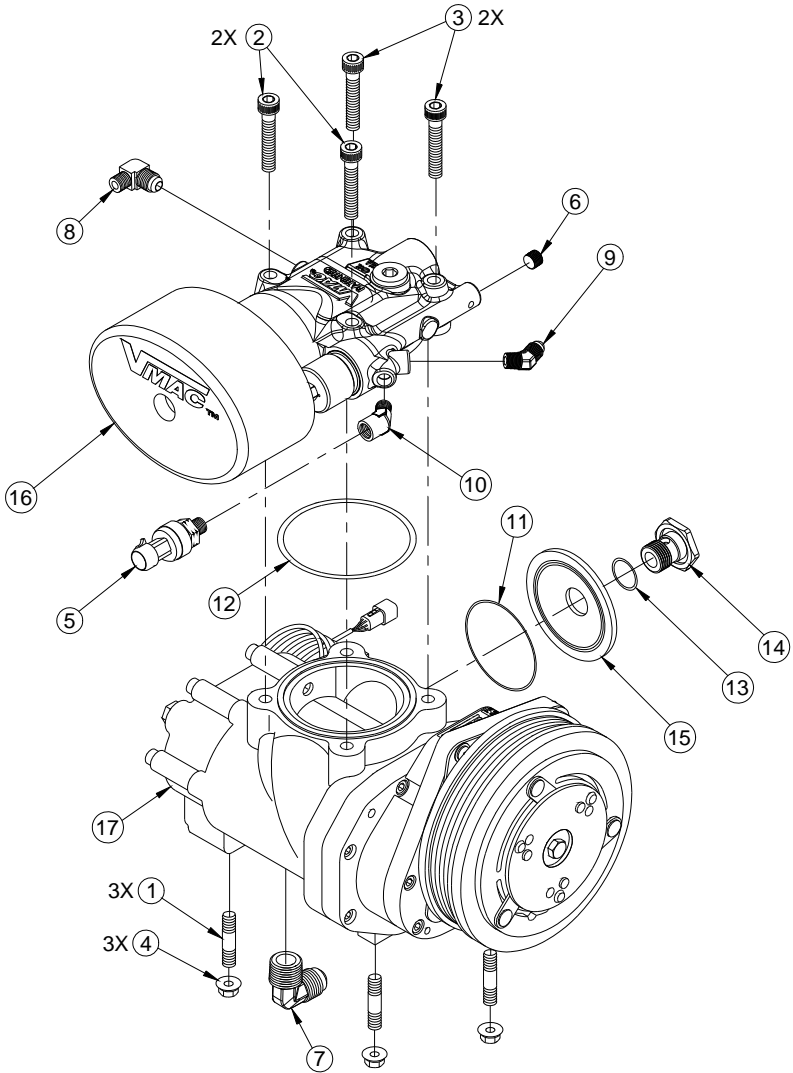


Figure 3 – Compressor Assembly

4 - Compressor Sub Components, P120002

Item #	Part #	Qty	Description
1	3550682	1	TEMPERATURE PROBE
2	P200035	1	CLUTCH COMPLETE 6 GROOVE

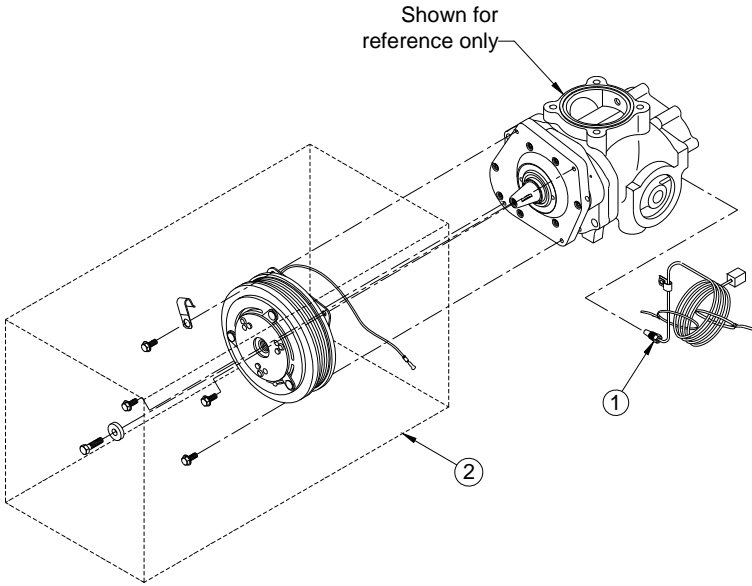


Figure 4– Compressor Sub Components

VMAC – Vehicle Mounted Air Compressors

Toll Free: 1-800-738-8622

Local: 1-250-740-3200

Fax: 1-250-740-3201

5 - Inlet Valve Sub Components, 9200419

Item #	Part #	Qty	Description
1	3600046	1	REGULATOR VALVE
2	4900045	1	PLUG
3	5830002	1	O-RING, VITON, 2 3/8 ID X 3/32
4	5830129	1	O-RING, VITON, 1 7/8 ID X 3/16
5	A700049	1	FILTER KIT ASSEMBLY
5.1	1500077	4	SCREW, BUTTON HEAD, 10 - 32 X 3/8
5.2	1500519	1	ROD, THREADED, 1/4 X 2.62
5.3	1550029	1	NUT, NYLOCK NC, 1/4
5.4	1550221	1	NUT, HEX NC PL, 1/4, GR8
5.5	1570038	1	WASHER, FLAT SAE, 1/4
5.6	3200205	1	PLATE, INNER FILTER
5.7	3600037	1	ELEMENT, FILTER, PAPER
5.8	3600066	1	COVER, AIR FILTER, PLASTIC
5.9	5830070	1	O-RING, VITON, 2 9/16 ID X 3/32

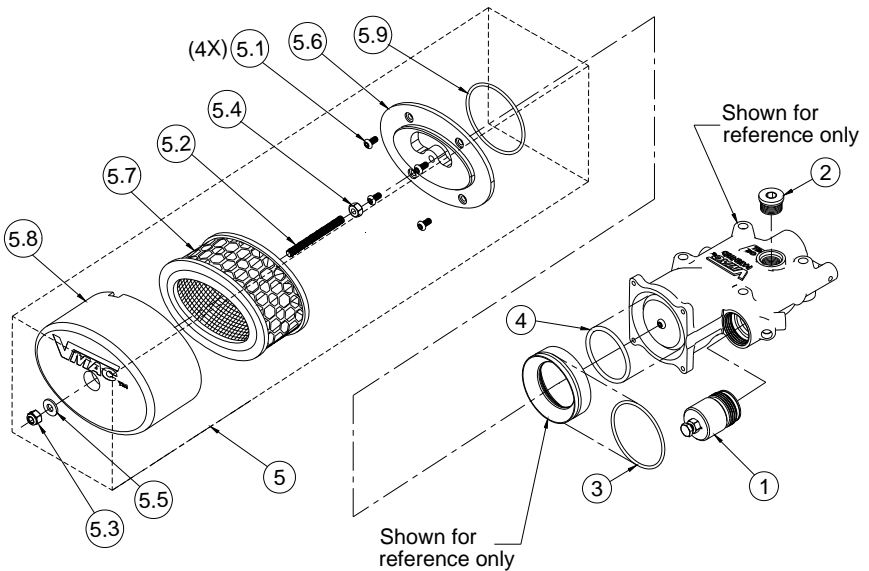


Figure 5 – Inlet Valve Sub Components

VMAC – Vehicle Mounted Air Compressors

Toll Free: 1-800-738-8622

Local: 1-250-740-3200

Fax: 1-250-740-3201

6 - Main Bracket Assembly, 4800320

Item #	Part #	Qty	Description
1	1100138	1	BRACKET, FORD 7.3
2	1300031	1	IDLER, SERP, BACK,FLANGE,90MM STEEL
3	1300030	1	IDLER, SERP,6 RIB,FLANGE,90MM STEEL
4	1400051	1	SPACER, IDLER - BOLT
5	1400129	1	SPACER, IDLER
6	1510161	1	BOLT, HHCS NC G8 FL, 1/2 X 1 1/4
7	1520419	1	BOLT, HHCS G10.9, M12 X 1.75 X 80
8	1570048	1	WASHER, ALLOY PL SAE, 7/16
9	2600075	1	TENSIONER, NO IDLER (3300016)

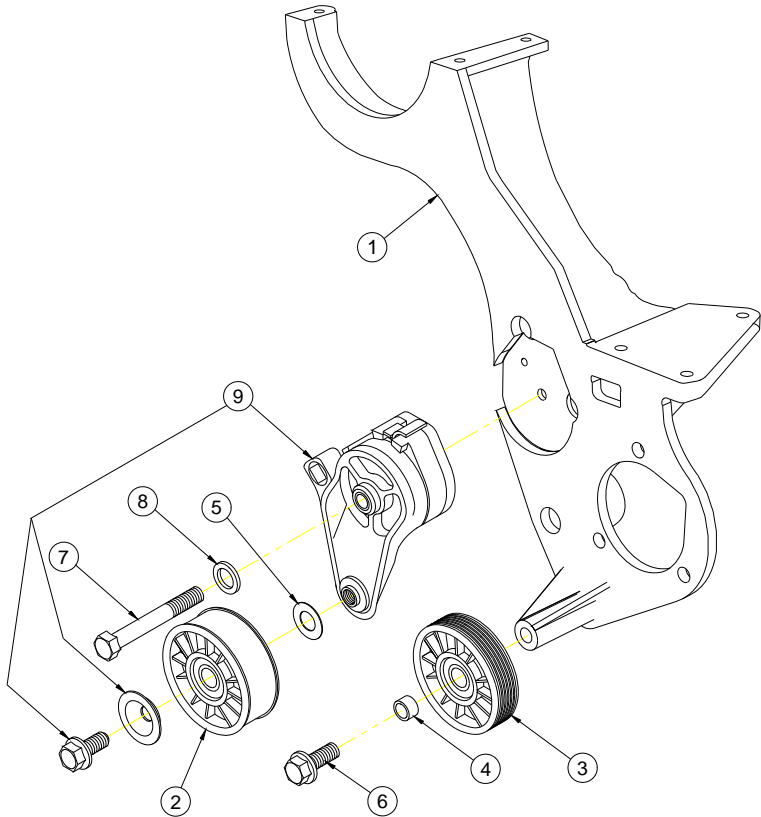


Figure 6 – Main Bracket Assembly

VMAC – Vehicle Mounted Air Compressors

Toll Free: 1-800-738-8622

Local: 1-250-740-3200

Fax: 1-250-740-3201

7 - Tank Mount Strap Assembly, 4800509

Item #	Part #	Qty	Description
1	1200236	1	BRACKET, STRAP, TANK MOUNT
2	1200266	1	BRACKET, TANK MOUNT CLIP
3	1200296	1	BRACKET, TANK MOUNT
4	1400162	1	SPACER, CABLE
5	1510349	2	BOLT, HHCS NC G8 PL, 5/16 X 1/2
6	1550066	2	NUT, HEX NC, 5/16
7	1570067	2	WASHER, SAE, 5/16
8	1570476	1	WASHER, 5/16 ID X 3/4 OD
9	2200120	1	STRAP, TANK CABLE, 17

Note: Two assemblies per kit

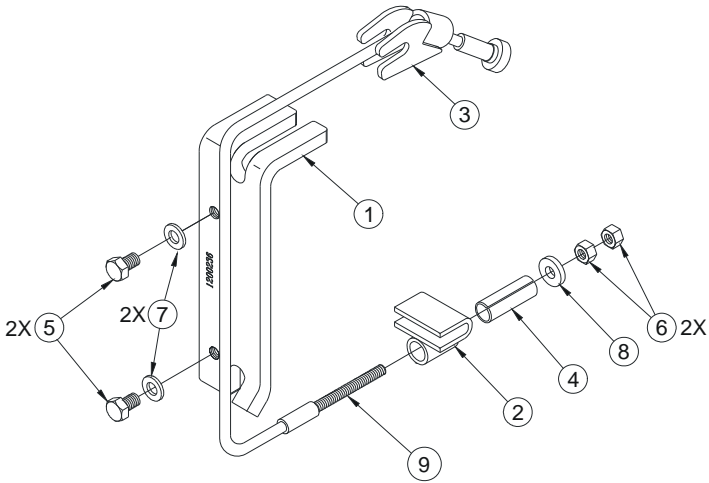


Figure 7 – Tank Mount Strap Assembly

VMAC – Vehicle Mounted Air Compressors

Toll Free: 1-800-738-8622

Local: 1-250-740-3200

Fax: 1-250-740-3201

8 - VR70 Tank, 9200430

Item #	Part #	Qty	Description
1	1510086	6	BOLT, HHCS NC G5 FL LK, 3/8 X 1
2	1510522	2	BOLT, HHCS NC G8 FL LK PL, 1/4 X 1/2
3	3200231	1	COVER, SIGHT GLASS
4	3600064	1	SEAL, TANK REAR CAP
5	3600090	1	THIMBLE, SCREEN
6	4900033	1	CONNECTOR, STEEL NPT-JIC, 3/4-3/4
7	4900035	1	NIPPLE, STEEL STR THRD, 3/4 - 16
8	4900106	1	PLUG, STEEL, #5 ORB, HEX
9	5000020	1	ELBOW, BRASS NPT-POLY, 1/8-1/4"
10	5000089	1	CONNECTOR, BRASS NPT-SAE, 3/8 - 1/2
11	5000165	1	ELBOW,90, BRASS NPT-POLY, 1/8-3/16"
12	5000170	1	FITTING, 3/8 TUBE- 1/8 NPT
13	5000171	1	FITTING, 7/16 TUBE- 1/8 NPT
14	5830066	1	O-RING, VITON, 4 3/4 ID X 1/8
15	5840069	1	SPRING, COMPRESSION, FL 1.5",OD .54
16	9200039	1	OIL FILTER, VR 3.250 SHORT
17	9200364	1	ASSEMBLY, BLOWDOWN CAP
17.1	3600054	1	VALVE, SAFETY, 3/8, 200 PSI
17.2	4500104	1	MUFFLER, SINTERED EXHAUST, 1/8"
18	9200378	1	TANK, OIL SEPARATOR
19	A700061	1	SIGHT GLASS ASSEMBLY
20	A700152	1	ELEMENT, SEP, COALESCING

VMAC – Vehicle Mounted Air Compressors

Toll Free: 1-800-738-8622

Local: 1-250-740-3200

Fax: 1-250-740-3201

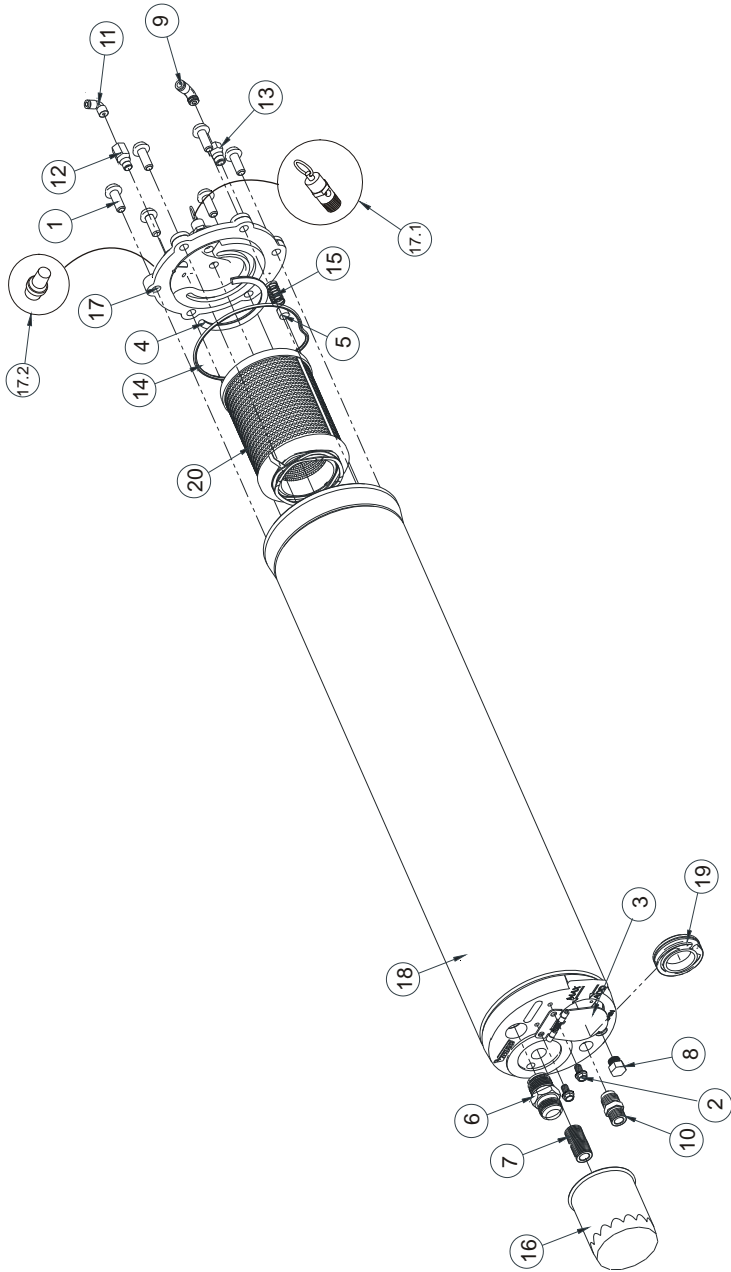


Figure 8 - VR70 Tank

9 - Cooler Assembly, 4800298

Item #	Part #	Qty	Description
1	1200253	1	BRACKET, COOLER STANDARD LEG
2	1510003	2	BOLT, HHCS NC G8 PL, 5/16 X 1
3	1550084	2	NUT, NYLOCK NC PL, 5/16
4	1570067	4	WASHER, SAE, 5/16
5	1710418	1	HOSE, RAD MODIFIED (FROM 1700160)
6	1710643	1	HOSE, RAD, MODIFIED
7	2200027	4	CLAMP, HOSE HS32
8	9200224	1	COOLER

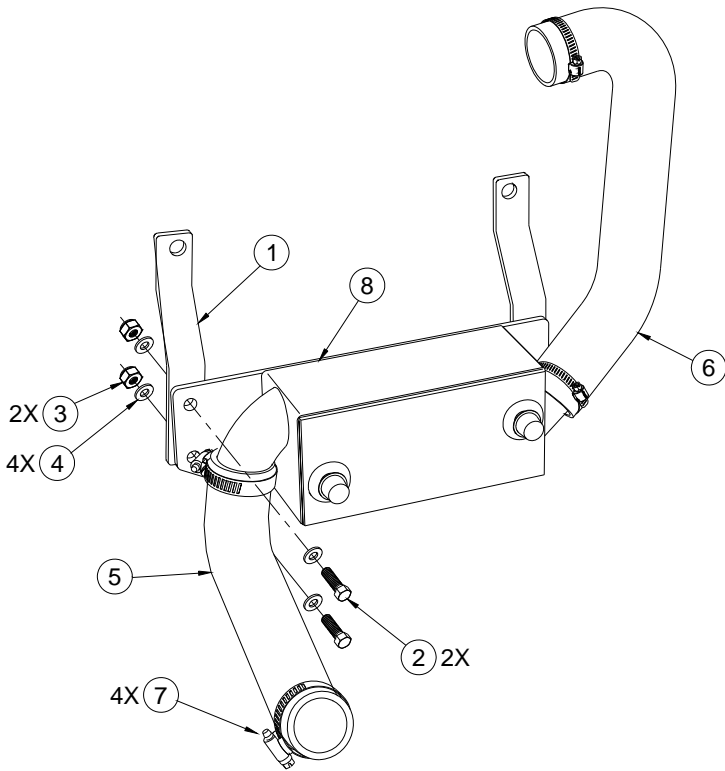


Figure 9 - Cooler Assembly

VMAC – Vehicle Mounted Air Compressors

Toll Free: 1-800-738-8622

Local: 1-250-740-3200

Fax: 1-250-740-3201

10 - Adaptor Kit, 1999-2001.25 Model Year, A700120

Item #	Part #	Qty	Description
1	1900833	1	MANUAL, INSTALLATION ACC A700120
2	3560038	1	THROTTLE CONTROL,FORD 7.3 SD 99-00

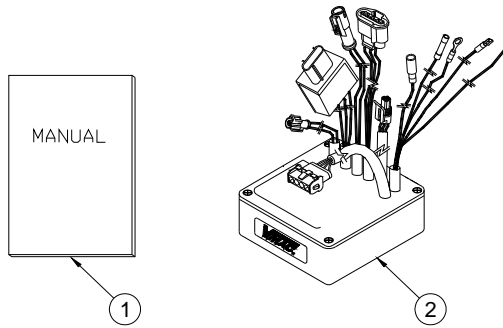


Figure 10 - Adaptor Kit, 1999-2001.25 Model Year

11 - Adaptor Kit, 2001.25-2003.25 Model Year, A700121

Item #	Part #	Qty	Description
1	1900834	1	MANUAL, INSTALLATION ACC A700121
2	3560074	1	THROTTLE CONTROL,FORD 7.3 SD 2001

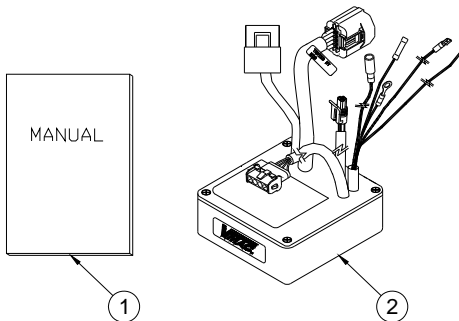


Figure 11 - Adaptor Kit, 2001.25-2003.25 Model Year

VMAC – Vehicle Mounted Air Compressors

Toll Free: 1-800-738-8622

Local: 1-250-740-3200

Fax: 1-250-740-3201