

VMAC[®]

AIR INNOVATED.[®]



**Gas Engine Driven 25 CFM Air
Compressor with Generator
Installation, Owner's and Service
Manual
G300005**

www.vmacair.com

Table of Contents

| | |
|--|------------|
| General Information | 3 |
| Safety | 4 |
| Safety Precautions..... | 5 |
| Warranty | 9 |
| G300005 Installation Manual..... | 11 |
| Installation Requirements | 13 |
| Ventilation Requirements | 14 |
| Mounting Locations..... | 15 |
| Mounting the Compressor | 17 |
| G300005 Owner's Manual | 21 |
| Safety Features..... | 23 |
| Identifying Your System..... | 25 |
| Operating Principles | 26 |
| Extreme Climates and Elevation..... | 28 |
| System Components and Specifications..... | 30 |
| System Controls and Features | 32 |
| Before Starting the G30 | 33 |
| Starting the Engine | 34 |
| Compressor and Generator Operating Instructions | 40 |
| Stopping the Engine | 42 |
| Recommended Accessories | 43 |
| Air Receiver Tank | 44 |
| Setup, Performance Testing and Adjustments | 45 |
| Engine rpm Adjustment..... | 46 |
| Maintenance Schedule and General Maintenance Information..... | 47 |
| Engine Maintenance and Warranty Information..... | 50 |
| Maintenance and Repair Safety | 51 |
| Regular Inspection Instructions | 52 |
| 200 Hour / 6 Month Service Compressor Service | 58 |
| 400 Hour / 1 Year Service Compressor Service | 61 |
| 300 Hour Engine Service..... | 64 |
| Diagnostics and Trouble Shooting | 66 |
| System Adjustments..... | 74 |
| Compressor Regulation and Throttle Actuator Testing..... | 78 |
| Electrical Components and Testing | 86 |
| Component Repair / Replacement | 89 |
| Accessory Products from VMAC..... | 102 |
| G300005 Illustrated Parts List (IPL) | 105 |
| Warranty Registration..... | 120 |

Document: 1930454
Changes and Revisions

| Revision | Revision Details | Revised by | Checked by | | | | Implemented |
|----------|--|------------|------------|-------|-------|-------|--------------|
| | | | Eng. | | Tech. | Qual. | |
| | | | Mech. | Elec. | | | |
| C | ECN: 23-153 Update IPL | MSP | IRC | N/A | MSP | N/A | 10 Jul. 2023 |
| D | ECN: 24-031 Update IPL | MSP | IRC | N/A | MSP | N/A | 20 Mar. 2024 |
| E | ECN: 21-195 Tapered shaft update / ECN: 22-220: Update IPL | MSP | GJM | N/A | MSP | LPH | 2 May 2024 |

Additional Application Information

Note: This system is EPA certified and legal for use in 49 states. This system is not CARB certified.

- VMAC recommends installing the Cold Climate Kit (P/N: A500044) if this unit will be used in temperatures below 0 °C (32 °F).
- Refer to the Honda GX390 Owner's Manual (VMAC P/N: 1901066) for engine specific information.

Registered Trademarks

All trademarks mentioned in this manual are the property of their respective owners. VMAC's use of manufacturers' trademarks in this manual is for identification of the products only and does not imply any affiliation to, or endorsement of said companies.

Loctite®, **Loctite® 242**, **Loctite® 425** and **Loctite® 567** are registered trademarks of Henkel AG & Company KGaA.

Honda® is a registered trademark of Honda Motor Co., Ltd.

Important Information

The information in this manual is intended for certified VMAC installers who have been trained in installation and service procedures and/or for anyone with mechanical trade certification who has the tools and equipment to properly and safely perform the installation or service. Do not attempt installation or service without the appropriate mechanical training, knowledge and experience.

Follow all safety precautions. Any fabrication for correct fit in modified vehicles must follow industry standard "best practices".

Notice

Copyright © 2022 VMAC Global Technology Inc. All Rights Reserved. These materials are provided by VMAC for informational purposes only, without representation or warranty of any kind, and VMAC shall not be liable for errors or omissions with respect to the materials. The only warranties for VMAC products and services are those set forth in the express warranty statements accompanying such products and services, if any, and nothing herein shall be construed as constituting an additional warranty. Printing or copying of any page in this document in whole or in part is only permitted for personal use. All other use, copying or reproduction in both print and electronic form of any part of this document without the written consent of VMAC is prohibited. The information contained herein may be changed without prior notice.

Printed in Canada

General Information

Introduction

This manual provides operating instructions, specifications, adjustment, maintenance and warranty information for the Gas Engine Driven 30 CFM Air Compressor (G30). Read this manual prior to servicing or operating the compressor system.

Follow all safety precautions when servicing or operating the VMAC system as moving fan blades and other rotating components pose an extreme hazard.

Proper service and repair are important to the safety of the operator and the safe, reliable operation of the equipment. Always use genuine VMAC replacement parts.

The procedures described in this manual are the only approved methods of service and operation.

Ordering Parts

To order parts, contact a VMAC dealer. The dealer will ask for the VMAC System ID (see page 25), part number, description and quantity. Locate the nearest dealer online at <https://www.vmacair.com/support/find-a-dealer> or call (877) 912-6605.



Additional Support

Additional resources such as installation manuals, illustrated parts lists, the VMAC Knowledge Base, air tool consumption guides, etc. are available at <https://www.vmacair.com/support/>.



Safety

Important Safety Notice

The information contained in this manual is based on sound engineering principles, research, extensive field experience and technical information. Information is constantly changing with the addition of new models, assemblies, service techniques and running OEM changes. If a discrepancy is found in this manual, contact VMAC Technical Support prior to initiating or proceeding with installation, service or repair. Current information may clarify the issue. Anyone with knowledge of such discrepancies, who proceeds to perform service and repair, assumes all risks.

Only proven service procedures are recommended. Anyone who departs from the specific instructions provided in this manual must first ensure that their safety and that of others is not being compromised, and that there will be no adverse effects on the operational safety or performance of the equipment.

VMAC will not be held responsible for any liability, consequential damages, injuries, loss or damage to individuals or to equipment as a result of the failure of anyone to properly adhere to the procedures set out in this manual or standard safety practices.

Safety should be the first consideration when performing any service operations. If there are any questions concerning the procedures in this manual, or more information is required, please contact VMAC Technical Support prior to beginning work.

Safety Messages

This manual contains various warnings, cautions and notices that must be observed to reduce the risk of personal injury during installation, service or repair and the possibility that improper installation, service or repair may damage the equipment or render it unsafe.



This symbol is used to call attention to instructions concerning personal safety. Watch for this symbol; it points out important safety precautions, it means, "Attention, become alert! Your personal safety is involved". Read the message that follows and be aware of the possibility of personal injury or death. As it is impossible to warn of every conceivable hazard, common sense and industry standard safety practices must be observed.



This symbol is used to call attention to instructions on a specific procedure that if not followed may damage or reduce the useful life of the compressor or other equipment.



This symbol is used to call attention to additional instructions or special emphasis on a specific procedure.

Safety Precautions



As it is impossible to warn of every possible hazard that may result from operating this system, common sense and industry standard safety practices must be observed.

Read this information before operating the compressor for the first time. Follow the information and procedures in this manual for operation, maintenance and repair. Observe the following items to reduce the chance of personal injury or equipment damage.

Follow all safety precautions for mechanical work. Moving belts and rotating components are an extreme hazard. Stay clear of all moving parts when the system is operating. Only qualified personnel should perform maintenance and repair on system components and only while the system is properly shut down.

Proper service and repair are important to the safety of the service technician and the safe, reliable operation of the equipment. Always use genuine VMAC replacement parts.

The procedures described in this service manual are effective methods of service and repair. Some procedures may require the use of tools specially designed for a specific purpose. Anyone using a replacement part, service procedure or tool must first determine that neither their safety nor the safe operation of the equipment will be compromised by the replacement part, service procedure or tool selected.



Personal Safety

- Do not breathe the compressor air. Vaporized oil is a respiratory hazard.
- Do not breathe engine exhaust, internal combustion engines produce carbon monoxide, a poisonous odorless gas which can cause death. Do not start or operate this compressor in an enclosed area.
- Always use the appropriate personal protective equipment, particularly eye and hearing protection when operating air powered equipment.



Burn Hazard

- The engine, exhaust and the compressor system get very hot during operation, contact with the components or the oil can cause serious injury. Allow sufficient time for the system to cool prior to performing service.
- Avoid contact with the engine or compressor components until the system has cooled sufficiently.



Fire and Explosion Hazard

- Vaporized oil propelled by high pressure air is an explosive mixture.
- Fire in the compressor can cause an explosion and flame projection. Should this occur, there is potential for serious injury or death.
- Operate the compressor in a well ventilated area free of flammable vapors, dust, or other combustible materials.
- Do not refuel the engine while the system is running or hot.
- Do not refuel the engine in an enclosed space or area with poor ventilation.
- If fuel is spilled, clean the area and wait for it to dry before starting the engine.
- Never place objects against or on top of the compressor.
- Never expose the system to extreme heat.



Lead Acid Battery Hazard

Working near lead acid batteries is dangerous. Batteries may generate sulphuric acid and explosive gases during regular operation. Lead acid batteries may explode if exposed to a spark.

- Follow all safety precautions when jump starting or charging a battery.
- Never attempt to jump start a frozen battery.
- Never overcharge a battery.



Compressor Air and Oil Hazard

- The compressor system is under sufficient pressure that a leak could force the air/oil mixture through the skin directly into your bloodstream. This could cause serious injury or death.
- Ensure the system is completely depressurized before attempting maintenance or repair.
- Do not use compressed air to clean off clothing or skin, compressed air can penetrate the skin causing serious injury or death.
- Do not move or service the compressor while it is pressurized or operating.
- Do not move the compressor by pulling on any hoses.
- Components and hoses under pressure could separate suddenly, fly out and cause serious injury or death. If equipped, the air receiver tank must be drained before servicing any components in the compressor system.
- Never adjust or attempt to make any repairs to the system while the engine is running. Components and hoses under pressure could fail and cause serious injury or death.



Moving Parts Hazard

- Before performing service, disconnect the negative battery cable and the spark plug wire to prevent unexpected engine start.
- Do not operate the compressor without guards in place. If the guards are damaged or missing, replace them before operating the equipment.



Burst Hazard

This system is designed to generate air pressure up to 150 psi during normal operation (factory default: 135 psi):

- Serious injury or death may result from an air tank explosion.
- Never exceed manufacturer's maximum air pressure rating.
- Do not repair components, only replace with approved parts.
- Do not tamper with, or disable factory safety equipment.



Harmful Vapours

Breathing fuel vapours or engine exhaust can expose you to chemicals known to the State of California to cause cancer and birth defects or other reproductive harm.

- Always start and operate the engine in a well ventilated area.
- Do not breathe engine exhaust. Internal combustion engines produce carbon monoxide, a poisonous odorless gas which can cause death. Do not start or operate this system in an enclosed area.
- If in an enclosed area, vent the exhaust to the outside and ensure there is adequate access to fresh breathable air.



Electrical Shock Hazard

- Do not operate the generator in wet conditions (including wet weather or if hands and feet are wet).
- Do not operate the generator with damaged electrical cords or equipment.
- Prior to use, ensure the ground fault circuit interrupter (GFCI) is functioning properly.
- Prior to use, ensure the 20 A breakers are functioning properly.
- Do not operate the generator with any covers removed.



Electrical Shock Hazard (Generator)

Generator voltage is potentially deadly. Any time the system is operating, the generator is producing up to 240 Volts AC and can cause an electrical shock (regardless of whether equipment is plugged into the receptacles or not).

General Warnings



- Disconnect the spark plug lead prior to attempting any repair or service.
- Be attentive for unexplained changes in operation parameters and record any changes.
- Check the engine and compressor oil levels and condition prior to starting the system.
- Do not add or change oil while the system is running.
- Use only approved oils.
- Inspect the equipment before every use.
- The compressor may operate anytime the engine is running. Avoid contact with the compressor, hoses, or engine during operation.
- Keep hoses and wiring away from hot, sharp, or moving components.
- Use only approved hoses and replacement parts.
- Do not modify the equipment.
- Do not operate this system unless this manual has been read in its entirety.
- Do not operate this system when fatigued or under the influence of alcohol or drugs.
- Never bypass or disable any of the safety equipment.
- Never adjust or attempt to make any repairs to this system while the engine is running unless expressly instructed to do so.
- Components and hoses under pressure could fail and cause serious injury or death.

Warranty

VMAC Standard Warranty (Limited)

For complete warranty information, including both VMAC Standard Warranty (Limited) and VMAC Lifetime Warranty (Limited) requirements, please refer to our current published warranty located at: www.vmacair.com/warranty



If you do not have access to a computer, please contact us and we will be happy to send you our warranty.

VMAC's warranty is subject to change without notice.

VMAC Lifetime Warranty (Limited)

A VMAC Lifetime Limited Warranty is offered on the base air compressor only and only on UNDERHOOD®, Hydraulic Driven, Transmission Mounted, Gas and Diesel Engine Driven Air Compressors, Multifunction Power Systems, and other products as defined by VMAC, provided that (i) the purchaser fully completes and submits a warranty registration form within 3 months of purchase, or 200 hours of operation, whichever occurs first; (ii) services are completed in accordance with the Owner's Manual; (iii) proof of purchase of applicable service kits are made available to VMAC upon request.



The VMAC Lifetime Warranty is applicable to new products shipped on or after 1 October, 2015.

Warranty Registration

The VMAC warranty registration form is located near the back of this manual. This warranty registration form must be completed and sent to VMAC at the time of installation for any subsequent warranty claim to be considered valid.

There are 4 ways the warranty can be registered with VMAC:



<https://www.vmacair.com/support/warranty-registration>



warranty@vmacair.com



(877) 740-3202



VMAC - Vehicle Mounted Air Compressors
1333 Kipp Road, Nanaimo, BC, Canada V9X 1R3

VMAC Warranty Claim Process



VMAC warranty work must be pre-authorized by VMAC. Claims are processed via our dealer network. If you are not a VMAC dealer, please select one to work with via our Dealer Locator: <https://www.vmacair.com/support/find-a-dealer>



- 1) Communicate with VMAC Technical Support at [\(888\) 241-2289](tel:8882412289) or tech@vmacair.com to help diagnose/troubleshoot the problem prior to repair. VMAC technical support will require the VMAC System ID, and hours on the compressor.
- 1) VMAC will provide direction for repair or replacement of the failed components.
- 1) If requested, failed parts must be returned to VMAC for evaluation.
- 1) Dealers may login to the VMAC website to view the "VMAC Labour Time Guide" (under "Agreements") to see the allowable warranty labour times.
- 1) Warranty invoices must include the Service Ticket number, VMAC System ID#, hours on the compressor, and a detailed description of the work performed.
- 1) VMAC Warranty does not cover consequential damages, loss of income, overtime charges, mileage, travel time, towing/recovery, cleaning or shop supplies.
- 1) Dealers submit warranty claims on behalf of the Vehicle Owner/End User affected by the defective part(s). The dealer ensures that all warranty credits are refunded back to the Vehicle Owner/End User who made the initial warranty claim.



In order to qualify for Lifetime Warranty (Limited), the completed warranty registration form must be received by VMAC within 3 months of the buyer receiving the Product(s), or 200 hours of operation, whichever occurs first.

If the completed warranty registration form has not been received by VMAC within 3 months of the buyer receiving the Product(s), or 200 hours of operation, the "Standard" warranty period will be deemed to commence 30 days from the date of shipment from VMAC.

Failure to follow the warranty claim process may result in denial of the warranty claim.

VMAC Product Warranty Policies & Warranty Registration can be found on the VMAC website (see previous page for URL).

VIMAC[®]

AIR INNOVATED[®]



G300005 Installation Manual

Installation Requirements



Read pages 2 – 10 of this manual prior to installation or operation of the G30.



The information in this section is very important for proper operation of the compressor. Read these requirements prior to beginning the installation.

When determining a mounting location for the G30, ensure the following conditions are met (Figure 1):

- The fuel shut off valve is easily accessible (the fuel valve must be shut off when the unit is not in use, including during transport).
- The sight glass, oil drain and filters on the WHASP Tank are easily accessible for service.
- The belt guard is accessible and can be removed for service.
- The engine oil drain, oil fill, fuel fill, and air filter are easily accessible for service (the VMAC Remote Oil Drain accessory can help facilitate servicing the engine and compressor oil P/N: A500043).
- There is adequate access to cool fresh air for optimum engine performance.
- There is sufficient clearance around the unit for good air circulation and effective cooling.
- The unit is mounted in a position where hot air and exhaust will not recirculate back into the system.
- The unit is protected from damage and excessive exposure to the elements.
- The unit is away from heat sources such as engines, exhaust systems or other components that generate heat.
- The unit is not in a location where it will be exposed to high contamination levels, including combustible gases.
- The exhaust is routed to open air and not orientated in a way that will fill with rain.

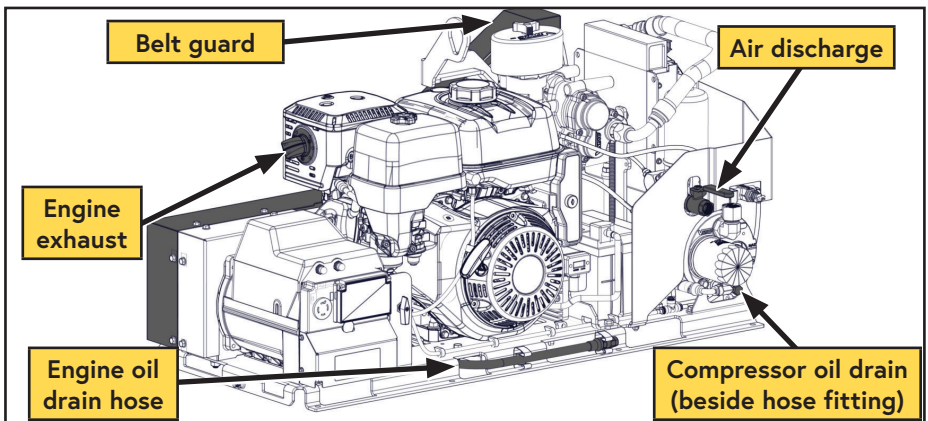


Figure 1 — Installation considerations

Ventilation Requirements



Adequate ventilation is vital for safety as well as proper operation of the engine. Systems without adequate cooling may experience stalling, premature oil deterioration, increased oil consumption, power loss, and reduced life or failure of the engine and/or compressor.

If the compressor overheats, the temperature switch will shut down and disable the engine until the oil temperature drops below 140 °C (284 °F).

During operation, the G30 generates a considerable amount of heat that must be evacuated away from the unit for it to run efficiently. The engine is air cooled and requires an adequate supply of cool fresh air to cool the engine and allow proper fuel combustion.

Ensure there is a minimum of 6 in of clearance between the engine air intake (the recoil starter area) and any other components mounted on the vehicle. The WHASP cooler fan should have a minimum of 12 in of clearance in front of it, however unobstructed venting to open atmosphere is preferred.

The engine exhaust must be vented away from the G30 and toward a safe location (the exhaust tip can be rotated to change the exhaust direction if needed). If mounted in an enclosure (such as the bed of a pickup truck box), the exhaust must be vented outside of the vehicle to prevent the gas engine from ingesting its exhaust and overheating or stalling (Figure 2).



Exhaust and waste heat from the G30 system must be vented away from the system to prevent the gas engine from ingesting its exhaust and stalling.

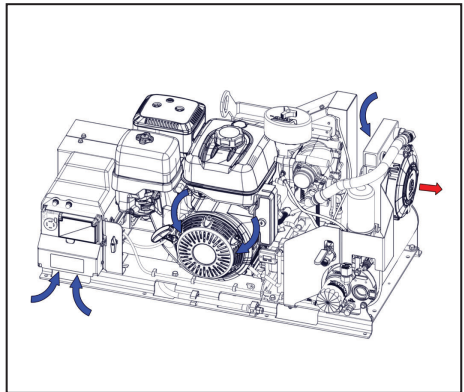
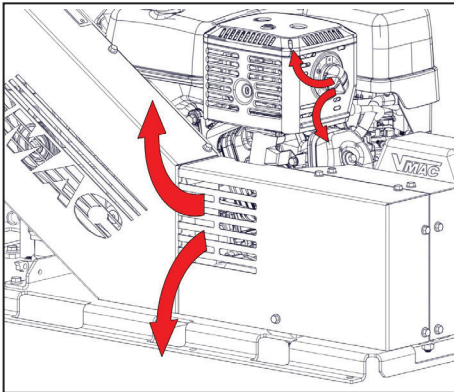


Figure 2 — Airflow diagram

Mounting Locations



VMAC does not recommend mounting the unit at the back of the vehicle as the drag created when the vehicle is moving causes debris to be deposited (and accumulated) inside the unit.



Ensure the engine exhaust and hot air generated by the gas engine and WHASP Tank cooler are routed in such a way as to prevent recirculation back into the unit.

Note that the fan on the WHASP Tank is a "puller" fan.



Ensure the fuel shut off valve is easily accessible. The fuel valve must be shut off when the unit is not in use, including during transport.

Maintain a minimum of 6 in between the sides of the G30 and 1 ft in front of the WHASP cooling fan and all other solid objects (Figure 3 on page 16).

Top Mounting

When selecting a top mount location, consideration must be taken regarding environment conditions. Precautions should be taken to limit the exposure of rain, snow, dust and debris directed towards the engine, compressor and generator air intakes, both while the vehicle is in motion, as well as when the vehicle is parked (This includes when the G30 is in use).

Consider the following:

- Inclement weather such as rain and snow.
- Dust and debris directed at the G30.

Enclosed Mounting



Enclosed mounting must incorporate one of the following to ensure an adequate supply of cool fresh air to the engine, and to remove all of the engine exhaust and heat generated from the system:

- **The unit must be mounted on a pull out tray that is extended anytime the unit is run. In general, this is the simplest method.**
- **The cabinet must be designed with features such as ducting and intake/exhaust fans.**

Mounting the G30 in an enclosure will limit access to cool fresh air, restrict the escape of hot air from around the unit and have an adverse effect on cooling, engine performance and reduce the unit's duty cycle. Ensure adequate ventilation is provided for cooling and to evacuate the exhaust. If mounting in an enclosure, VMAC strongly recommends mounting the unit on a pullout drawer and extending the drawer any time the unit is run.

While it is not possible to make absolute recommendations regarding ventilation due to the widely differing circumstances that are possible, duty cycle, ambient temperature and enclosure shape are some of the important variables that must be considered.

VMAC - Vehicle Mounted Air Compressors

VMAC Technical Support: 888-241-2289

VMAC Knowledge Base: kb.vmacair.com

Minimum considerations for mounting in an enclosure

| Supply cool fresh air to: | Exhaust and heat: |
|---|---|
| <ul style="list-style-type: none"> • Engine air intake. • Compressor air intake. • WHASP Tank. | <ul style="list-style-type: none"> • Duct the engine exhaust outside of the vehicle / enclosure. • Install an exhaust fan to remove hot air from the enclosure. |

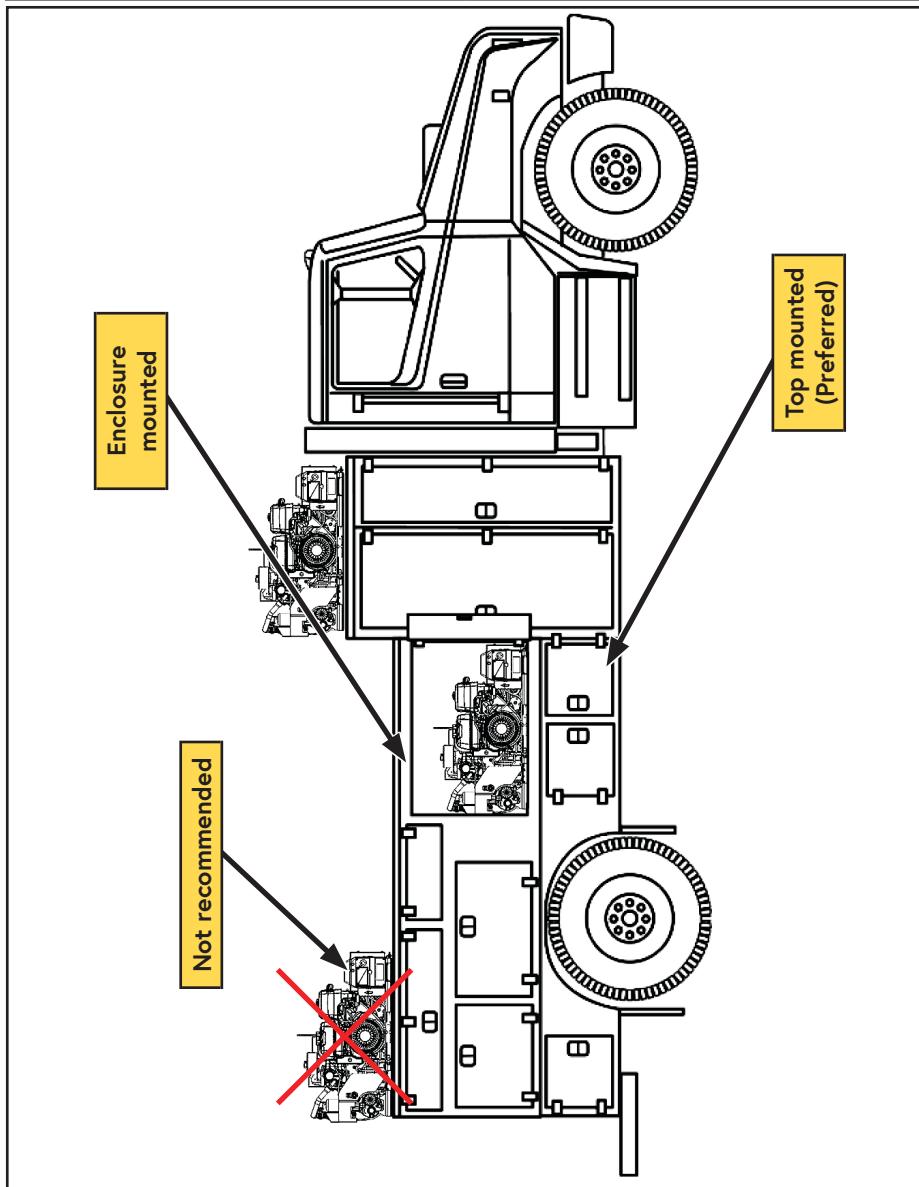


Figure 3 — Mounting locations

Mounting the Compressor

External dimensions with the base plate

- Locate a suitable mounting position for the G30. Place the unit in its intended location and check for clearances to any other objects (Figure 4).



All dimensions are in inches.

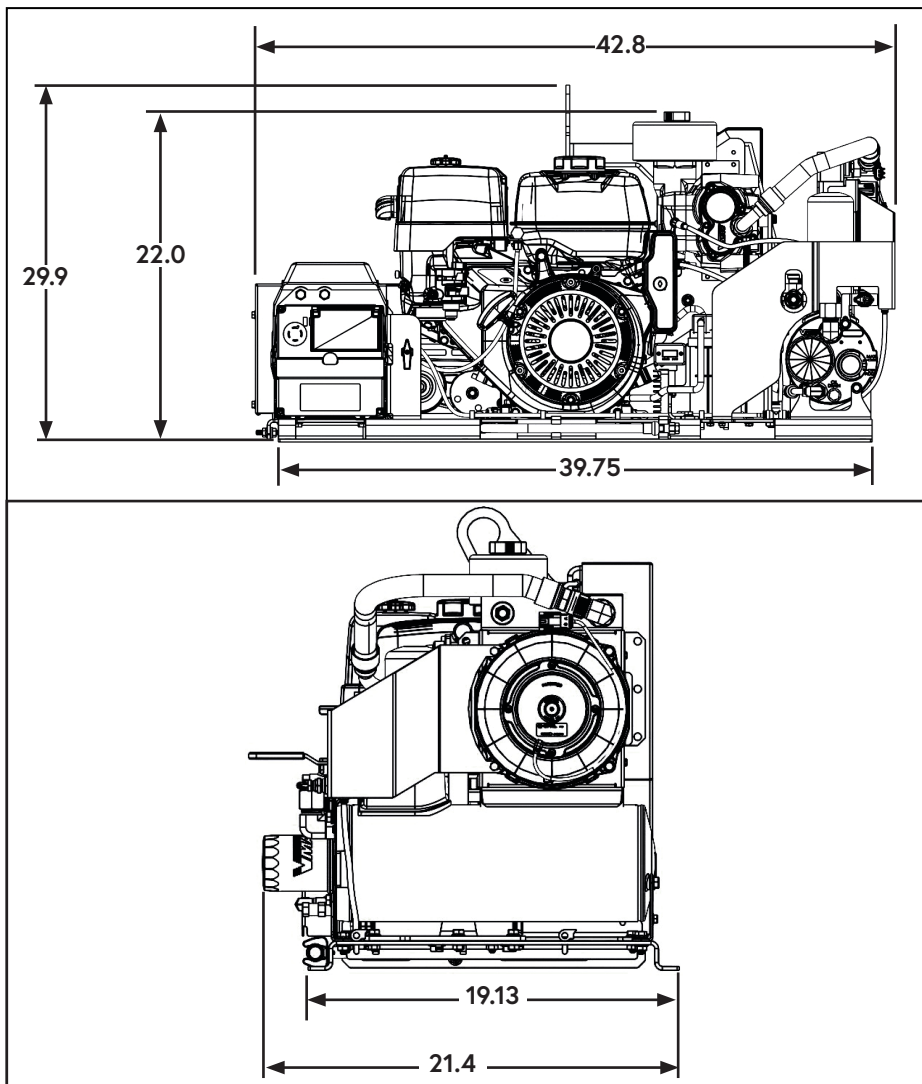



Figure 4 — External dimensions

Mounting the unit

There are 8 holes along the outer flange of the base plate for mounting the G30 (Figure 5).

- Drill 8 holes in the surface that the G30 will be mounted to. Use a minimum of (x8) 3/8 in or M10 fasteners. Ensure washers are used in addition to locknuts or Loctite 242 (blue) on the mounting fasteners.
- Connect the downstream plumbing to the ball valve outlet.

 *All dimensions are in inches.*

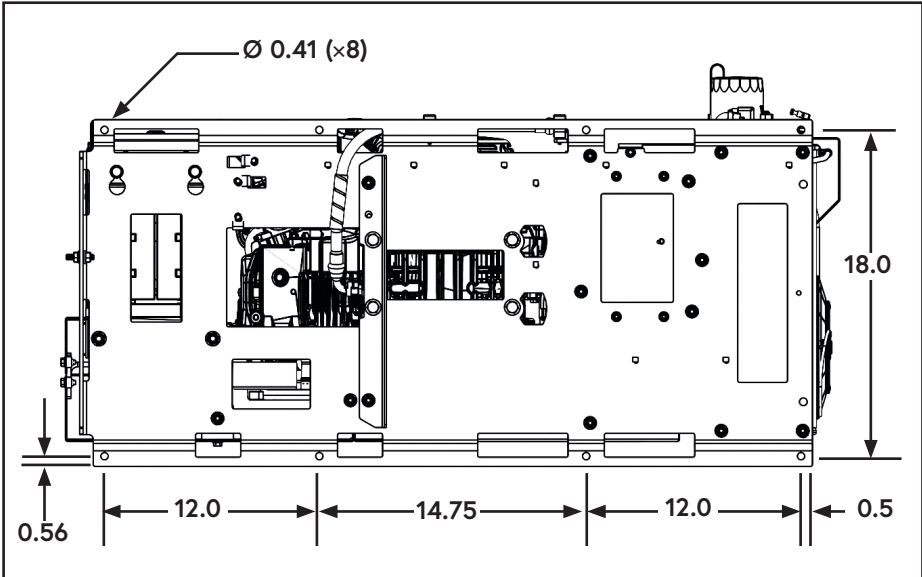




Figure 5 — Base plate mounting configuration

Electrical Connections

 Failure to sufficiently ground the G30 could cause severe injury or death due to electrical shock and static discharge.

While the American Welding Society® Safety & Health Fact Sheet No. 29 (Grounding of Portable and Vehicle Mounted Welding Generators) is a great reference for grounding the G30, VMAC recommends working/consulting with a certified electrician and local regulatory bodies when grounding the G30.

Certified electricians and local regulatory bodies can assist with any questions or concerns regarding proper grounding, and compliance with local regulations.

 The G30 must be grounded to the vehicle frame (or an earth ground when not mounted to a vehicle) to prevent electrical hazards.

The vehicle mounted ground connection must be made by bare metal to metal contact to the vehicle frame as some service body materials (e.g. plastics, wood, bedliners, etc.) may insulate the G30 from the frame, resulting in inadequate grounding.

Main System Ground (Vehicle Mounted)

- Connect a ground wire with a minimum size of 10 AWG to the ground terminal located on the engine side of the unit, next to the air outlet (Figure 6).

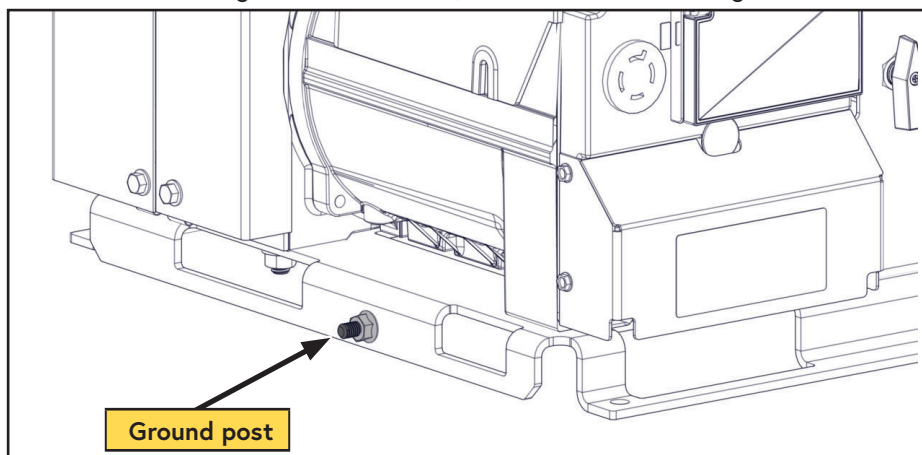


Figure 6 — Connect ground wire

- Connect the other end of the ground wire to the vehicle frame via a minimum 3/8 in post (this connection must be bare metal to metal contact).

Main System Ground (Non-Vehicle Mounted Applications)

- Connect a ground wire with a minimum size of 10 AWG to the ground terminal located on the engine side of the unit, next to the air outlet (Figure 6).
- Connect the other end of the ground wire to an earth ground device that complies with local electrical codes concerned with earth grounding devices.

VIMAC[®]

AIR INNOVATED[®]



G300005 Owner's Manual

Safety Features



Do not disable or bypass any safety components. Disabling or bypassing safety components could result in equipment damage, injury or death.



Read pages 2 – 10 of this manual prior to installation or operation of the G30.

G30 Safety Components (Figure 7)

- 200 psi pressure relief valve in the separation manifold.
- Blowdown muffler to discharge system pressure on shut down.
- Temperature switch in compressor.
- 15 A fuse protects the OEM electrical system (located inside the OEM key start enclosure).
- 15 A fuse protects the fan's electrical system (located in the wiring harness next to the battery).

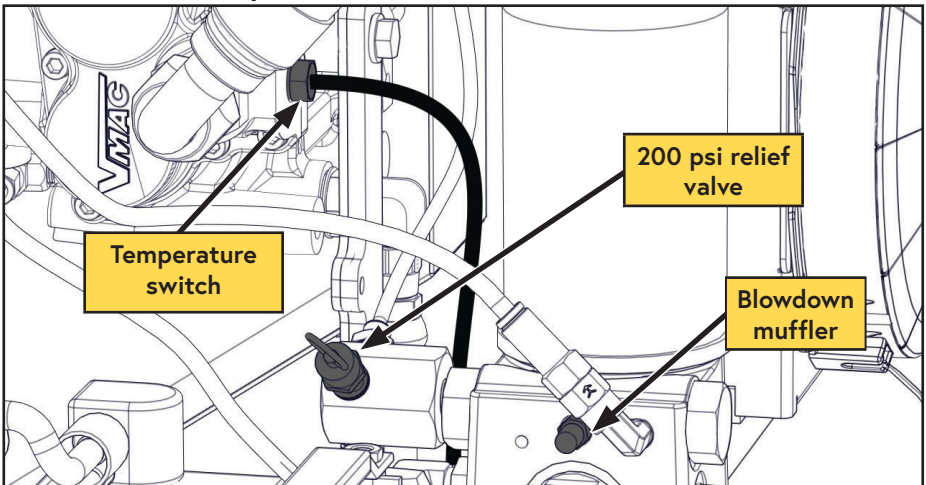


Figure 7 — Safety components (Shroud removed for clarity)

Automatic Overheat Shut Down

If the compressor oil temperature exceeds 140 °C (284 °F), the thermostatic switch will disable the engine. The cooling fan is powered by the battery and will continue to run as needed to cool the compressor.



The engine will not be able to be restarted until the system has cooled and the temperature switch has closed.

Generator Safety Components (Figure 8)

- (x2) 20 A thermal breakers.
 - Both 20 A thermal breakers are used for the 240 V circuit.
- Ground fault circuit interrupter (GFCI) for 120 V receptacle.
 - A green GFCI self test indicator light indicates that the system is functioning properly.
- Automatic voltage regulator (AVR) fuse protection (fuse located under generator top cover)

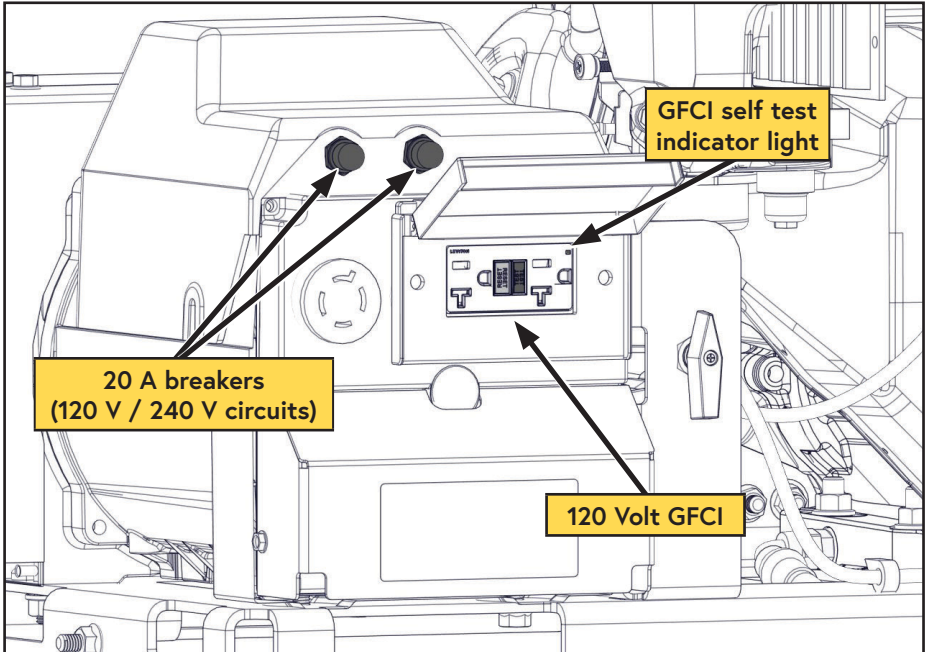


Figure 8 — Generator safety components

Identifying Your System

The System ID will be requested any time that parts are ordered, when calling for technical support or submitting a warranty claim.

The system ID is the preferred method of identifying the system as it serves as a master record of all of the components in the system. The system ID plate is generally found on the belt guard of the Gas Driven Air Compressor (Figure 9).

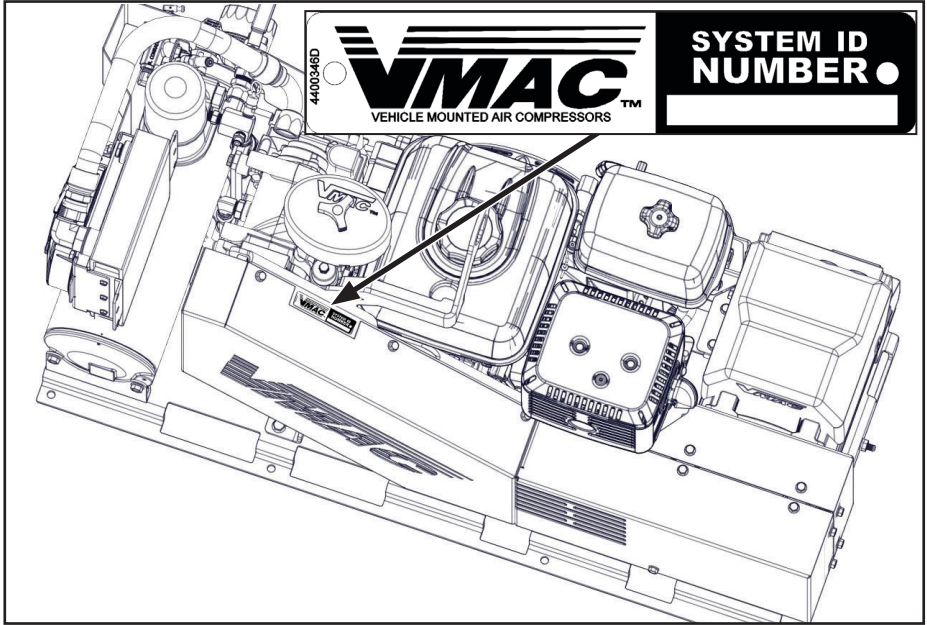


Figure 9 — System ID location

An alternative method of identifying the system is via the compressor serial number which is found on a plate attached to the compressor. This is a less desirable method of identifying the system as it may not link back to the original system if it has been replaced.

System ID breakdown

The system ID provides specific information about the system such as the model, revision, production date and the unique identifier (Figure 10).

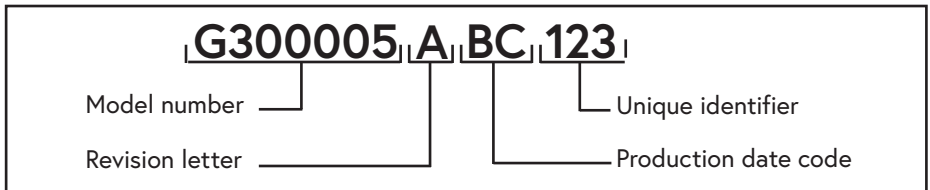


Figure 10 — System ID breakdown

Operating Principles

Air Compression

The G30 uses a VMAC designed and manufactured flooded lobe, rotary screw compressor. The oil filled compressor housing contains 2 rotors. Compression occurs when air (at normal atmospheric pressure) enters a chamber where it is trapped between meshing rotor lobes. Cooled oil is injected into the rotors during compression to lubricate the rotors and bearings, absorb the heat of compression, and seal the rotor lobes to allow for efficient compression. As the rotors rotate, the meshing lobes compress the volume of the trapped air/oil mixture before sending it down the discharge line to be cooled and separated by the Waste Heat Air Separation Package (WHASP) Tank.

Oil Separation and Cooling

The WHASP Tank is a 2 stage air/oil separator and oil cooler. The hot air/oil mixture from the compressor enters the cooler at the top of the WHASP Tank where the mixture is cooled and the majority of the oil separates from the air and settles into the reservoir tank below the cooler (first stage separation). The cooled oil then passes through a high pressure oil filter before being returned to the compressor via the oil return line. The air stream then passes through a coalescing filter where the remaining oil is removed (second stage separation). The oil collected by the coalescing filter is returned to the compressor via the 1/4 in PTFE scavenge tube. A liquid to air cooler with electric fan maintains the operating temperature which reduces the temperature of the compressed air and increases the system's durability.

Minimum Pressure Check Valve

The WHASP Tank has a built-in minimum pressure check valve (MPCV) to maintain a minimum pressure of approximately 60 psi (414 kPa) in the WHASP Tank, this ensures there is adequate compressor lubrication, cooling, and oil separation in the coalescing filter. Air will not flow out of the WHASP Tank until approximately 60 psi is reached. The MPCV is factory set and requires no adjustment or servicing.



The VMAC WHASP Tank has a built-in check valve. Use of an additional check valve is not required and may cause erratic performance.

Pressure Regulation

Pressure regulation is achieved with a combination of an inlet valve regulator, a mechanical unloader valve and a discharge valve. Use a Filter Regulator Lubricator (FRL) to regulate downstream pressure to the tools.

Filtration

VMAC rotary screw compressors are designed and machined to exacting tolerances. Foreign particles entering the compressor can damage system components such as seals, bearings, rotors, as well as the inside of the housing, resulting in performance losses and reduced system life.

The system is equipped with a replaceable paper element inlet air filter, spin on high pressure oil filter and a spin on coalescing filter.

These system filters enhance performance and extend component life by reducing damage from dust and other debris. Proper maintenance is required to maintain system performance and extend the system's life.

Compressor and Generator Drive, Belt and Tensioning

The compressor and generator are directly driven by a 4 rib belt. Anytime the engine is running the compressor and generator are running. The system has two automatic belt tensioners, manual adjustment is not required.

System Pressure Unload

Internal system pressure is controlled via a mechanical unloader valve. When downstream air pressure reaches 135 psi (air pressure to the air tools), the mechanical unloader valve activates and sends a signal to the mechanical discharge valve to open. When open, the mechanical discharge valve sends internal system pressure (pressure inside the compressor and WHASP Tank) to the inlet valve and closes the compressor air intake poppet. Internal air pressure is then vented to a nominal value which reduces the load on the engine. This allows the control system to reduce engine speed which improves fuel efficiency, as well as reducing emissions and wear and tear on the system. When downstream pressure drops below 110 psi, the unloader valve will close and "load" the system, allowing it to build air.

Generator

The G30 uses a 5.2 kWh 60 Hz @3,600 rpm single phase 2 pole generator with Automatic Voltage Regulator (AVR).

Spark Arrester

The gas engine is supplied with a spark arrester.

For more information regarding the spark arrester, refer to the Honda GX390 Owner's Manual supplied with the system (VMAC P/N: 1901066).

Extreme Climates and Elevation



The G30 has been designed to operate in moderate climates of 0 °C to 40 °C (32 °F to 104 °F) below 3,500 feet. Operating outside of this range may result in performance issues with the engine, compressor, and generator.

Cold Environment Operation



The G30 system is not designed or recommended for use in cold climates (below 0 °C / 32 °F) unless equipped with a VMAC cold climate kit (P/N: A500044).

If equipped with the optional VMAC Cold Climate Kit (P/N: A500044), the cold climate kit must be turned off prior to starting the engine, and must remain off for the duration of engine operation.



Prior to operating the G30, clear any accumulated snow or ice from the:

- *Engine air intake, exhaust, and recoil starter area.*
- *WHASP Tank cooler and fan.*
- *Generator air intake and air exhaust.*

Cold Environment Recommendations

- Ensure the following conditions are met before starting the system:
- Use the choke in cold environments, or for first start of the engine.
- The system's components must all be at, or above 0 °C (32 °F). Starting the system while any of the components are below 0 °C (32 °F) may result in excessive engine cranking while starting, the engine failing to start, belt slippage, and engine stalling. Use the optional A500044 Cold Climate Kit or store the system indoors and start it while the components are still warm.
- For engine oil recommendations in temperatures below 0 °C (32 °F), refer to the Honda Owner's Manual supplied with the system (P/N: 1901066). Failure to follow the recommendations in the Honda Owner's Manual may result in poor engine performance or engine damage.
- The unloader valve should be manually activated to aid start up; this will reduce the load on the compressor, resulting in less load on the engine during warm up (Figure 11 on page 30).



While the unloader valve is manually opened, the compressor will only produce approximately 40 psi. Once the engine has reached normal operating temperature, close the unloader valve to allow the system to build to full system pressure.



The optional A500044 Cold Climate Kit is a starting aid only. Contact a Honda dealer for recommendations when operating the engine below -15 °C (5 °F).

Hot Environment Operation

Operating the G30 fully loaded for extended periods in temperatures above 40 °C (104 °F) may result in the system shutting down due to the compressor oil overheating. Placing high demand on the engine (e.g. continuous demand at 135 psi) for extended periods can also result in higher than normal engine oil temperatures. To avoid overheating the engine or compressor, VMAC recommends installing an air receiver tank. This will help to reduce the duty cycle of the compressor by allowing it to unload.

The compressor system is protected by a compressor oil temperature switch that opens at 140 °C (284 °F) and shuts down and disables the engine until the compressor oil temperature drops below 139 °C (282 °F). The cooling fan will continue to operate at anytime as it is powered directly from the battery.

If the G30 shuts off due to overheat, allow the system to cool sufficiently before restarting.

For engine oil recommendations in temperatures above 40 °C (104 °F) refer to the Honda GX390 Owner's Manual supplied with the system (VMAC P/N: 1901066). Failure to follow the information supplied in the Honda Owner's Manual may result in poor engine performance or engine damage.

Hot Environment Recommendations



A receiver tank can help prevent overheating issues by lowering the duty cycle of the compressor.

- Ensure there is an adequate supply of cool ambient air to the unit.
- Ensure the exhaust and hot air are able to vent from the system with no restrictions.
- Ensure the WHASP radiator fins, engine recoil starter, generator air intake and air exhaust areas are clear of debris.
- Install an external fan to direct cool air toward the engine and air compressor.
- Ensure the engine, compressor, and generator are serviced at correct intervals.

High Altitude operation

The G30 has been designed to operate from 0 to 3,500 feet above sea level.

Operation above 3,500 feet may limit the compressor performance and may cause the engine to stall. For operation between 3,500 and 5,000 feet, lowering the compressor duty cycle is recommended.

For more information regarding high altitude operation refer to the Honda GX390 Owner's Manual supplied with the system. Failure to follow the Honda Owner's Manual may result in poor engine performance or engine damage.

System Components and Specifications



The compressor is driven by a belt; any time the engine is running, the compressor is being driven.

System Components (Front) (Figure 11)

- WHASP Tank.
- Rotary screw compressor.
- Key start.
- Hour meter.
- 12 V battery.
- Honda GX390 gasoline engine.
- Unloader valve.
- Discharge valve.
- Generator.
- Throttle control valve.

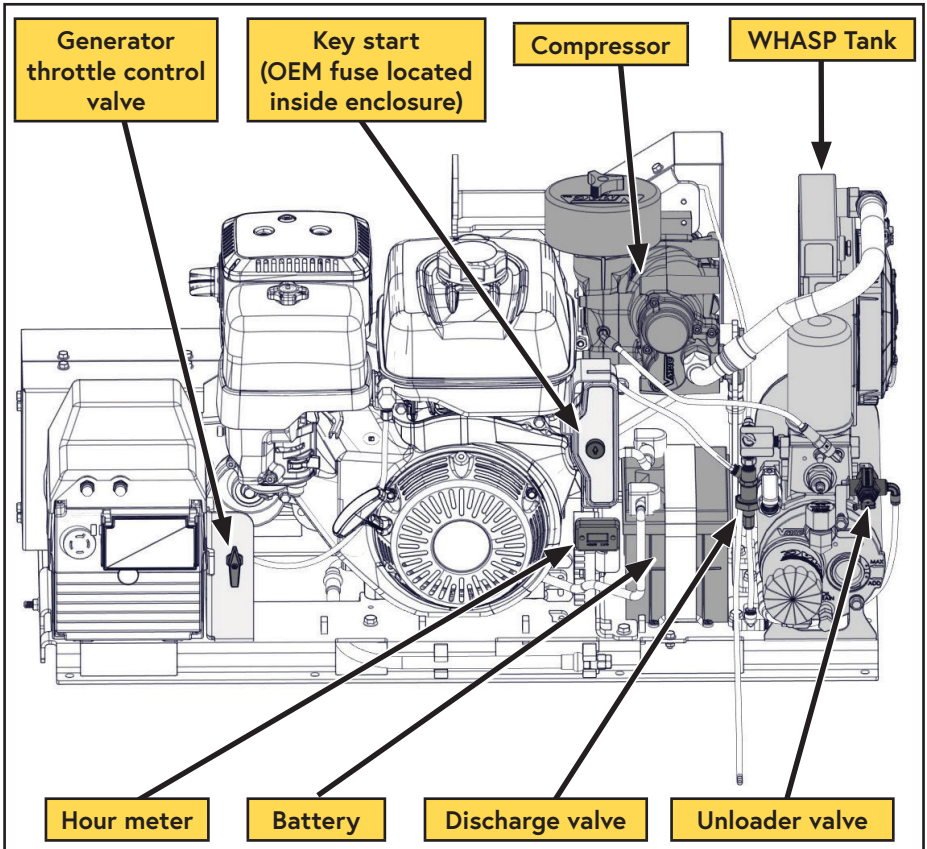


Figure 11 — System overview
(shroud removed for clarity)

System Components (Back) (Figure 12)

- Lifting eye.
- Belt shroud.
- Fuel fill.
- Exhaust shroud.

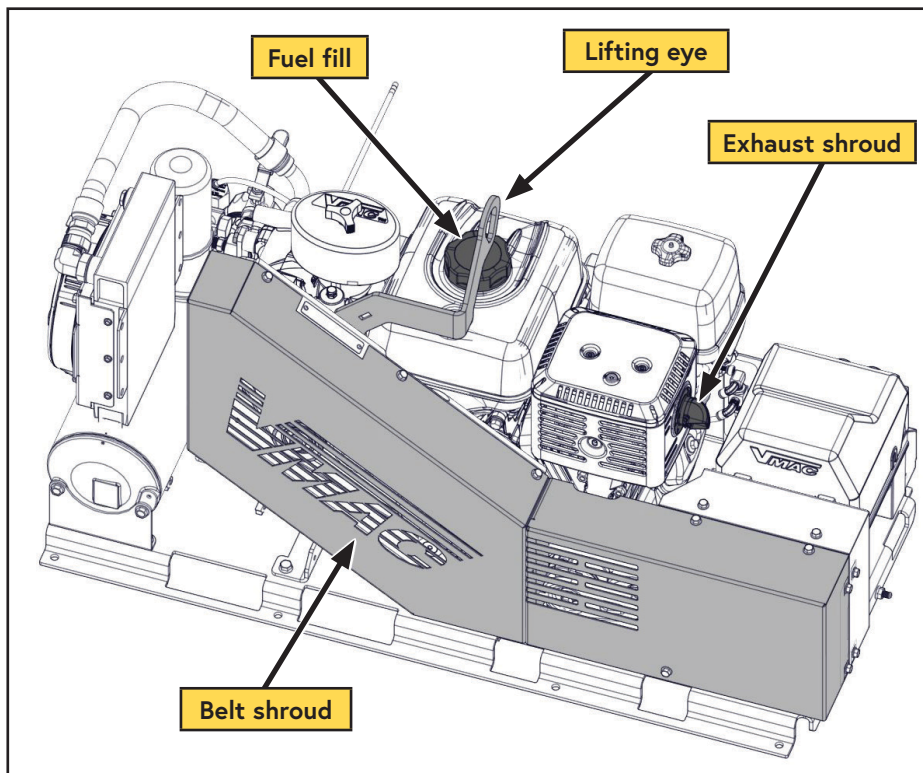


Figure 12 — System overview

System Controls and Features

The G30 includes the following controls and features (Figure 13)

- Electric key start with recoil pull start backup.
- Manual choke.
- Compressor overtemperature switch (shuts down the engine).
- Intelligent throttle which increases or decreases engine rpm based on air demand (reduces fuel consumption when no air is needed).
- Hour meter (runs any time the engine is running).
- Automatic system pressure unload with manual override (when the system is "unloaded", engine speed can be reduced, decreasing engine noise, emissions and wear and tear, while increasing fuel efficiency).
- Automatic blowdown (depressurizes the system when it is shut down).
- Selectable throttle control valve for high idle operation when using the generator and auto idle operation when using the compressor.



The electric fan on the WHASP Tank can turn on at any time. This is normal operation.

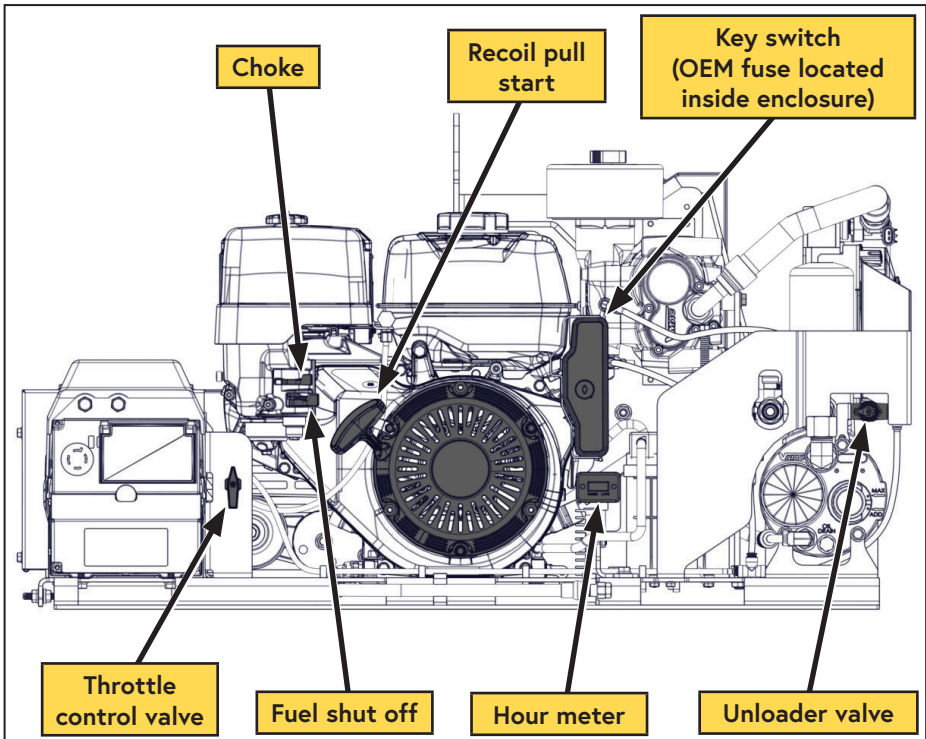


Figure 13 — System controls overview

Before Starting the G30



Ensure the following has been completed before operating the G30.

Before Running the G30

- Ensure the vehicle the system is mounted to is not parked on grades exceeding 20° as this will affect lubrication and air/oil separation (Figure 14).

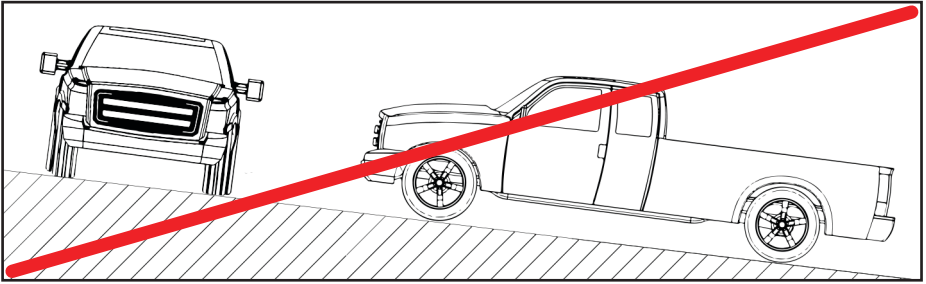


Figure 14 — Do not exceed 20° grade



New VMAC oil is clear and may be difficult to see in the sight glass.

- Clear any accumulated snow or ice from the G30 (page 28)
- Check the compressor oil level and condition (page 52).
- Inspect the blowdown muffler (page 53).
- Inspect the Pressure Relief Valve (page 54).
- Inspect the compressor air filter (page 55).
- Inspect the engine air filter (See the Honda Owner's Manual).
- Inspect the 20 A thermal breakers and ground fault circuit interrupter (GFCI) located on the generator.
- Check the engine oil level and condition (See the Honda Owner's Manual).
- Check the fuel level.
- Do a final inspection to ensure that all fasteners and connections are tight.
- Check that all hoses and wiring is secure and adequately protected.
- Check for any fluid leaks around the unit.
- Ensure any pneumatic equipment is securely connected and the discharge ball valve is closed.
- Ensure no power tools are turned on or plugged into the generator.



If the system has been run, ensure the compressor system has depressurized prior to restarting. The engine will not be able to start if the system is still under pressure.

Starting the Engine

What to Expect at Startup

Manually actuating the unloader valve allows air pressure to be vented to a nominal value which reduces the load on the engine. during warm up. Once the system reaches normal operating temperature, manually release the unloader valve, allowing the system to build air pressure.

Normal operating engine rpm:

- When unloader is actuated (during warm up): 2,900 ± 100 rpm.
- When building air pressure: 3,500 ± 100 rpm (this value can vary due to engine load, as well as environmental conditions).
- Once system has built to full system pressure: 2,200 rpm ± 100 rpm.
- When the generator is activated, the engine rpm will vary due to the load caused by the generator, as well as environmental conditions

Starting the engine with the key switch



Do not start the system in the "GENERATOR ON" setting as this will set the engine to 3,600 rpm while starting. Run the system in "COMPRESSOR ON" until warmed up.



The G30 is designed to operate at an elevated low idle set point. This is required for optimal engine performance due to compressor and generator loads. This elevated low idle set point requires the choke to be applied during both cold and warm starts. To start the engine (warm or cold), ensure the choke is closed by confirming that the lever is all the way to the left.

- 1) Ensure the throttle control valve is set to "COMPRESSOR ON".
- 1) If equipped with the optional VMAC Cold Climate kit, ensure the kit is turned off.
- 1) Close the choke by moving the choke lever all the way to the left (Figure 15).

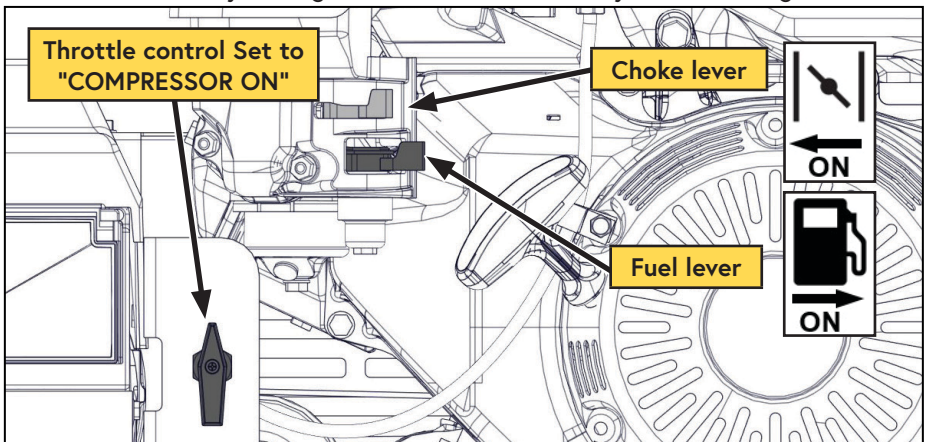


Figure 15 — Fuel and choke levers

4) Turn on the fuel by moving the fuel shut off lever all the way to the right (Figure 15).



The unloader valve should be opened to reduce the load on the engine during warm up.

5) Actuate the unloader valve by pulling out the handle (Figure 16).

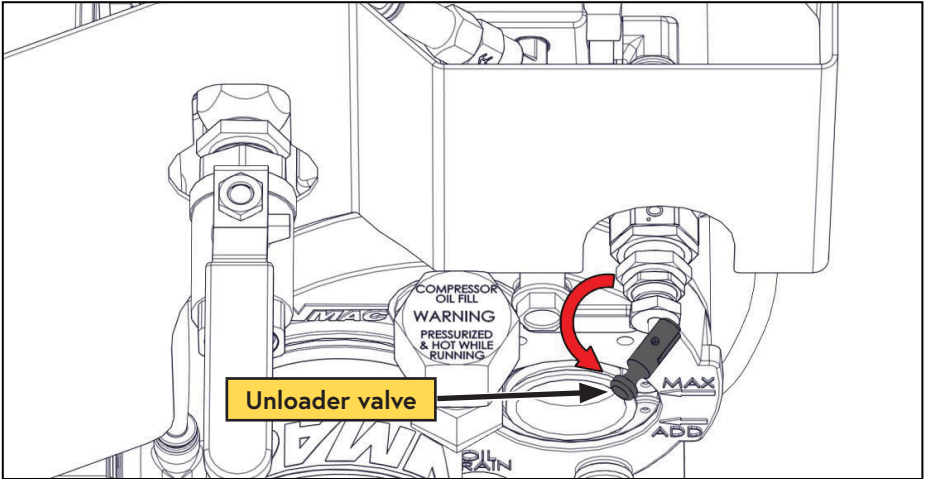


Figure 16 — Unloader valve

6) Turn the ignition key switch to the "START" position and hold it there until the engine starts (maximum of 5 seconds) (Figure 17).

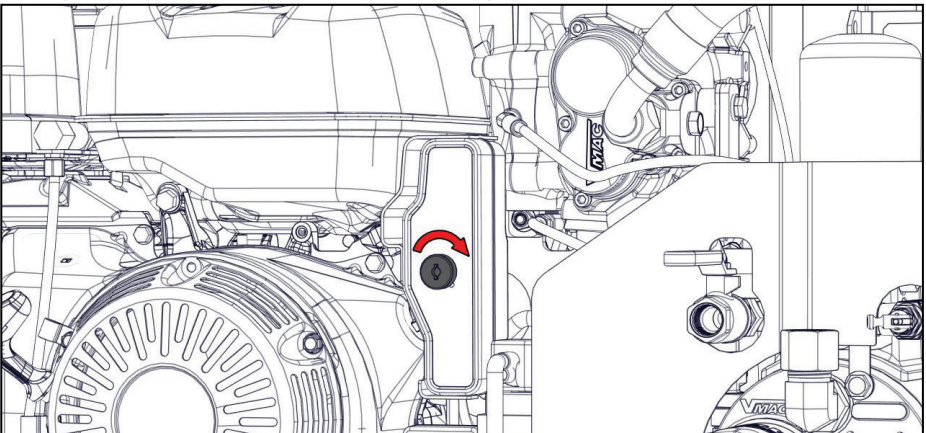


Figure 17 — Key switch



If the engine fails to start within 5 seconds, release the key and wait at least 10 seconds before operating the starter again. Using the starter for more than 5 seconds at a time will overheat the starter motor and may damage it.

7) Once the engine is running, gradually open the choke by moving the choke lever to the right as the engine warms up (Figure 18).

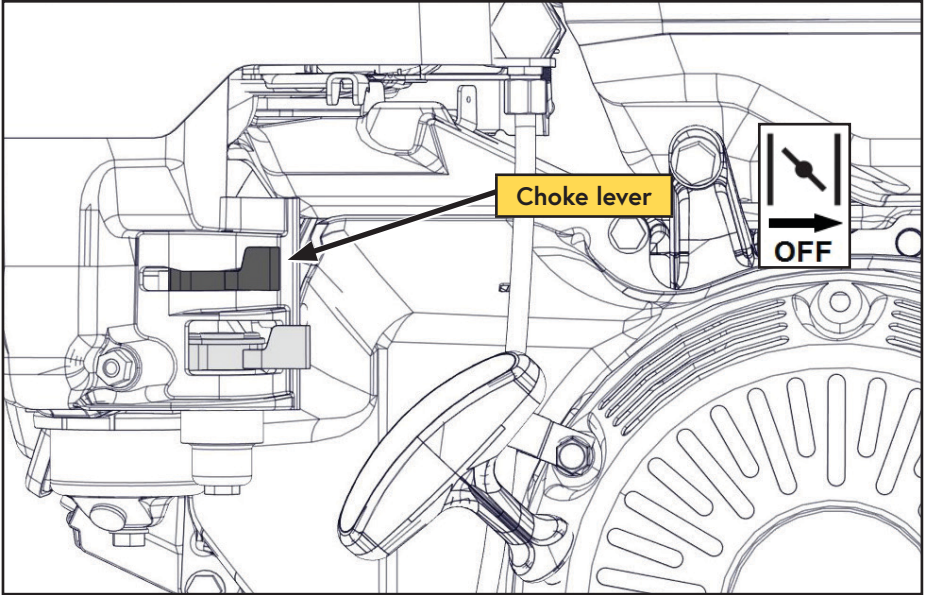


Figure 18 — Choke

See chapter "Compressor and Generator Operating Instructions" on page 40 for operating instructions.

Starting the engine with the recoil starter (pull cord)



The Honda generator produces a limited amount of amperage that is insufficient to both power the WHASP Tank cooling fan, and charge a dead battery.

If using the recoil starter due to a dead battery, allow the engine to operate at high idle, without using air (disconnect PTFE tube from unloader valve), for a minimum of 30 minutes to allow the battery to charge.



Do not start the system in the "GENERATOR ON" setting as this will set the engine to 3,600 rpm while starting. Run the system in "COMPRESSOR ON" until warmed up.



The G30 is designed to operate at an elevated low idle set point. This is required for optimal engine performance due to compressor and generator loads. This elevated low idle set point requires the choke to be applied during both cold and warm starts.

To start the engine (warm or cold), ensure the choke is closed by confirming that the lever is all the way to the left.

- 1) Ensure the throttle control valve is set to "COMPRESSOR ON".
- 2) If equipped with the optional VMAC Cold Climate kit, ensure the kit is turned off.
- 3) Turn the ignition key switch to the "ON" position.
- 4) Close the choke by moving the choke lever all the way to the left (Figure 19).

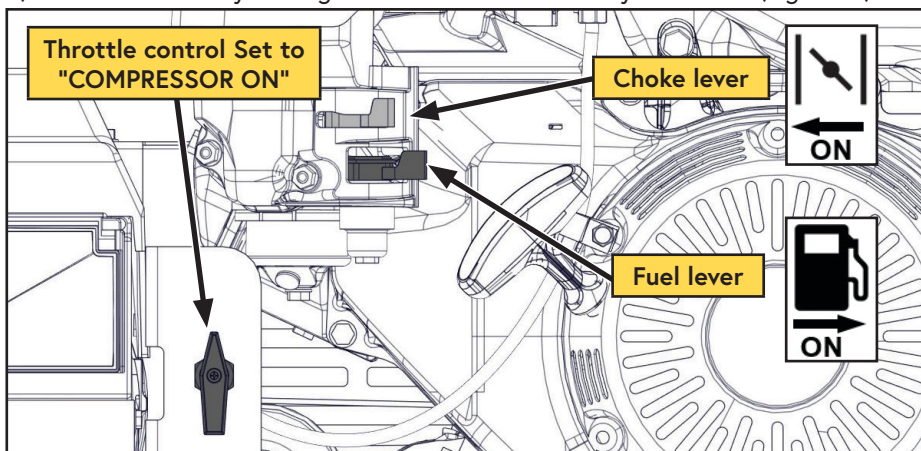


Figure 19 — Fuel and choke levers

- 5) Turn on the fuel by moving the fuel shut off lever all the way to the right (Figure 19).



The unloader valve should be opened to reduce the load on the engine during warm up.

6) Actuate the unloader valve by pulling out the handle (Figure 20).

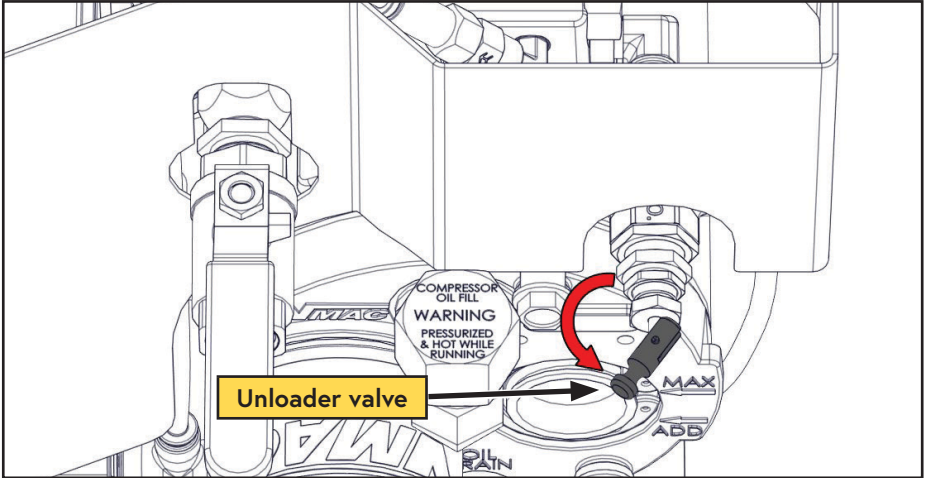


Figure 20 — Unloader valve

7) Pull the starter grip lightly until resistance is felt, then pull briskly in the direction of the arrow. Return the starter grip gently to prevent damage to the starter (Figure 21).

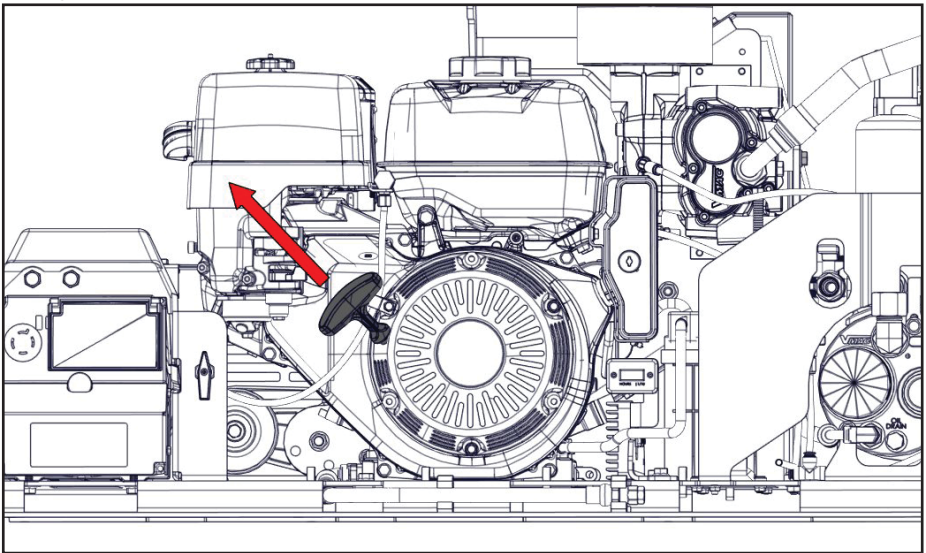


Figure 21 — Pull cord

8) Once the engine is running, gradually open the choke by moving the choke lever to the right as the engine warms up (Figure 22).

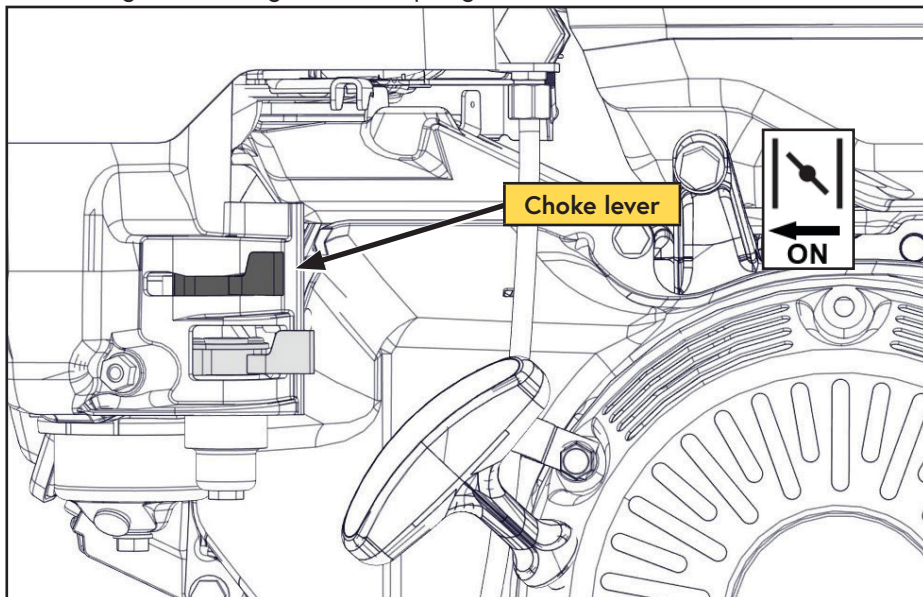


Figure 22 — Choke

See chapter "Compressor and Generator Operating Instructions" on page 40 for operating instructions.

Compressor and Generator Operating Instructions



Do not attempt to operate the compressor and generator simultaneously! This system is designed to run either the compressor or the generator at any one time.

Compressor Operation

- Start the engine and allow it to reach normal operating temperature (page 34).



While the unloader valve is actuated (under tension) the system will only build to 40 psi. Once the engine has warmed up, close the unloader valve to allow the system to build to full system pressure.

- Release the tension on the unloader valve (Figure 23).

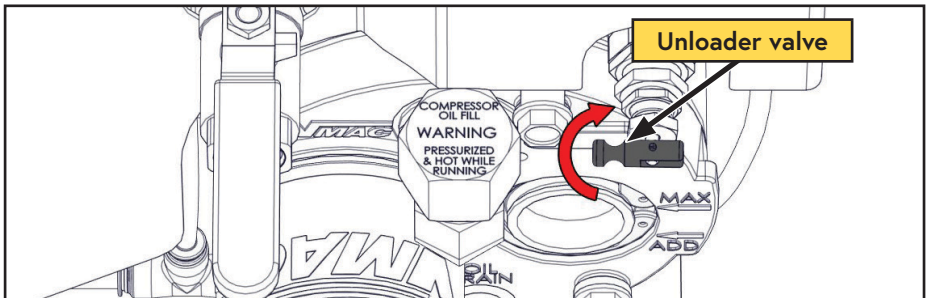


Figure 23 — Unloader valve



When the system is set to "COMPRESSOR ON" the engine speed will vary dependent upon air demand. This will result in voltage and frequency fluctuations which can damage some electronics.

Do not attempt to operate the generator while the throttle is set to "COMPRESSOR ON" and/or the compressor is in use.

- The throttle control valve should remain at "COMPRESSOR ON" (this will allow the engine speed to reduce to base idle when the system reaches maximum system pressure) (Figure 24).

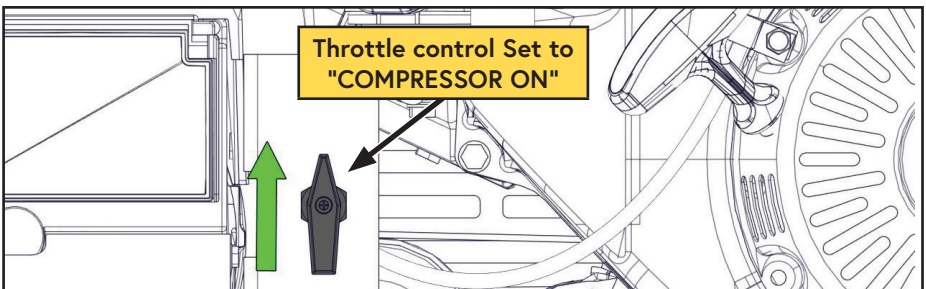


Figure 24 — Throttle control valve

Generator Operation



To prevent damaging the generator, ensure any power tools are either powered off and/or unplugged prior to starting or shutting down the generator.



While the generator is in use, the unloader valve must remain actuated (under tension) to prevent the compressor from building air pressure. Note that with the unloader actuated, the compressor will build up to 40 psi, this is normal.

- Start the engine and allow it to reach normal operating temperature (page 34).
- Ensure the unloader valve remains actuated (under tension) (Figure 25).

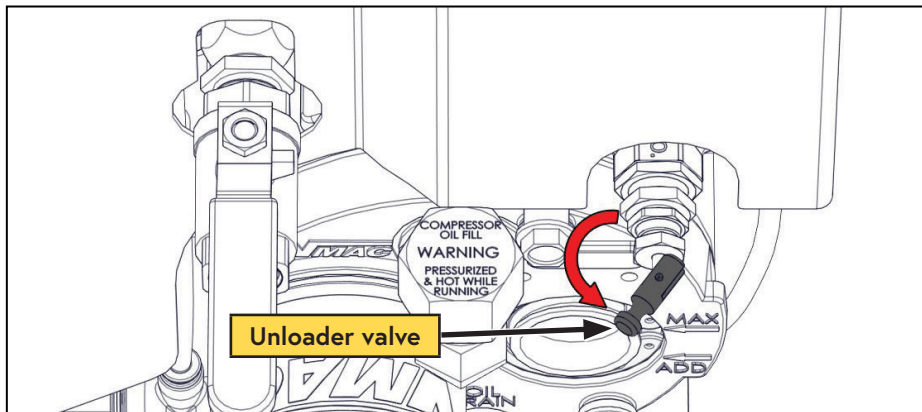


Figure 25 — Unloader valve



The unloader valve must remain actuated while generator operation is selected.

- Turn the throttle control valve to "GENERATOR ON" (Figure 26).

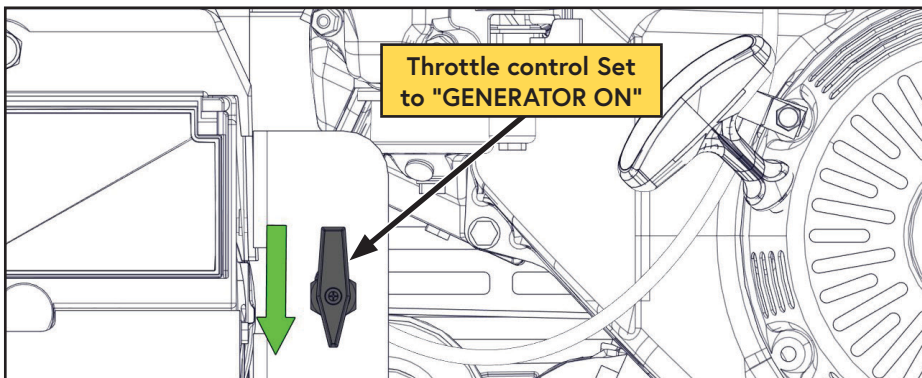


Figure 26 — Throttle control valve

Stopping the Engine



The engine may experience a backfire if it is shut off while the engine speed is above idle and the compressor is building air pressure. This is normal and is caused by the load on the engine during shut down. Ensure the engine is at base idle prior to shutting it off.



The exhaust system is equipped with a spark arrester.

To properly shut down the engine

- 1) Ensure all electrical equipment is either powered off and/or the cords are disconnected.
- 2) Turn the throttle control valve to "COMPRESSOR ON".
- 3) Stop all air use.
- 4) Ensure the system has built to full system pressure (factory setting 140 psi) and the compressor is "unloaded".
- 5) Allow the engine to run at low idle for at least 10 seconds.
- 6) Turn the key to the "OFF" position.
- 7) Move the fuel shut off valve all the way to the left to shut off the fuel (Figure 27).

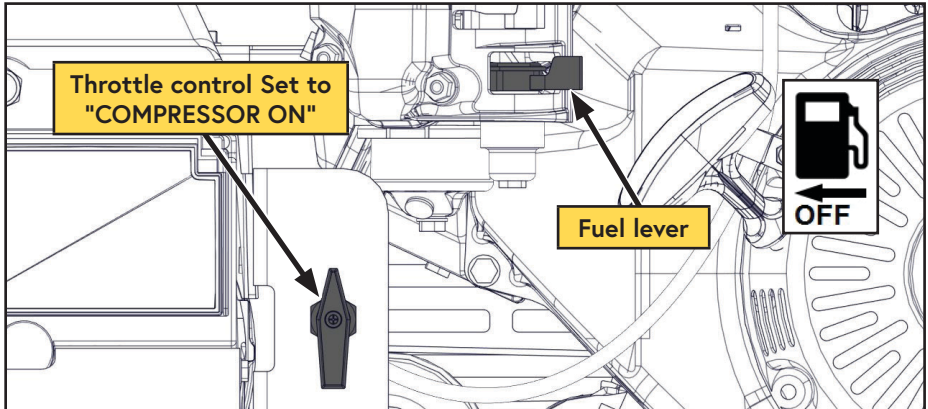


Figure 27 — Shut off fuel



Improper shut down may cause compressor oil to discharge from the compressor air filter.



Ensure the fuel shut off valve is closed (all the way to the left) when the unit is not being run or before moving to a different site. Failure to do this may allow fuel to overfill the carburetor float bowl and flow into the engine's cylinder and/or crank case causing the engine to hydraulically lock.

Recommended Accessories

While the compressor system will function without the following accessories, VMAC strongly recommends their use for optimal performance.

Receiver Tank

A receiver tank reduces the duty cycle of the compressor, and can help the G30 run tools with higher cfm requirements. It can also provide a buffer so that tools can be used immediately upon system start up.

For information on installing an air receiver tank see the "Air Receiver Tank" section of this manual on page 44.

Air receiver tanks are available for purchase through VMAC. See the "Accessory Products from VMAC" section of this manual on page 102 for more information.

Pressure Gauge

While not critical to system performance, a pressure gauge is important for fine tuning the system and simplifies any potential troubleshooting.

Install a 200 psi pressure gauge downstream of the air discharge valve.

Pressure Regulator and/or Lubricator or FRL

The compressor can produce air pressures up to approximately 135 psi (930 kPa). It is the responsibility of the user to know the pressure and air flow requirements of the tools powered by the air compressor system.

An appropriate air pressure regulator and lubricator can be installed downstream of the air discharge valve. Failure to regulate the air pressure may cause damage to the tool.

FRL's are available for purchase through VMAC. See the "Accessory Products from VMAC" section of this manual on page 102 for more information.

External Fuel Supply / Shut Off Valve



The use of any type of external fuel supply (e.g. gravity tank) or remote fuel shut off valves are not recommended or supported by VMAC.

Contact a Honda Engine dealer for information regarding external fuel supply or remote shut off valves.

Air Receiver Tank



Pressure in the air receiver tank will not be relieved when the compressor system blows down. This is normal operation. Prior to performing any service work on the system, discharge any stored air in the air receiver tank.



The WHASP Tank has a built-in check valve. Use of an additional check valve is not required and may cause erratic performance.



If an air receiver tank will be used with this system, the following installation procedure must be used to prevent damage to the system.



When connecting a large capacity receiver tank, users may experience situations where the system does not unload after reaching 135 psi (See the "System Pressure Unload" section on page 27 for more information). If this happens, the regulator on the inlet valve may need to be adjusted (see page 74 for instructions).

The VMAC compressor system will automatically depressurize when shutdown. The WHASP Tank has a built in check valve that prevents blow back and moisture from the receiver tank entering the WHASP Tank. Installation of an additional check valve will cause erratic performance.

While the air receiver tank can be installed at any height in relation to the WHASP Tank, the discharge hose running from the WHASP Tank must be installed as high as possible on the air receiver tank to prevent problems with condensation that may have accumulated in the receiver tank.

Drain the condensed water from the receiver tank daily.

Installation of an additional one-way check valve will cause erratic performance (Figure 28).

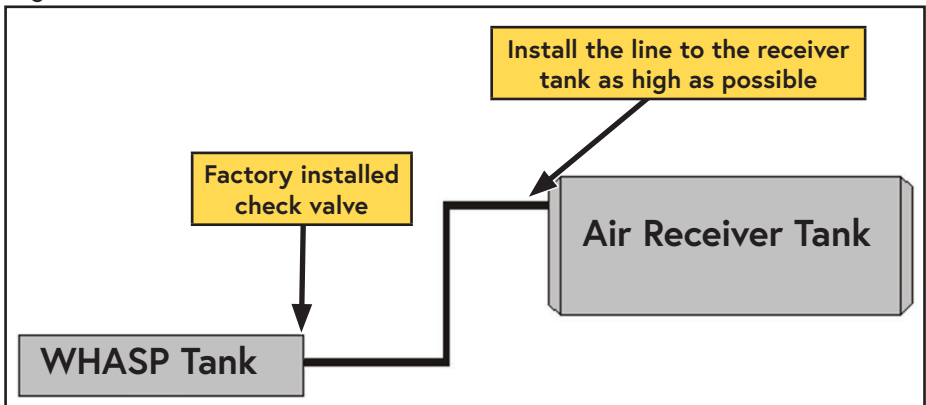


Figure 28 — Air receiver tank

Setup, Performance Testing and Adjustments

This system has been adjusted at the factory for general operation.

System operation can be tested using the tools that will be operated by the system or by using the VMAC Test Tool (A700052) with the 30 CFM (1/8 in) orifice in the outlet to simulate tool use (Figure 29).

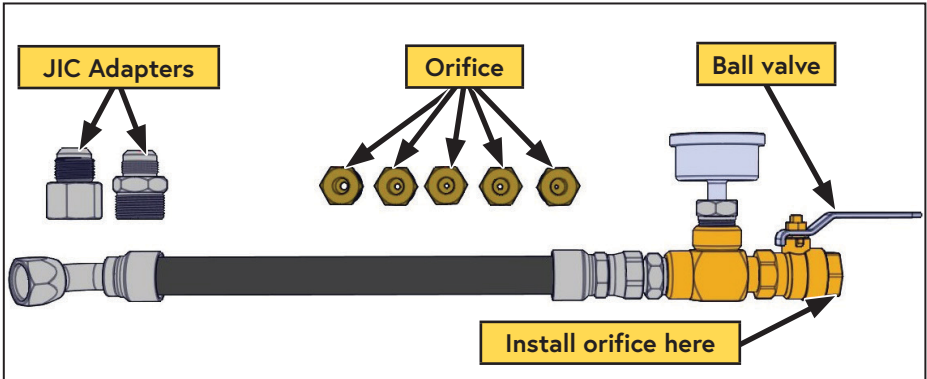


Figure 29 — A700052 VMAC Air Test Tool



Ensure there are no leaks in the test tool. The system may not idle down or unload if there are leaks in the lines or fittings.



Disconnect all downstream equipment (hose reels, etc.) and remove the ball valve from the compressor discharge. Connect the test tool directly to the discharge fitting on the WHASP Tank.

- Install the VMAC test tool at the system outlet with the 30 CFM (1/8 in) orifice.
- Ensure that the ball valve on the test tool is closed.
- Start the compressor system and allow the engine to run until it is at operating temperature.
- Ensure the tension on the unloader valve is released to allow the compressor to build to full pressure.
- Observe the pressure gauge, it should indicate approximately 135 psi (factory setting).
- Slowly open the ball valve on the test tool and observe the operation. The engine speed should increase when the pressure drops to 110 psi (25 psi below system pressure).
- With the ball valve fully open, the pressure should stabilize above approximately 100 psi (this simulates a tool operating at 25 CFM).
- Close the ball valve to allow the system pressure to rise.
- Once testing is complete, follow the normal shut off procedure.

Engine rpm Adjustment



Adjusting the engine speed is not an approved procedure. Any damage or performance issues caused by unauthorized engine rpm adjustment will not be covered under warranty.

Lowering the engine rpm will decrease the cfm output and will cause the engine to stall, while increasing the engine rpm may damage the engine.

Any adjustment to the engine speed may result in the generator operating outside of it's designed frequency and voltage specifications, damaging the generator and/or any equipment attached to it.

The engine "low idle" and "high idle" screws are set at the factory and do not require adjustment. The throttle actuator will automatically raise and lower the engine speed dependent upon air demand.

Maintenance Schedule and General Maintenance Information

Illustrated Parts Lists (IPL)

In addition to this manual, the illustrated parts list is an invaluable resource when inspecting, diagnosing or repairing the system. The IPL is available free of charge from VMAC. The part number portion of the System ID will be needed to locate the correct IPL. See "Identifying Your System" on page 25 for the System ID location.



Torque Specifications

All fasteners must be torqued to specifications. Use manufacturers' torque values for OEM fasteners.

The torque values supplied in Table 1 are intended for VMAC supplied components, or for use as a guide in the absence of a torque value provided by an OEM.



Apply Loctite 242 (blue) to all fasteners (except nylon lock nuts) unless otherwise stated.

Torque values are with Loctite applied unless otherwise specified.

| Standard Grade 8 National Coarse Thread | | | | | | | | |
|---|-----|------|-----|------|-----|------|-----|-----|
| Size (in) | 1/4 | 5/16 | 3/8 | 7/16 | 1/2 | 9/16 | 5/8 | 3/4 |
| Foot pounds (ft•lb) | 9 | 18 | 35 | 55 | 80 | 110 | 170 | 280 |
| Newton meter (N•m) | 12 | 24 | 47 | 74 | 108 | 149 | 230 | 379 |

| Standard Grade 8 National Fine Thread | | | | | |
|---------------------------------------|-----|------|-----|-----|-----|
| Size (in) | 3/8 | 7/16 | 1/2 | 5/8 | 3/4 |
| Foot pounds (ft•lb) | 40 | 60 | 90 | 180 | 320 |
| Newton meter (N•m) | 54 | 81 | 122 | 244 | 434 |

| Metric Class 10.9 | | | | | | |
|---------------------|-----|----|-----|-----|-----|-----|
| Size (mm) | M6 | M8 | M10 | M12 | M14 | M16 |
| Foot pounds (ft•lb) | 4.5 | 19 | 41 | 69 | 104 | 174 |
| Newton meter (N•m) | 6 | 25 | 55 | 93 | 141 | 236 |

Table 1 — Torque Table

Routine Maintenance



The G30 must be run a minimum of once every 30 days for at least 30 minutes to prevent impact damage and premature bearing failure in the compressor due to vibration. Regularly running the system will also help to vaporize and exhaust any water that has condensed and accumulated in the WHASP Tank.

In order to maintain the VMAC warranty, VMAC's maintenance schedule must be followed. Only genuine VMAC parts can be used to maintain the system.

With proper maintenance, the likelihood of premature failure or component replacement can be drastically reduced.

The most critical aspect of maintenance is proper air filtration, clean oil, and regular use. If any particles enter the compressor, they can score the rotors and contaminate the roller bearings in the compressor. Any contamination will cause rapid and severe damage to components.



In order to maintain the warranty on the G30, use only genuine VMAC parts to service the system.

Maintenance Schedule



Refer to the Honda Owner's Manual for the engine maintenance schedule and instructions.

The following maintenance schedule must be observed to maintain both the "Standard" and "Lifetime" VMAC warranties and to assure proper performance and long service life of the system. In the event of a warranty claim, VMAC may request service records.

The hours indicated are those displayed on the Control Box. Service should be performed at the lesser of the two intervals (whichever occurs first).

To order service kits, see the ordering information on page 3.

| Daily | |
|--|---|
| <ul style="list-style-type: none"> • Check compressor oil level. • Check system for leaks. | <ul style="list-style-type: none"> • Check pressure relief valve condition. |
| Every 300 hours (Engine Service Kit P/N: A500045) | |
| <ul style="list-style-type: none"> • Change engine oil. • Change engine air filter.. | <ul style="list-style-type: none"> • Change spark plug. |
| Every 6 months or 200 hours (whichever occurs first) (P/N: A700219) | |
| <ul style="list-style-type: none"> • Change compressor oil. • Change compressor oil filter. • Inspect pressure relief valve. • Change compressor air filter. | <ul style="list-style-type: none"> • Check all fasteners. • Inspect all hoses and wires for wear. • Check brackets for wear or cracking. |

Every 1 Year or 400 hours (whichever occurs first) (P/N: A700220)

- | | |
|--|--|
| <ul style="list-style-type: none"> • Change compressor oil. • Change compressor oil filter. • Inspect pressure relief valve. • Change compressor air filter. • Change blowdown muffler. | <ul style="list-style-type: none"> • Change coalescing filter. • Check all fasteners. • Inspect all hoses and wires for wear. • Check brackets for wear or cracking. |
|--|--|



Shorter service intervals are required if the equipment is used in dusty or extreme working conditions.

| Components | Part # | Interval | Extreme Conditions |
|----------------------|---------|----------------------|--------------------|
| Air filter | 3600037 | 200 hours / 6 months | 100 hours |
| Compressor oil (4 L) | A700094 | 200 hours / 6 months | 100 hours |
| Oil filter | 9200039 | 200 hours / 6 months | 100 hours |
| Coalescing filter | 3600088 | 400 hours / 1 year | 200 hours |

Service Kit Contents

| 200 Hour / 6 Month Service Kit P/N: A700219 | | |
|---|-----|---------------------------------|
| Part # | QTY | Description |
| 3600037 | 1 | Air filter |
| 9200039 | 1 | Oil filter |
| A700094 | 1 | VMAC High performance oil (4 L) |

| 400 Hour / 1 Year Service Kit P/N: A700220 | | |
|--|-----|---------------------------------|
| Part # | QTY | Description |
| 3600037 | 1 | Air filter |
| 9200039 | 1 | Oil filter |
| A700094 | 1 | VMAC High performance oil (4 L) |
| 3600088 | 1 | Spin on coalescing filter |
| 3600054 | 1 | Valve, safety, 200 psi |
| 4500104 | 1 | Muffler, Sintered Exhaust, 1/8 |

Table 2 — Compressor Service Kits

| 300 Hour Service Kit P/N: A500045 | | |
|-----------------------------------|-----|---------------------------|
| Part # | QTY | Description |
| 5400729 | 2 | Oil, 10W30, 1L |
| 5800156 | 1 | Air cleaner, dual element |
| 5800157 | 1 | Spark plug |

Figure 30 — Engine Service Kit

Engine Maintenance and Warranty Information

The VMAC G30 uses the Honda GX390UT2 engine (type: QNR2). For engine service intervals and instructions, refer to the Honda Owner's Manual supplied with the system (VMAC P/N: 1901066).

Failure to follow the instructions in the Honda Owner's Manual could result in poor engine performance, engine damage and may void the Honda engine warranty.

For all Honda engine maintenance or warranty questions, contact a local Honda Power Equipment dealer.

In Canada:

<https://powerequipment.honda.ca/where-to-buy>



In the United States

<http://engines.honda.com/dealer-locator>



Maintenance and Repair Safety



It is impossible to warn of all the possible hazards that may result from operating, servicing, or repairing this system.

Follow all safety precautions and industry standard "best practices".



- *Wear all appropriate Personal Protective Equipment and follow all industry standard safety practices.*
- *Prior to performing any service, ensure the vehicle transmission is in "PARK" with the parking brake applied and the wheels chocked (if applicable).*
- *Confirm that the system is depressurized and has cooled prior to performing any service work.*
- *Never use flammable solvents to clean any components. If a flammable solvent has been used, rinse the component thoroughly with water and dry it before reinstalling it to prevent the possibility of explosion.*
- *Use only genuine VMAC parts to maintain the system. Genuine VMAC parts are designed to work with the high pressure and heat generated by the compressor. Substituting genuine VMAC parts may void the warranty and could cause equipment damage, injury, or death.*
- *This information is intended for people with mechanical trade certification who have the tools and equipment to properly and safely perform the service or repair. Do not attempt to service or repair this system without the appropriate mechanical training, knowledge and experience.*

Safety Check List

- Open the ball valve or connect an air tool to the system to ensure all the stored air is released.
- Gently pull up on the ring on the pressure relief valve to confirm the system is depressurized.



Do not use the pressure relief valve as a means of depressurizing the compressor system. Doing so will prematurely wear the internal spring or the seat, preventing the valve from maintaining normal system pressure.

- Disconnect the negative battery terminal.
- Disconnect the spark plug wire

Regular Inspection Instructions



Read the "Maintenance and Repair Safety" section prior to performing any work on the system (beginning on page 51).

Wear appropriate Personal Protective Equipment and follow all industry standard safety practices.



The VMAC supplied and approved compressor oil must be used in this system. Failure to use this special oil will result in damage to the compressor and will void warranty.

Do not overfill the system. Overfilling the system with oil can flood the sight glass window and make the system appear empty.

Inspecting and Adding Compressor Oil

- Ensure the vehicle is parked on level ground and that the compressor system is depressurized and cool to the touch.
- Check the oil level in the sight glass and ensure that it is between the "MAX" arrow and the "ADD" arrow.

If the level is below the "ADD" arrow:*

- *Remove the fill cap on the tank (above the sight glass).
- *Using a funnel, pour oil into the fill fitting until the oil level in the sight glass reaches the "MAX" arrow.
- *Replace the fill cap and tighten securely.

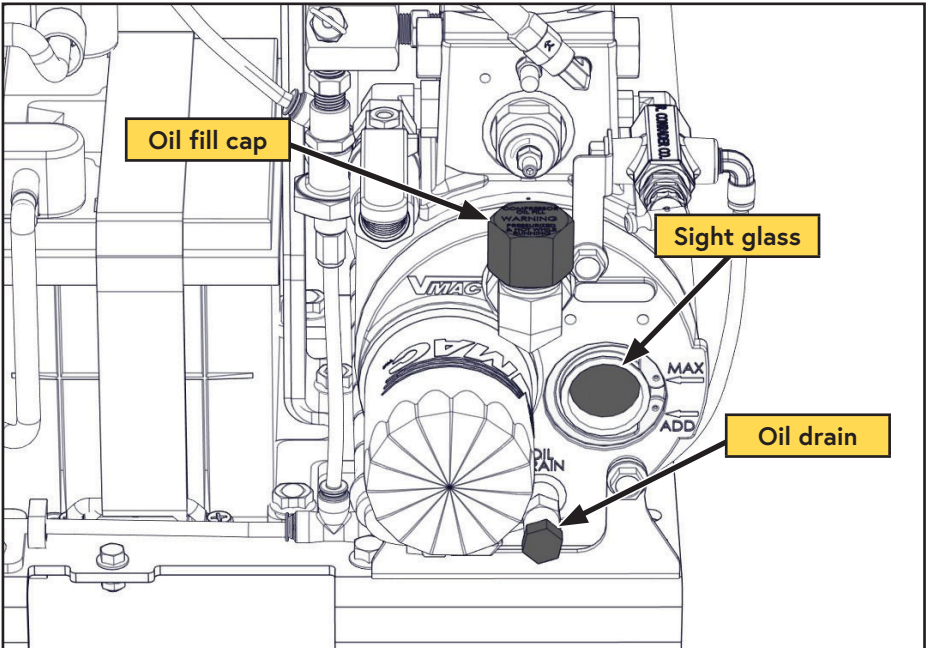


Figure 31 — Inspecting the oil

Inspecting and Replacing the Blowdown Muffler



*Read the "Maintenance and Repair Safety" section prior to performing any work on the system (beginning on page 51).
Wear appropriate Personal Protective Equipment and follow all industry standard safety practices.*

The Blowdown Muffler is a regular service item and must be replaced every 400 hours or 1 year, whichever interval occurs first.

Visually inspect the blowdown muffler for evidence of corrosion or loss of functionality. Ensure the muffler allows the blowdown to pressurize the system. To test the blowdown system and muffler:

- Turn the system on and allow it reach full system pressure (factory setting 135 psi).
- Turn the ignition key switch to "OFF".
- Listen for the pressurized air to blowdown through the muffler on the WHASP Tank. Blowdown should be completed in approximately 20 seconds.
- If the muffler is showing signs of blockage, contact a local VMAC dealer for a replacement.



A replacement blowdown muffler is included with the VMAC 1 year/400 hour service kit.

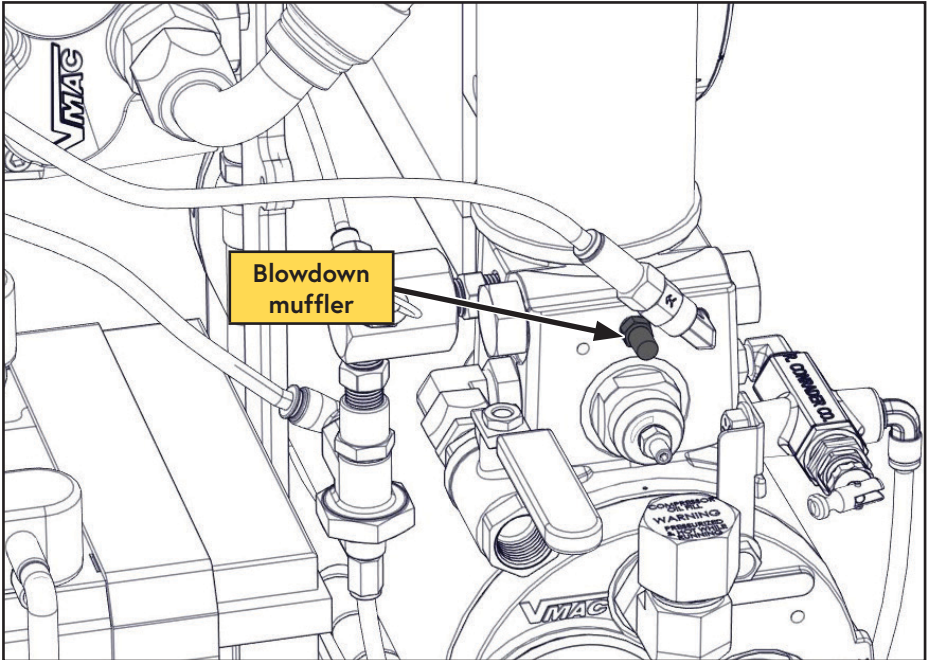


Figure 32 — Blowdown muffler (Shroud removed for clarity)

Inspecting and Replacing the Pressure Relief Valve



*Read the "Maintenance and Repair Safety" section prior to performing any work on the system (beginning on page 51).
Wear appropriate Personal Protective Equipment and follow all industry standard safety practices.*



Do not use the pressure relief valve as a means of depressurizing the compressor system. Doing so will prematurely wear the internal spring or the seat, preventing the valve from maintaining normal system pressure.

The Pressure Relief Valve is a regular service item, and must be replaced every 400 hours or 1 year, whichever interval occurs first.

Inspect the pressure relief valve for signs of corrosion or loss of functionality. To test the pressure relief valve functionality:

- Visually inspect the valve and ensure it is not corroded and that the vent holes are not plugged.
- Turn the system on and allow it reach full system pressure (factory setting 135 psi).
- Ensure that air does not leak out of the valve. Air leaking from the pressure relief valve when system pressure is at or below 135 psi indicates that the spring in the valve is worn and the valve must be replaced.
- If the pressure relief valve is showing loss of functionality, contact a local VMAC dealer for a replacement.



A replacement pressure relief valve is included with the VMAC 400 hour service kit.

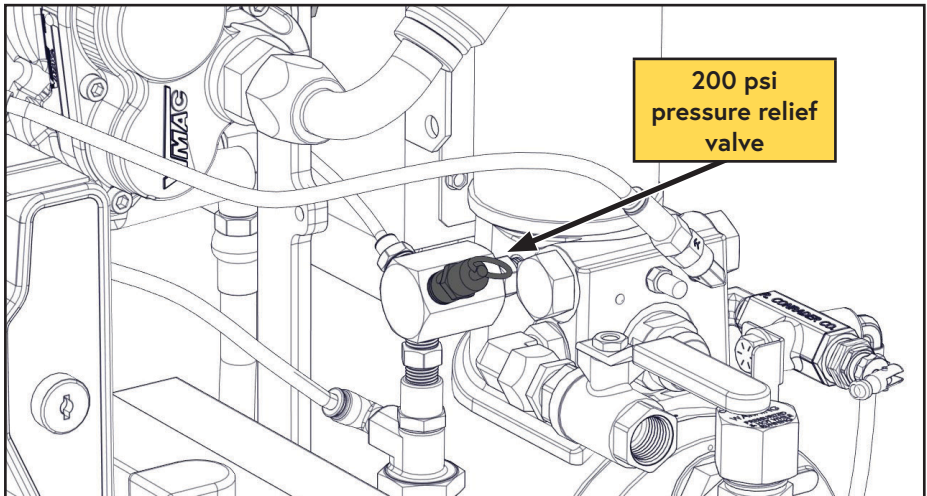


Figure 33 — Pressure relief valve (Shroud removed for clarity)

Inspecting and Replacing the Air Filter



Read the "Maintenance and Repair Safety" section prior to performing any work on the system (beginning on page 51).

Wear appropriate Personal Protective Equipment and follow all industry standard safety practices.

- Clean loose debris from the area around the compressor and the filter cover to prevent contaminants entering the compressor.
- Remove the filter cover retainer knob, the air filter cover and the air filter element.
- Immediately cover the compressor opening with tape or with a clean cloth to prevent contamination. Do not use compressed air or perform any other tasks around the compressor until the filter and cover have been replaced.
- Clean the inside of the filter cover with a clean, dry cloth. Do not use flammable solvents to clean the inside of the cover.
- Remove the cloth or tape covering the inlet and install a new air filter. Ensure the filter fits over the "step" on the filter plate.
- Replace the cover and secure it with the filter cover retainer knob. Do not overtighten.

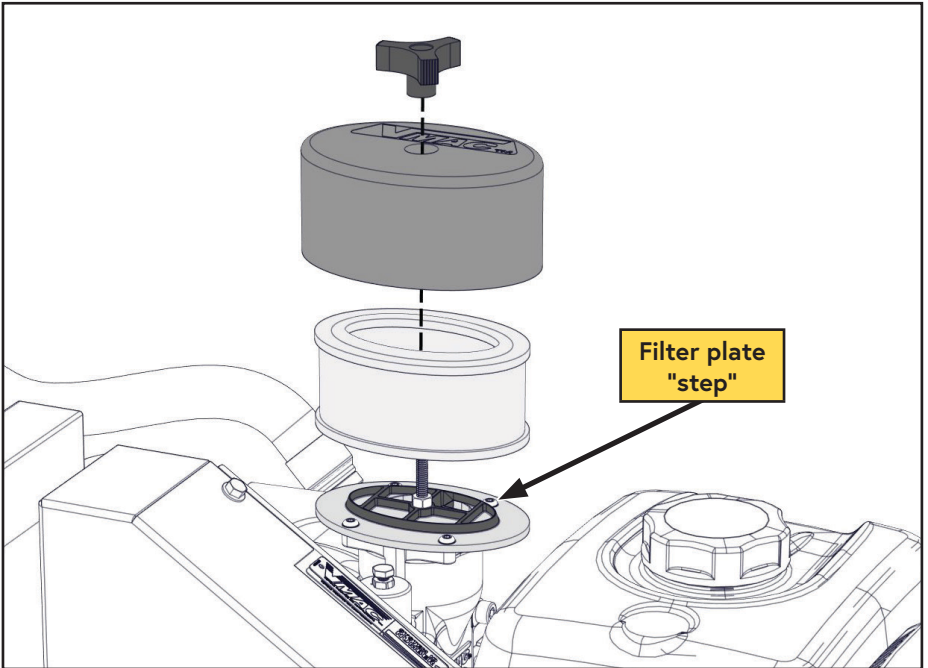


Figure 34 — Compressor air filter and cover

Inspecting and Replacing the Drive Belts



*Read the "Maintenance and Repair Safety" section prior to performing any work on the system (beginning on page 51).
Wear appropriate Personal Protective Equipment and follow all industry standard safety practices.*

Check the drive belt for evidence of glazing, cracks, missing or damaged ribs or damage to the belt edges and surface. If the drive belt is damaged, install a new drive belt.

Inspect both pulleys and the idler for damage. If any of the components show cracks, chipping, impact damage or any other indications of physical damage, replace the component.

If the damage indicates possible misalignment, check the pulley alignment. If the pulleys are not properly aligned, check all fasteners to ensure that they are properly torqued and that there are no loose or worn components.

- Remove the (x10) fasteners from the belt guard and remove the belt guard (Figure 81 on page 99).
- Using a 3/8 in drive, remove tension from the drive belt and discard it.
- Install the new drive belt (Figure 85 on page 101).
- Tension the new drive belt.
- Apply Loctite 242 (blue) to the (x10) fasteners and reinstall the belt guard.

Refer to the IPL (starting on page 107) for the belt and tensioner part numbers.

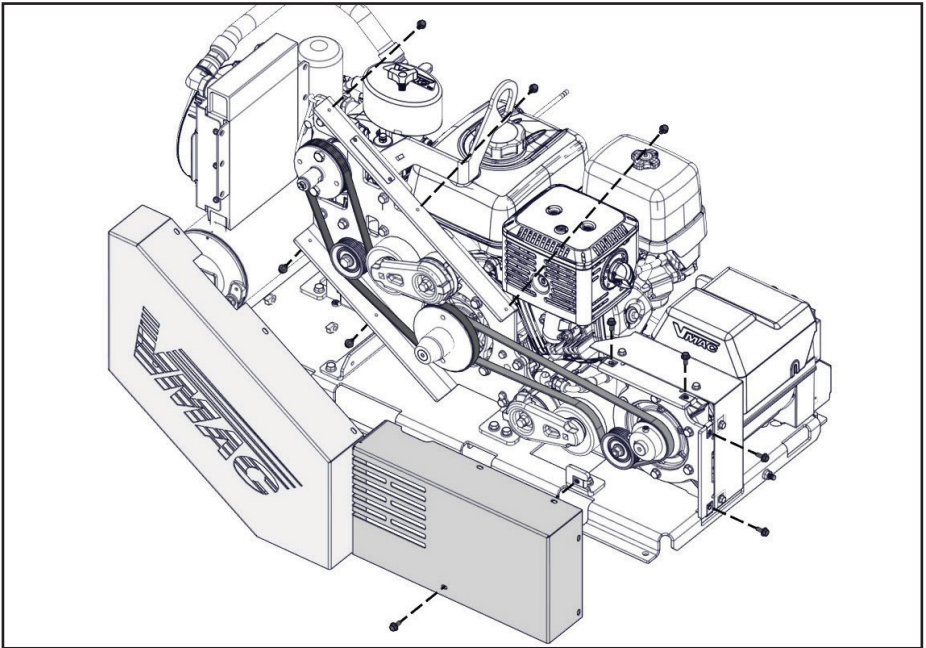


Figure 35 — Compressor and generator belts

General Service Information



Read the "Maintenance and Repair Safety" section prior to performing any work on the system (beginning on page 51).

Wear appropriate Personal Protective Equipment and follow all industry standard safety practices.

- If the system is cold, operate the compressor system for a few minutes to bring the compressor oil to operating temperature. Warming the system will allow the oil to flow better and will also help to suspend contaminants in the oil allowing them to be removed from the system with the old oil.
- Shut the compressor down.
- Ensure the system is fully depressurized prior to beginning any service work.
- Check the old oil for any evidence of metal filings or contamination. If any metal filings are found, flush the hoses and the ASP using the VMAC flushing kit (P/N: A700214).

PTFE Tubing, Loom, and Push-To-Connect Fittings

- PTFE tubing should only be cut using proper tubing cutters. Side cutters, utility knives, etc. will deform the tube, preventing a proper seal (or leave sharp edges which cut the internal O-ring).
- When applying loom to the PTFE tube, leave approximately 1 in between the loom and the fitting.
- Ensure the tube is clean, cut at 90° and that there are not sharp edges.
- Lubricate the tube and, with the collet pushed into the fitting, firmly push the tube into the fitting until the tube is fully seated.
- Slide the collet out, away from the body of the fitting to lock the tubing in place.
- Ensure the tube does not have any "play" to prevent the O-ring from wearing.

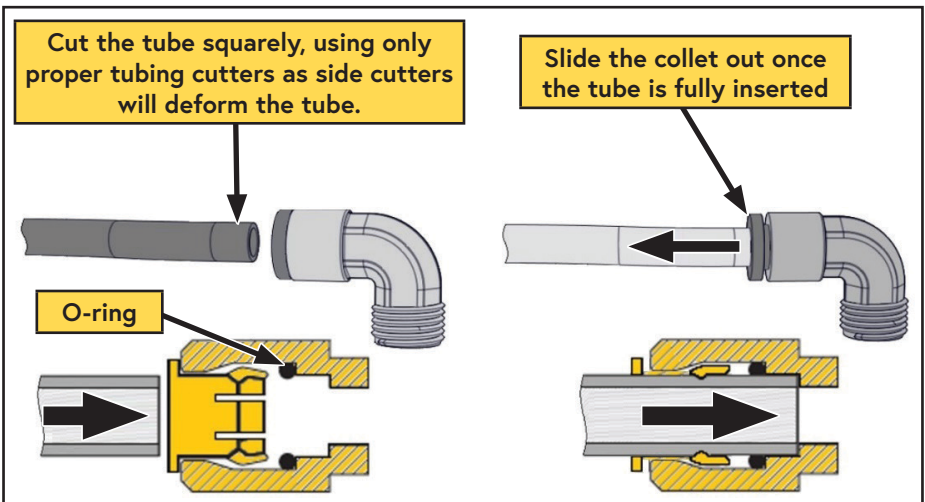


Figure 36 — Push-to-connect fittings

200 Hour / 6 Month Service Compressor Service



Read the "Maintenance and Repair Safety" section prior to performing any work on the system (beginning on page 51).

Wear appropriate Personal Protective Equipment and follow all industry standard safety practices.



Do not use compressed air or perform any other tasks around the air filter and cover until both are replaced. Never clean the filter element with compressed air as this may allow contaminants to enter the compressor system. Always replace the air filter element during this service.



Do not overfill the system. Overfilling the system with oil can flood the sight glass window and make the system appear empty.

- Inspect the blowdown muffler (page 53).
- Inspect the pressure relief valve (page 54).
- Replace the air filter (page 55).
- Inspect the drive belt (page 56).
- Clean the area around the WHASP Tank and the oil filter to prevent contamination.



Dependant upon the mounting location of the G30, the Remote Oil Drain Kit (P/N: A500043) may help facilitate draining the compressor oil.

- Remove the oil drain plug and drain the oil into a container with a capacity of at least 4 L (1 USG) (Figure 37).

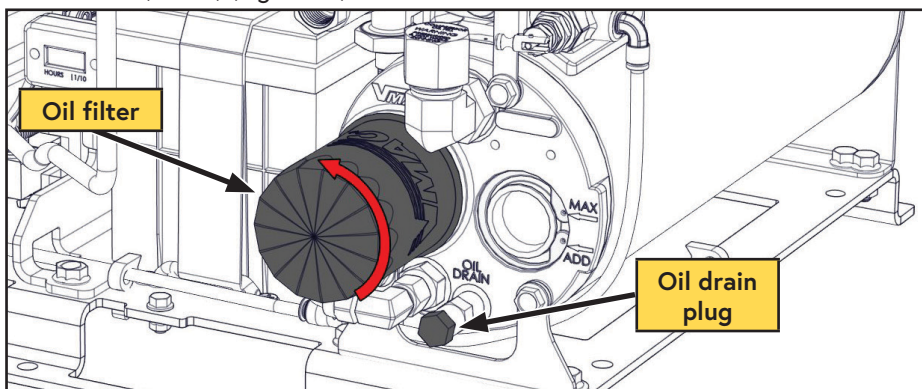


Figure 37 — Compressor oil filter

- Inspect the Viton O-ring on the oil drain plug for damage, hardness or defects and replace if necessary.

- Install and tighten the oil drain plug.
- Remove the oil filter (Figure 37 on page 58).
- Ensure the threaded nipple did not unscrew with the oil filter.

If the nipple came out with the oil filter, remove it from the filter, being careful to avoid damaging the threads:*

- *To reinstall the nipple, thoroughly clean the threads and apply Loctite 242 (blue) to the end with the short threads and replace it in the AOST (Figure 38).
- Clean the gasket sealing surface on the front of the tank and inspect it for damage. The surface must be free of old gasket material and smooth to ensure a good seal (Figure 38).

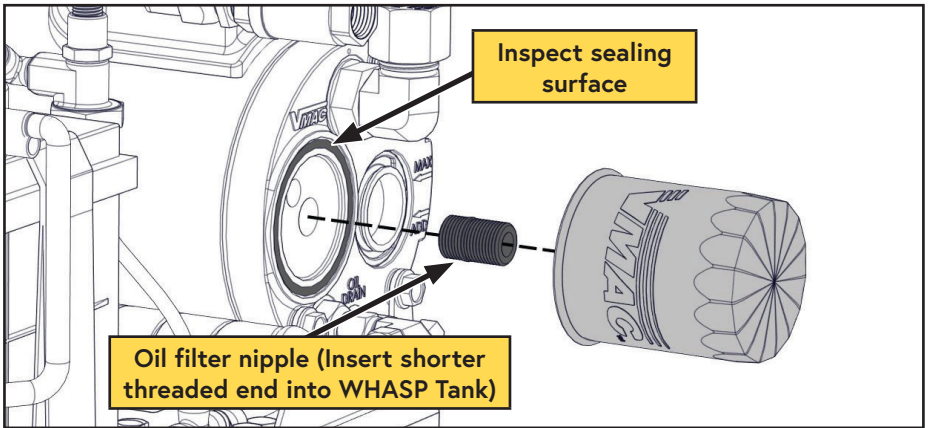


Figure 38 — Compressor oil filter

- Apply a thin coat of compressor oil to the rubber gasket on the oil filter.
- Spin the filter onto the threaded nipple until the gasket contacts the sealing surface on the tank, then tighten the filter an additional 3/4 to 1 turn to seat the gasket.
- Remove the filler cap on the WHASP Tank. Fill the WHASP Tank with VMAC compressor oil until it reaches the "MAX" mark. The air compressor system holds approximately 4 L (1 USG) of oil (Figure 39).

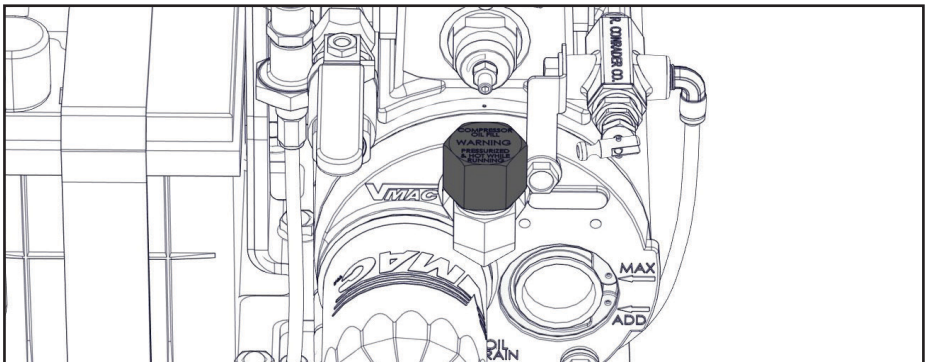


Figure 39 — Compressor oil fill

- Check the oil level at the sight glass on the front of the WHASP Tank. Continue adding oil until the level is correct.
- Reinstall the fill cap.
- Inspect all wire harnesses for any signs of wear. If signs of wear are present, apply protective loom as necessary and secure with rubber coated P-clips or cable ties.
- Inspect all hoses and tubes for any signs of wear. If signs of wear are present, take appropriate action to prevent further wear
- Check all of the fasteners.
- Start the engine and check for oil leaks.
- Allow the system to build to pressure (factory setting 135 psi) and for the engine speed to decrease to base idle.
- Turn off the engine.
- Once the system has sat for 5 minutes, check the oil level through the sight glass. The level must be between the "MIN" and "MAX" level indicators.
- Verify there are no oil leaks.

400 Hour / 1 Year Service Compressor Service



*Read the "Maintenance and Repair Safety" section prior to performing any work on the system (beginning on page 51).
Wear appropriate Personal Protective Equipment and follow all industry standard safety practices.*



Do not use compressed air or perform any other tasks around the air filter and cover until both are replaced. Never clean the filter element with compressed air as this may allow contaminants to enter the compressor system. Always replace the air filter element during this service.



Do not overfill the system. Overfilling the system with oil can flood the sight glass window and make the system appear empty.

- Apply thread sealant and replace the blowdown muffler (page 53).
- Apply thread sealant and replace the pressure relief valve (page 54).
- Replace the air filter (page 55).
- Inspect the drive belt (page 56).
- Clean the area around the WHASP Tank and the oil filter to prevent contamination.



Dependant upon the mounting location of the G30, the Remote Oil Drain Kit (P/N: A500043) may help facilitate draining the compressor oil.

- Remove the oil drain plug and drain the oil into a container with a capacity of at least 4 L (1 USG) (Figure 40).

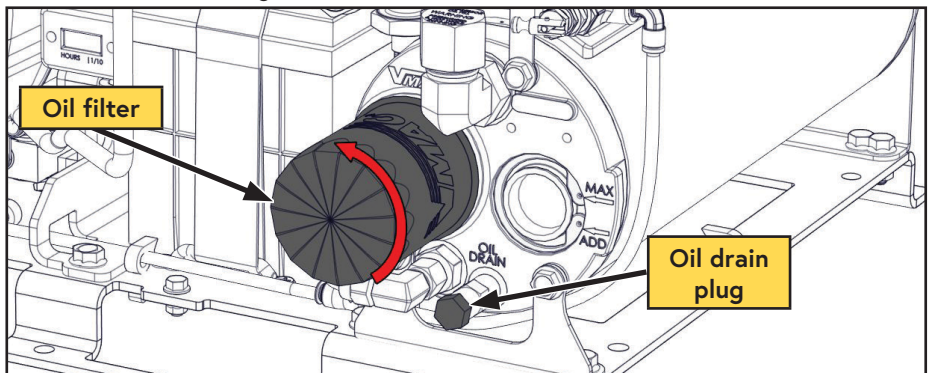


Figure 40 — Compressor oil filter

- Inspect the Viton O-ring on the oil drain plug for damage, hardness or defects and replace if necessary.

- Install and tighten the oil drain plug.
- Remove the oil filter (Figure 40 on page 61).
- Ensure the threaded nipple did not unscrew with the oil filter.

If the nipple came out with the oil filter, remove it from the filter, being careful to avoid damaging the threads:*

- *To reinstall the nipple, thoroughly clean the threads and apply Loctite 242 (blue) to the end with the short threads and replace it in the AOST (Figure 41).
- Clean the gasket sealing surface on the front of the tank and inspect it for damage. The surface must be free of old gasket material and smooth to ensure a good seal. (Figure 41).

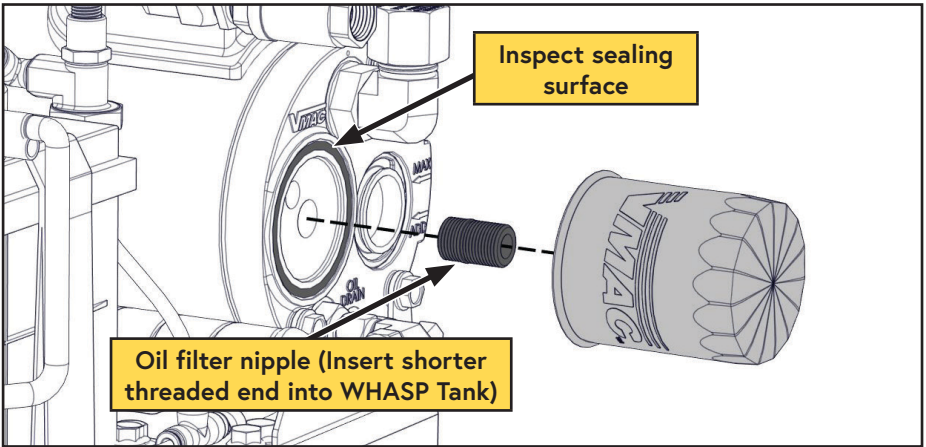


Figure 41 — Compressor oil filter

- Apply a thin coat of compressor oil to the rubber gasket on the oil filter.
- Spin the filter onto the threaded nipple until the gasket contacts the sealing surface on the tank, then tighten the filter an additional 3/4 to 1 turn to seat the gasket.
- Remove the filler cap on the WHASP Tank. Fill the WHASP Tank with VMAC compressor oil until it reaches the "MAX" mark. The air compressor system holds approximately 4 L (1 USG) of oil (Figure 42).

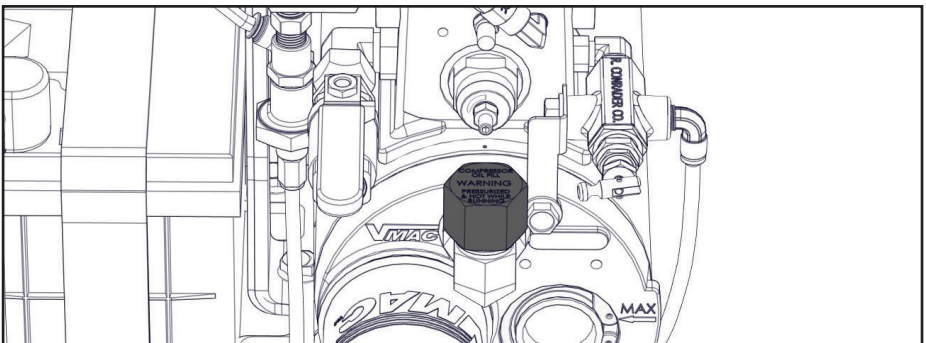


Figure 42 — Compressor oil fill

- Check the oil level at the sight glass on the front of the WHASP Tank. Continue adding oil until the level is correct.
- Reinstall the fill cap.
- Clean the WHASP Tank around the coalescing filter to prevent contamination.
- Remove the spin on coalescing filter by turning it counterclockwise (Figure 43).

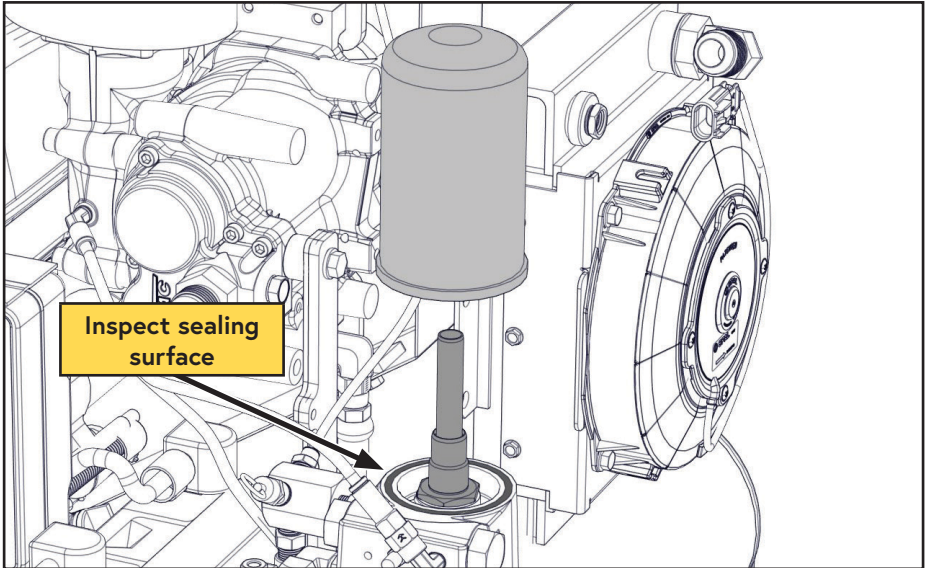


Figure 43 — Coalescing filter

- Clean the gasket sealing surface and inspect it for damage. The surface must be free of old gasket material and smooth to ensure a good seal (Figure 43).
- Apply a thin coat of compressor oil to the rubber gasket on the new coalescing filter.
- Spin the new filter onto the threaded nipple until the gasket contacts the sealing surface on the tank, then tighten the filter an additional 3/4 to 1 turn to seat the gasket.
- Inspect all wire harnesses for any signs of wear. If signs of wear are present, apply protective loom as necessary and secure with rubber coated P-clips or cable ties.
- Inspect all hoses and tubes for any signs of wear. If signs of wear are present, take appropriate action to prevent further wear
- Check all of the fasteners.
- Start the engine and check for oil leaks.
- Allow the system to build to pressure (factory setting 135 psi) and for the engine speed to decrease to base idle.
- Turn off the engine.
- Once the system has sat for 5 minutes, check the oil level through the sight glass. The level must be between the "MIN" and "MAX" level indicators.
- Verify there are no oil leaks.

300 Hour Engine Service



Read the "Maintenance and Repair Safety" section prior to performing any work on the system (beginning on page 51). Wear appropriate Personal Protective Equipment and follow all industry standard safety practices.



These instructions are taken from the Honda GX390 Owner's Manual and are included for convenience. VMAC strongly recommends reading the Honda GX390 Owner's Manual to ensure that all system checks and services are completed as per Honda's recommendations in order to maintain the Honda engine warranty.

- Locate the engine oil drain and clean the area around the drain plug and dipstick to prevent contamination (Figure 44).

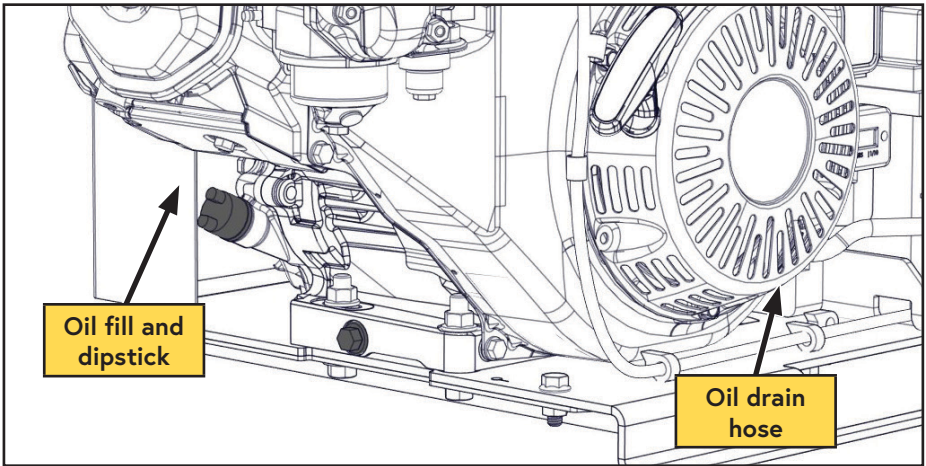


Figure 44 — Engine oil drain



Drain the used oil when the engine is warm. Warm oil drains quickly and completely.

- Drain the engine oil into a receptacle large enough to hold at least 1/2 USG (2 L).
- Remove the oil filler cap/dipstick, oil drain plug and washer.
- Allow the used oil to drain completely, then reinstall the oil drain plug and new washer (not supplied), and tighten the oil drain plug securely



To check the oil level, insert and remove the dipstick without screwing it into the filler hole.

- With the engine in a level position, fill to the upper limit mark on the dipstick. Engine oil capacity is 1.2 US qt (1.1 L).
- Screw in the oil filler cap/dipstick and tighten securely.

- Remove the wing nut from the air cleaner cover, and remove the cover (Figure 45).

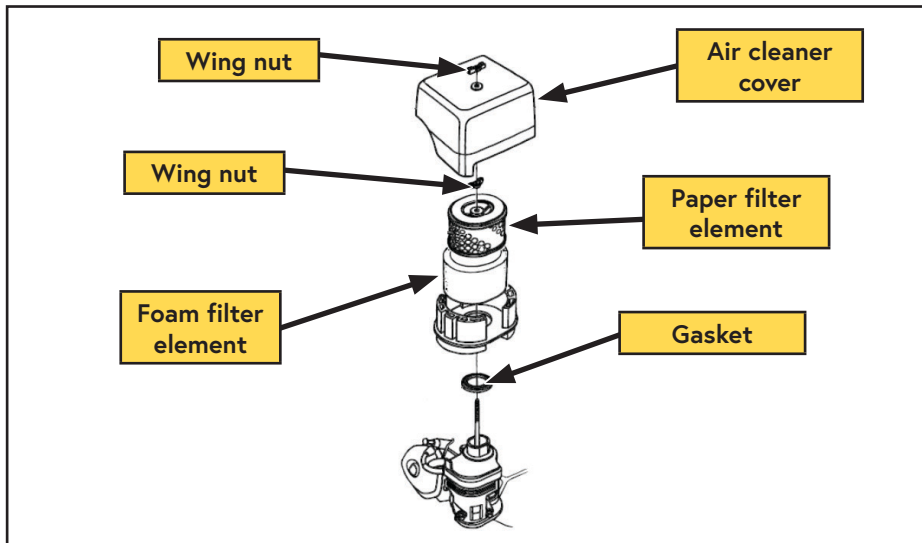


Figure 45 — Replacing the dual element air filter

- Remove the wing nut from the air filter, and remove the filter.
- Remove the foam filter from the paper filter.
- Install the new dual element air filter.
- Reinstall in the reverse order.
- Remove any dirt from around the spark plug area.
- Remove the spark plug with a 13/16-inch spark plug wrench.
- Measure the new spark plug's electrode gap with a wire type feeler gauge. Correct the gap, if necessary, by carefully bending the side electrode. The gap should be: 0.028 - 0.031 in (0.70 - 0.80 mm).
- Install the spark plug carefully, by hand, to avoid cross threading.
- After the spark plug is seated, tighten with a 13/16-inch spark plug wrench 1/2 turn after the spark plug seats to compress the washer.



A loose spark plug can overheat and damage the engine. Overtightening the spark plug can damage the threads in the cylinder head.

Completing the service

- Attach the spark plug cap to the spark plug.
- Connect the negative battery cable.
- Start the G30 and verify there are no leaks.
- Once the system has reached normal operating temperature and built to full system pressure, shut the system down.
- Check the engine oil level after the engine has been shut down and the oil level has had time to stabilize.

Diagnostics and Trouble Shooting



Read the "Maintenance and Repair Safety" section prior to performing any work on the system (beginning on page 51). Wear appropriate Personal Protective Equipment and follow all industry standard safety practices.



For the following tests, isolate the G30 from all downstream (customer supplied) equipment.



If the G30 system is still within the warranty period, see the warranty claim process on page 10 prior to commencing with any diagnostics or repairs.

Problem diagnosis should follow sound, recognized practices. Quick and accurate diagnosis of problems will involve the following:

- Follow industry standard safety practices.
- Accurately identify the problem by operating the system (provided it is safe to do so).
- Determining the possible causes for the problem by understanding how the system operates.
- Isolating the potential causes by accurate testing using the correct and recognized procedures.
- Performing proper repairs using the correct procedures and the recommended replacement parts.
- Performing proper post repair testing to ensure that the repairs were effective.
- Electrical testing should be performed according to the processes described in the troubleshooting charts and in conjunction with any documentation provided by VMAC.
- Additional troubleshooting and specific test procedures can be found on VMAC's Knowledge Base www.kb.vamacair.com.



Key Temperatures

| |
|--|
| Cooler fan enable |
| The cooling fan on the WHASP Tank will run any time the WHASP fan temperature switch detects temperatures above 80 °C (176 °F) |
| Over temperature |
| The system will automatically shut down when the compressor oil temperature reaches 140 °C (284 °F). The system will not restart until the compressor oil temperature drops below 139 °C (282 °F) |

Symptoms

Engine

| Symptom | Possible Cause | Corrective Action |
|------------------------|---|---|
| Engine will not crank. | Battery discharged. | Charge or replace battery. Use recoil pull start. |
| | | Use recoil pull start (<i>see yellow note on page 37</i>). |
| | Fuel shut off lever left on during transport, fuel flooded crank case and cylinder. | Remove spark plug. Use recoil starter to drain cylinder. Change oil and filter. |

| Symptom | Possible Cause | Corrective Action |
|-------------------------------|--|--|
| Engine rpm does not decrease. | Throttle tube frozen, plugged or obstructed. | Clean or replace tube. |
| | Throttle actuator failure. | Replace actuator. |
| | Discharge valve failure. | Replace discharge valve. |
| | Inlet regulator pressure set too close to unloader valve pressure setting. | Follow the inlet regulator adjusting steps on page 74. |
| | Throttle is set to "GENERATOR ON". | Set throttle to "COMPRESSOR ON". |

| Symptom | Possible Cause | Corrective Action |
|-------------------------------|---|--|
| Engine rpm does not increase. | Unloader valve manually activated. | Manually disengage unloader valve. |
| | Inlet valve regulator pressure set too low. | Adjust inlet valve regulator to increase pressure. |
| | Discharge valve failure. | Replace discharge valve. |
| | Throttle actuator failure. | Replace actuator. |

| Symptom | Possible Cause | Corrective Action | |
|------------------------|--|--|--|
| Engine will not start. | Fuel lever off. | Turn fuel lever on. | |
| | Starting with pressure in the compressor. | Check blowdown function. | |
| | Compressor temperature too high. | Diagnose and repair. | |
| | Compressor temperature switch faulty. | Replace switch. | |
| | Low engine oil. | Add oil to engine. | |
| | Low fuel in engine. | Add fuel to engine. | |
| | Spark plug gap. | Replace spark plug. | |
| | Engine air intake restricted. | Remove restriction / replace air filter. | |
| | Engine exhaust system plugged or restricted. | Clean or replace exhaust / spark arrester. | |
| | Fuel bowl / filter plugged or restricted. | Clean or replace. | |
| | Battery discharged. | Charge or replace battery. | |
| | Starter failure. | | Replace starter. |
| | | | Use recoil pull start (see yellow note on page 37) |

| Symptom | Possible Cause | Corrective Action |
|---------------------|------------------------------|--|
| Battery discharged. | Ignition key left on. | Turn ignition key to "OFF" when system not in use. |
| | | Repair/replace harness. |
| | Faulty Battery. | Replace battery. |
| | Harness connections / short. | Clean connections. Repair harness. Charge battery. |
| | System not charging. | See yellow note on page 37. |
| Inspect magneto. | | |

| Symptom | Possible Cause | Corrective Action |
|----------------------|----------------------|--|
| Excessive vibration. | Loose fasteners. | Torque fasteners, use appropriate thread locking compound. |
| | Belt or pulley worn. | Replace components as needed. |

| Symptom | Possible Cause | Corrective Action |
|----------------|--|---|
| Engine Stalls. | Low fuel in engine. | Add fuel to engine. |
| | Contaminated fuel. | Clean fuel tank and carburetor and fill with clean fuel. |
| | Compressor pressure set too high. | <ul style="list-style-type: none"> Lower compressor air pressure to approx. 135 psi. Ensure unloader activates (rpm decreases). |
| | Starting compressor under pressure. | Ensure system is depressurizing on shut down. |
| | Operating at too high of an elevation. | See section on elevation on page 29. |
| | Low engine oil. | Add oil to engine. |
| | Spark plug gap. | Replace spark plug. |
| | Spark arrester clogged. | Clean or replace the spark arrester. |
| | Mounted in enclosure. | See enclosure mounting parameters on page 16. |
| | Compressor engaged while generator in use. | Ensure unloader valve is triggered while using generator. |

| Symptom | Possible Cause | Corrective Action |
|------------------|----------------------------|--|
| Engine overheat. | High ambient temperatures. | Reduce duty cycle. |
| | Low engine oil level. | Check engine oil level with equipment on level ground. |
| | Cooling intake plugged. | Correct problem. |
| | Insufficient ventilation. | Correct problem. |
| | Spark arrester fouled. | Clean spark arrester. |
| | Mounted in enclosure. | See enclosure mounting parameters on page 16. |

Compressor

| Symptom | Possible Cause | Corrective Action |
|--|--|---|
| Oil comes out of the blowdown muffler. | Operating angle more than 15° from horizontal. | Reduce operating angle. |
| | Compressor oil overfilled | Check oil level with equipment on level ground. |
| | Faulty blowdown shuttle valve. | Replace blowdown shuttle valve. |
| | Blowdown valve failure. | Replace blowdown valve assembly. |

| Symptom | Possible Cause | Corrective Action |
|---|--|---|
| Compressor will not build to set pressure (Verified by pressure gauge). | Defective downstream equipment (Filter Regulator Lubricator, fittings, hose reel). | Replace as required with suitable components. |
| | Unloader valve manually activated. | Manually disengage unloader valve. |
| | Excessive leakage through blowdown muffler. | Replace blowdown shuttle valve. |
| | Plugged or dirty compressor air filter. | Replace air filter. |
| | Drive belt slipping. | Check belt. |
| | Leaks in air lines. | Replace components as needed. |
| | Pressure relief valve leaking. | Replace pressure relief valve. |
| Inlet valve regulator set too low. | Adjust inlet valve regulator. See page 74. | |

| Symptom | Possible Cause | Corrective Action |
|--|---|-------------------------------|
| Compressor building above set pressure (Verified by pressure gauge) or pressure relief valve venting at 200 psi. | Pressure control tube plugged or frozen. | Remove and clear the tube. |
| | Defective inlet or poppet O-ring. | Replace O-ring. |
| | Defective inlet valve. | Replace inlet assembly. |
| | Plugged or restricted pressure control tube | Replace components as needed. |
| | Unloader valve out of adjustment or failed. | Replace unloader valve. |

| Symptom | Possible Cause | Corrective Action |
|----------------------------------|--|--|
| Excessive oil in the air stream. | Clogged scavenge tube or fitting. | Clean or replace. |
| | Coalescing separator failure. | Replace coalescing filter. |
| | Compressor oil overfilled. | Check oil level with equipment on level ground. |
| | Operating angle more than 15° from horizontal. | Reduce operating angle. |
| | Incorrect start up / shut down procedures. | Observe start up / shut down procedures detailed in this manual. |

| Symptom | Possible Cause | Corrective Action |
|---|-----------------------------------|-------------------|
| Air leaking from small hole in inlet valve regulator cap. | This is normal and as per design. | None required. |

| Symptom | Possible Cause | Corrective Action |
|-----------------------------|---|----------------------------------|
| Blowdown does not function. | Scavenge tube frozen, plugged or obstructed | Clean or replace tube. |
| | Blowdown muffler plugged or obstructed. | Replace muffler. |
| | Blowdown valve failure. | Replace blowdown valve assembly. |

| Symptom | Possible Cause | Corrective Action |
|--|----------------------------------|--------------------------------|
| Pressure relief valve venting below 200 psi. | Defective pressure relief valve. | Replace pressure relief valve. |

| Symptom | Possible Cause | Corrective Action |
|----------------------------|---|---|
| WHASP fan not functioning. | Damaged harness or connector. | Inspect/repair connector pins. Repair/replace harness. |
| | Verify fan temperature switch is functioning. | See "Fan temperature switch" on page 88. |
| | Battery is dead. | See yellow note on page 37. |
| | Blown fuse. | Replace 15 A fuse. |
| | Fan motor faulty | Replace Fan. |

| Symptom | Possible Cause | Corrective Action |
|----------------------|--|--|
| Compressor overheat. | Low compressor oil level. | Check oil level with equipment on level ground. |
| | Wrong compressor oil used. | Flush and replace with VMAC approved compressor oil. |
| | Oil condition. | Service compressor. |
| | Plugged compressor oil filter. | Replace oil filter. |
| | WHASP Cooler not functioning or plugged. | Clean or replace the WHASP Tank |
| | WHASP Cooling fan not functioning. | See "WHASP fan not functioning." on page 71. |
| | High ambient temperatures. | Reduce duty cycle. |
| | Oil temperature switch failure. | Replace if defective. |
| | Restricted oil lines. | Check for kinked or pinched lines. |
| | Mounted in enclosure. | See enclosure mounting parameters on page 16. |

Generator

| Symptom | Possible Cause | Corrective Action |
|-------------------------------------|---|---|
| No voltage from generator. | 120 V GFCI receptacle tripped. | Reset 120 V GFCI receptacle. |
| | 120 V receptacle failed. | Replace 120 V GFCI receptacle. |
| | 20 A thermal breaker triggered. | Reset 20 A breaker. |
| | Automatic Voltage Regulator (AVR) fault. | Replace AVR fuse. |
| | | Replace AVR. |
| Brushes worn. | Replace generator. | |
| | | Replace generator. |
| Symptom | Possible Cause | Corrective Action |
| Low voltage from generator. | Engine speed too low. | <ul style="list-style-type: none"> • Ensure throttle is set to "GENERATOR ON". • Ensure unloader valve is actuated. |
| | Throttle actuator failure. | Replace throttle actuator. |
| Symptom | Possible Cause | Corrective Action |
| Voltage fluctuation from generator. | Unloader valve not engaged and compressor in use. | Discontinue air usage and engage unloader valve. |

Diagnostic Tools

VMAC Air Test Tool (P/N: A700052)

To properly diagnose the G30, a VMAC Air Test Tool (P/N: A700052), or equivalent, is required. For testing and diagnosis, install the 30 cfm (1/8 in) orifice (Figure 46).

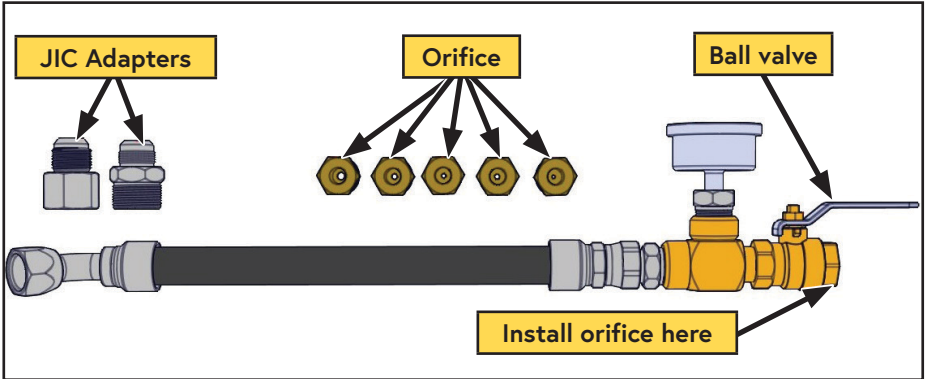


Figure 46 — A700052 VMAC Air Test Tool

PTFE Test Tool

A PTFE test tool can be constructed and used to test the unloader valve and throttle actuator function (Figure 47).

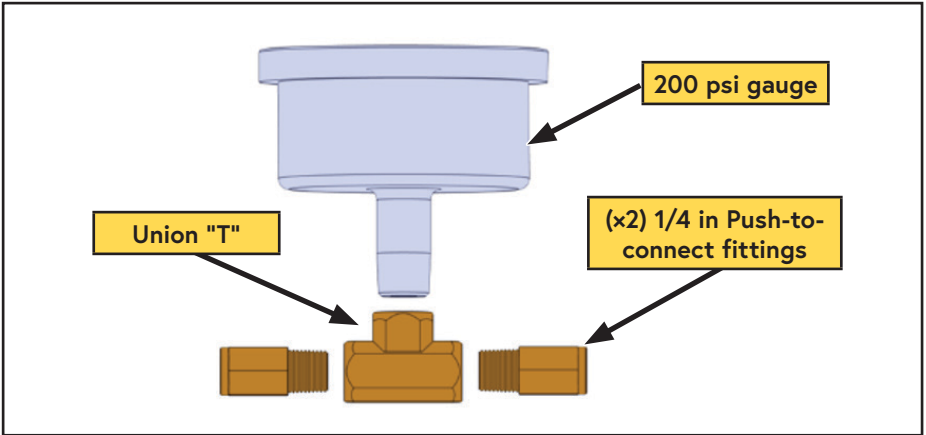


Figure 47 — PTFE Test Tool

System Adjustments

The G30 is tuned at the factory for optimum performance and should not require further adjustment.

This information is provided to assist operators in returning the system to factory specifications in the event that it has been field adjusted and/or no longer performs as intended.

When tuned correctly, the G30 will operate at high rpm until the unit has built to full system pressure (135 psi) and then will "unload" and reduce engine speed to base idle.

In order for the system to "unload" and reduce engine speed, both the inlet pressure regulator, and the unloader valve must be adjusted to the correct values.



Prior to making any adjustments, run the system for a minimum of 3 minutes or until the WHASP Tank fan turns on, as all adjustments must be made while the system at operating temperature.



Prior to adjusting the unloader valve, the inlet pressure regulator must be set to 140 psi.

Adjusting the Inlet Pressure Regulator



Read the "Maintenance and Repair Safety" section prior to performing any work on the system (beginning on page 51).

Wear appropriate Personal Protective Equipment and follow all industry standard safety practices.

- Disconnect the PTFE tube connected to the unloader valve.
- Remove the push-to-connect fitting from the unloader valve and plug the valve using a 1/8 in NPT plug (Figure 48).

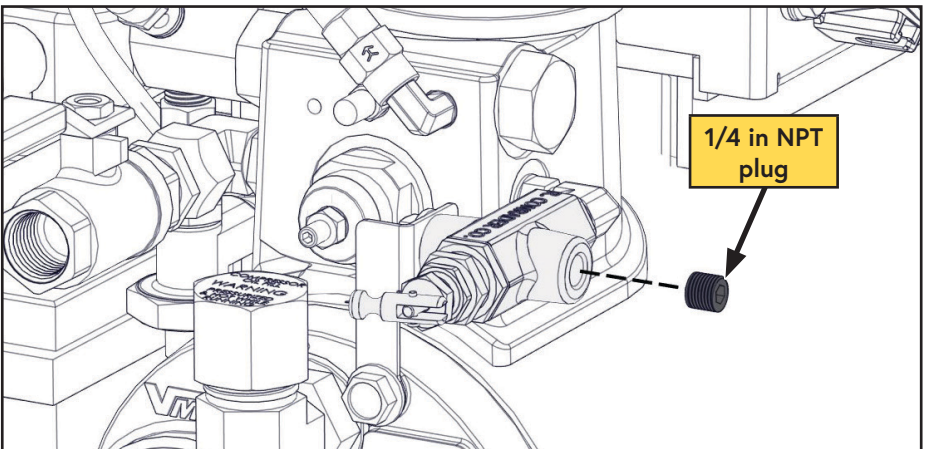


Figure 48 — Plug unloader valve

- ❑ Connect the VMAC Air Test Tool (P/N: A700052) to the discharge fitting of the WHASP Tank.
- ❑ With the ball valve on the test tool closed, run the system and note the maximum pressure achieved (factory default is 140 psi).
- ❑ Shut the system down and discharge any stored air.

If the inlet pressure regulator is not adjusted to 140 psi



The following steps require working on the system while it is at normal operating temperature, special care must be taken to prevent injury from burns as the surfaces of the unit are hot!

- ❑ Make a locating mark on the pressure adjusting bolt to assist in making adjustments.
- ❑ Loosen the locknut on the regulator (Figure 49).

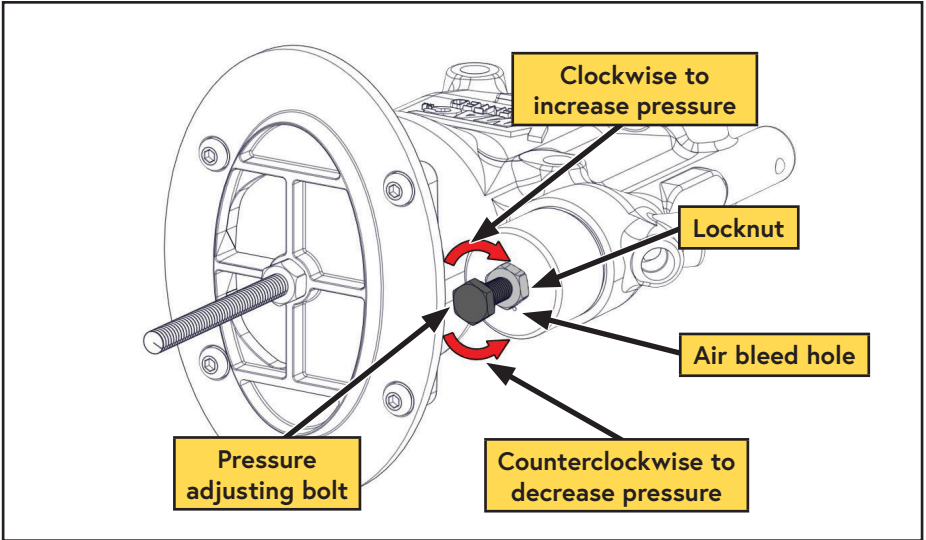


Figure 49 — Adjusting the inlet pressure regulator



Each 1/4 rotation of the adjusting bolt is equivalent to approximately 6 – 7 psi.

- ❑ Rotate the pressure adjusting bolt as required to set the regulated pressure to 140 psi. (Figure 49).
- ❑ Tighten the locknut.
- ❑ Test the system.

Once the inlet regulator is adjusted correctly

- ❑ Remove the 1/8 in NPT plug from the unloader valve and install the push-to-connect fitting (Figure 48).
- ❑ Connect the PTFE tube to the unloader valve.

Adjusting the Unloader Valve



The following steps require working on the system while it is at normal operating temperature, special care must be taken to prevent injury from burns as the surfaces of the unit are hot!



Prior to adjusting the unloader valve, the inlet pressure regulator must be set to 140 psi (see page 74).



Make very small adjustments (1/8 turn or less) to the unloader valve as it is very sensitive.

- Ensure the inlet pressure regulator is set to 140 psi.
- Make a locating mark on both the "Pressure Adjustment Locknut" and the "Pressure Adjustment Screw" (Figure 50).

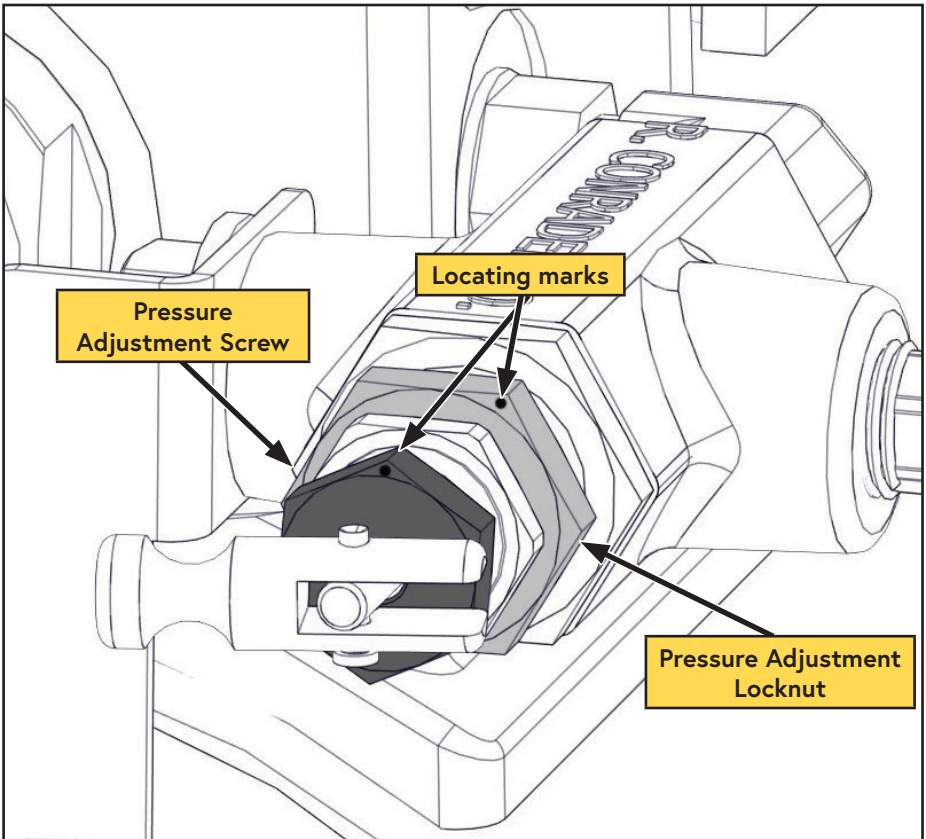


Figure 50 — Adjusting the Unloader Valve



The unloader valve is sensitive to very small adjustments.

To prevent inadvertently rotating the "Pressure Adjustment Screw", hold the "Pressure Adjustment Screw" securely when tightening loosening or tightening the "Pressure Adjustment Locknut".

- While securely holding the "Pressure Adjustment Screw", loosen the "Pressure Adjustment Locknut" (Figure 51).

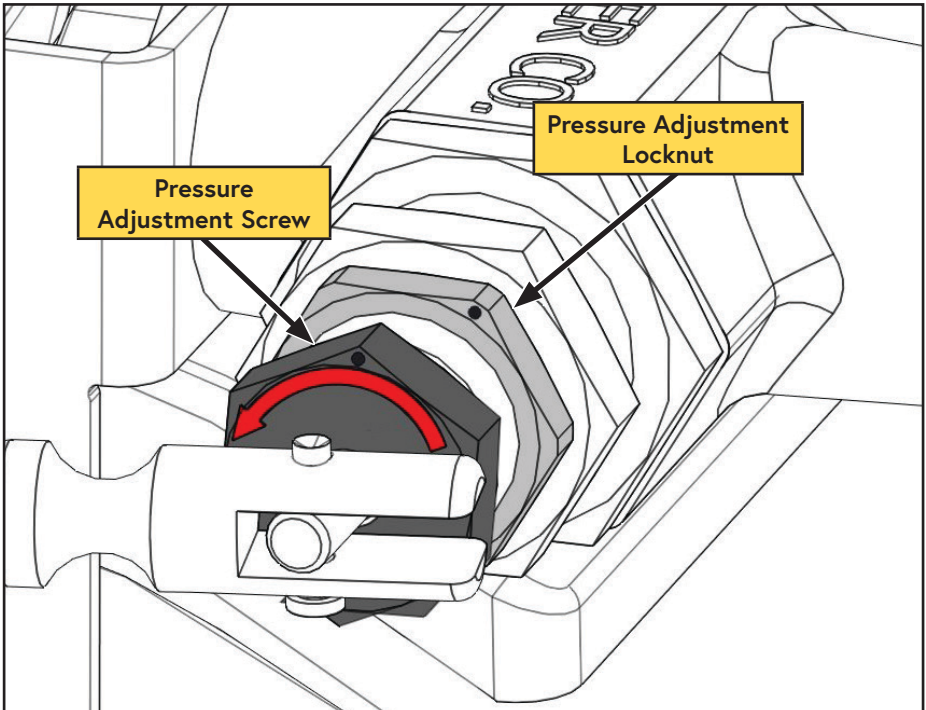


Figure 51 — Adjusting the Unloader Valve



Each 1/8 rotation of the "Pressure Adjustment Screw" is equivalent to approximately 5 psi.

- Rotate the "Pressure Adjustment Screw" in 1/8 turn increments (counterclockwise to reduce pressure, clockwise to increase pressure).
- While securely holding the "Pressure Adjustment Screw", tighten the "Pressure Adjustment Locknut".
- Test the system and repeat the steps above (if necessary) until the system unloads at 135 psi.

Compressor Regulation and Throttle Actuator Testing

Throttle Control

VMAC configures the Honda engine throttle to be wide open in its neutral state (0 psi). Engine rpm is controlled via the throttle actuator which is operated by air pressure from the unloader valve.

Once air pressure at the ball valve and unloader valve ("downstream pressure") reaches 135 psi, the throttle actuator closes the throttle, reducing engine speed to idle. "Downstream pressure" opens the discharge valve diaphragm, via the 1/4 in PTFE tube, and allows air pressure to close the inlet valve poppet:

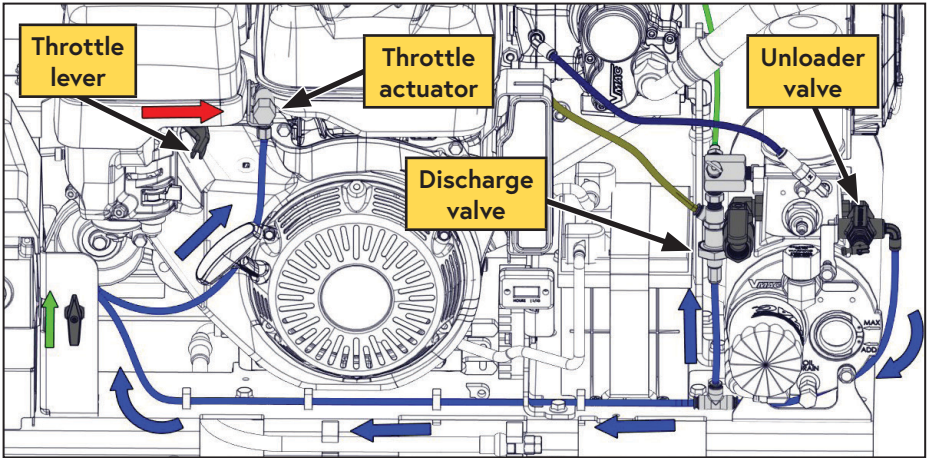


Figure 52 — Throttle operation ("COMPRESSOR ON")

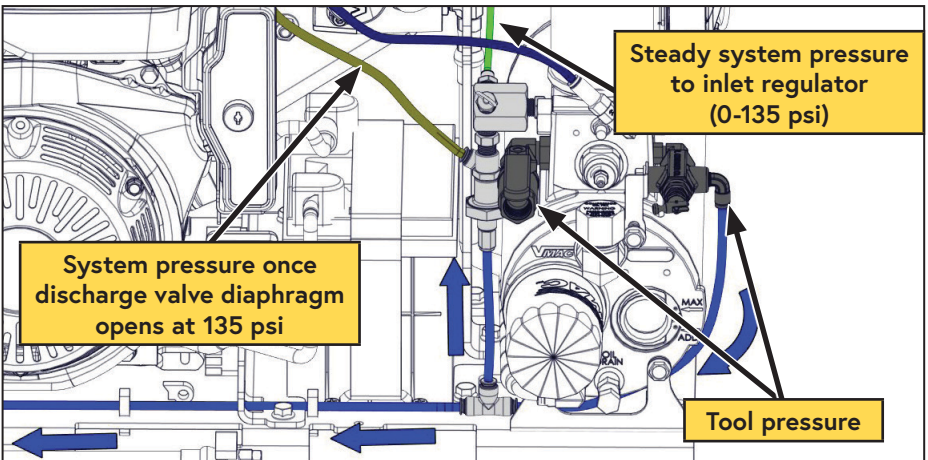


Figure 53 — Throttle operation ("COMPRESSOR ON")

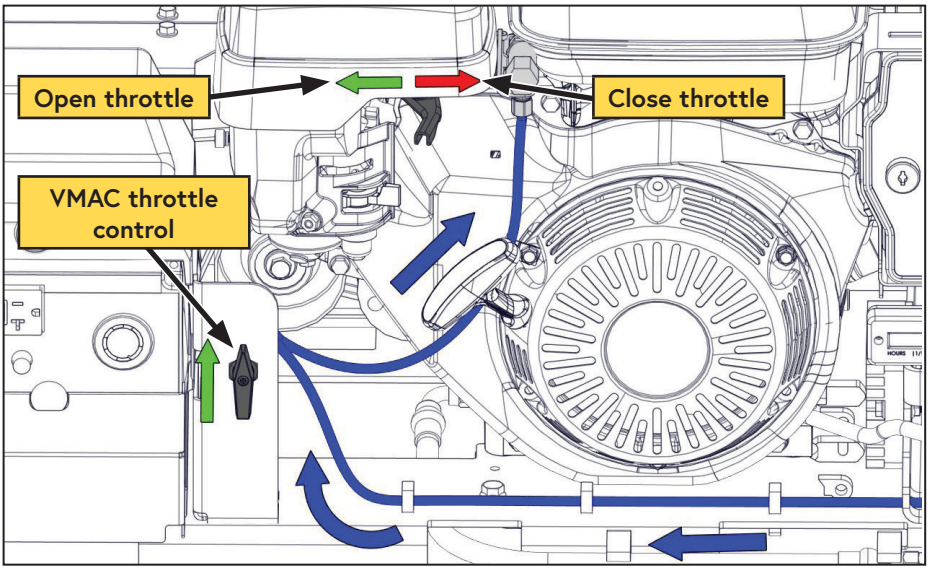


Figure 54 — Throttle actuator ("COMPRESSOR ON")

Throttle Control (GENERATOR ON)

When the VMAC throttle control is set to "GENERATOR ON", the air pressure from the discharge valve is blocked and the throttle is vented to atmosphere via a sintered muffler, allowing the Honda throttle to remain wide open (neutral state) (Figure 55).

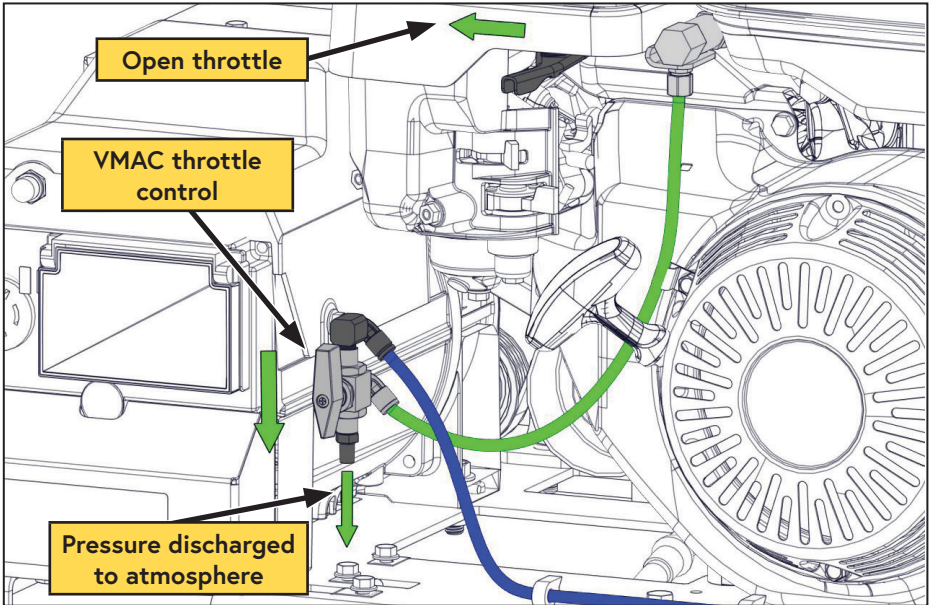


Figure 55 — Throttle actuator ("GENERATOR ON")

Throttle Tube

A 1/4 in PTFE tube (shown in "blue") connects the discharge valve and unloader valve to the throttle actuator via a 1/4 in PTFE union (Figure 56).

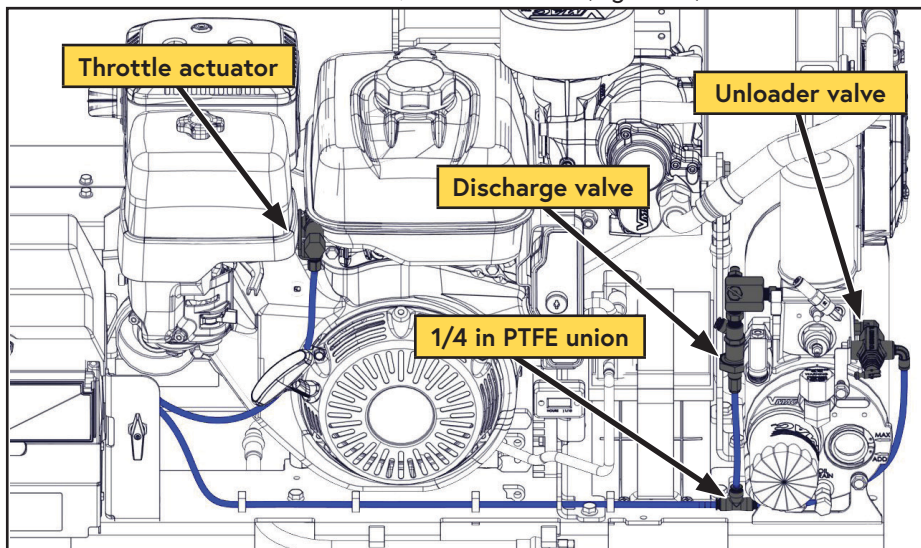


Figure 56 — Throttle actuator tube

Scavenge Tube

A 1/4 in PTFE tube (shown in blue) connects the WHASP Tank to the compressor inlet valve. Vacuum from the compressor pulls the separated oil from the coalescing filter, recirculating the oil in the system (Figure 57).

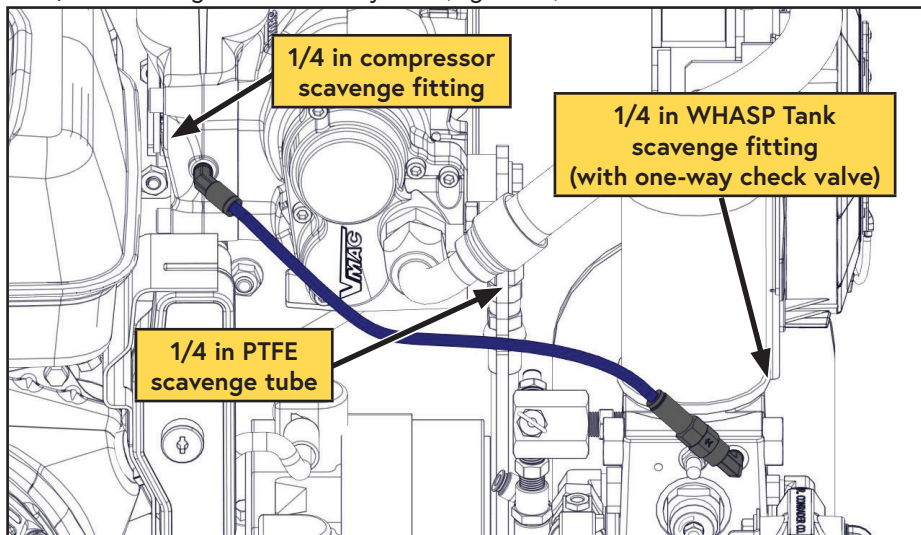


Figure 57 — Scavenge tube

Pressure Control Tubes

A 1/4 in PTFE tube (shown in green) connects the discharge valve to the lower fitting on the compressor inlet valve. This provides the system air pressure (factory setting 135 psi) to operate the inlet poppet valve (Figure 58).

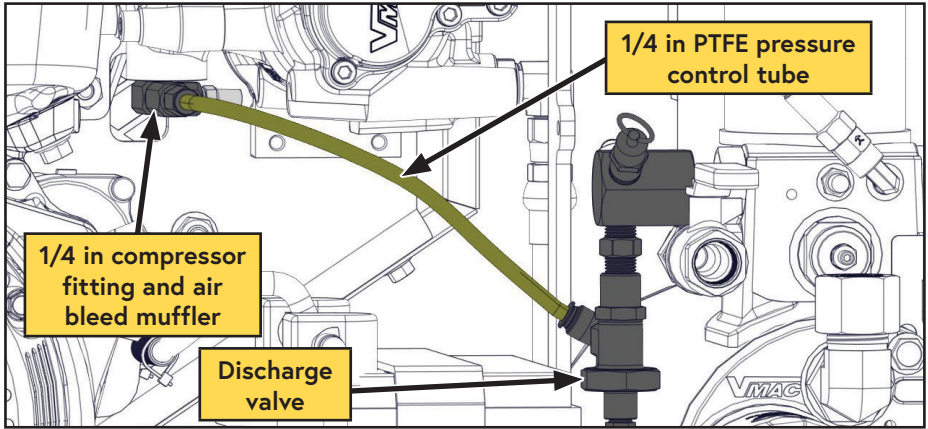


Figure 58 — 1/4 in Pressure control tube
(Key switch module removed for clarity)

A 3/16 in PTFE tube (shown in green) connects the discharge valve to the topmost fitting on the side of the compressor inlet valve. This provides the system air pressure (factory setting 135 psi) to operate the inlet valve regulator which works in tandem with the discharge valve (Figure 59).

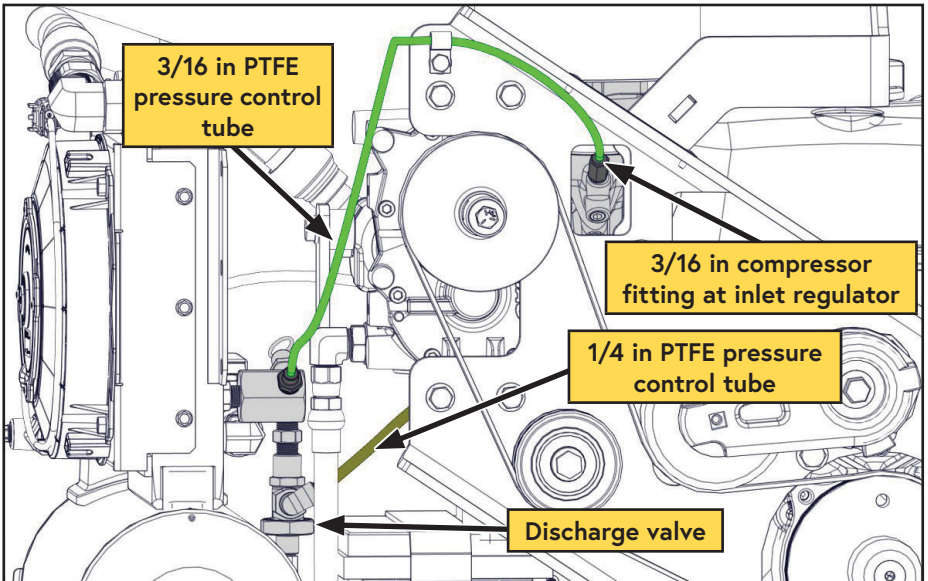


Figure 59 — 3/16 in Pressure control tube
(Belt guard removed for clarity)

Throttle Control Testing



Read the "Maintenance and Repair Safety" section prior to performing any work on the system (beginning on page 51). Wear appropriate Personal Protective Equipment and follow all industry standard safety practices.

The air pressure (inlet valve) and engine rpm (throttle actuator) are controlled by the unloader valve. As air pressure from the unloader valve increases, it forces the throttle actuator to reduce engine rpm. Once the system has built to full system pressure (135 psi) the force from the unloader valve will move the throttle to base idle.

While the system is building air pressure, the PTFE test tool gauge will indicate 0 psi and the throttle will be wide open. Once downstream pressure reaches 135 psi it will actuate the unloader valve which opens the discharge valve. The PTFE test tool gauge will indicate 135 psi and air pressure from the discharge valve will force the throttle closed. When downstream pressure drops below 110 psi the discharge valve will close (the PTFE test tool gauge will indicate 0 psi) and allow the throttle to return to its neutral state of wide open.



The following testing is for systems set at factory pressure (135 psi).

With the system off and depressurized

- Remove the WHASP Tank shroud.
- Remove the ball valve fitting (if applicable) to accommodate the test tool.
- Install a test tool on the system outlet (Figure 60).

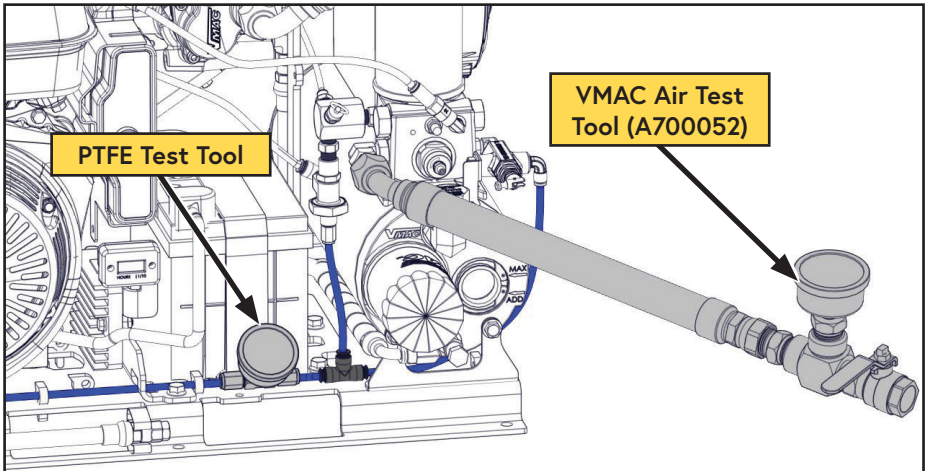


Figure 60 — Test equipment installed

(Scavenge tube not shown)

- Install the PTFE test tool (Figure 47 on page 73) on the 1/4 in throttle tube on the engine side of the 1/4 in PTFE Union (Figure 60).

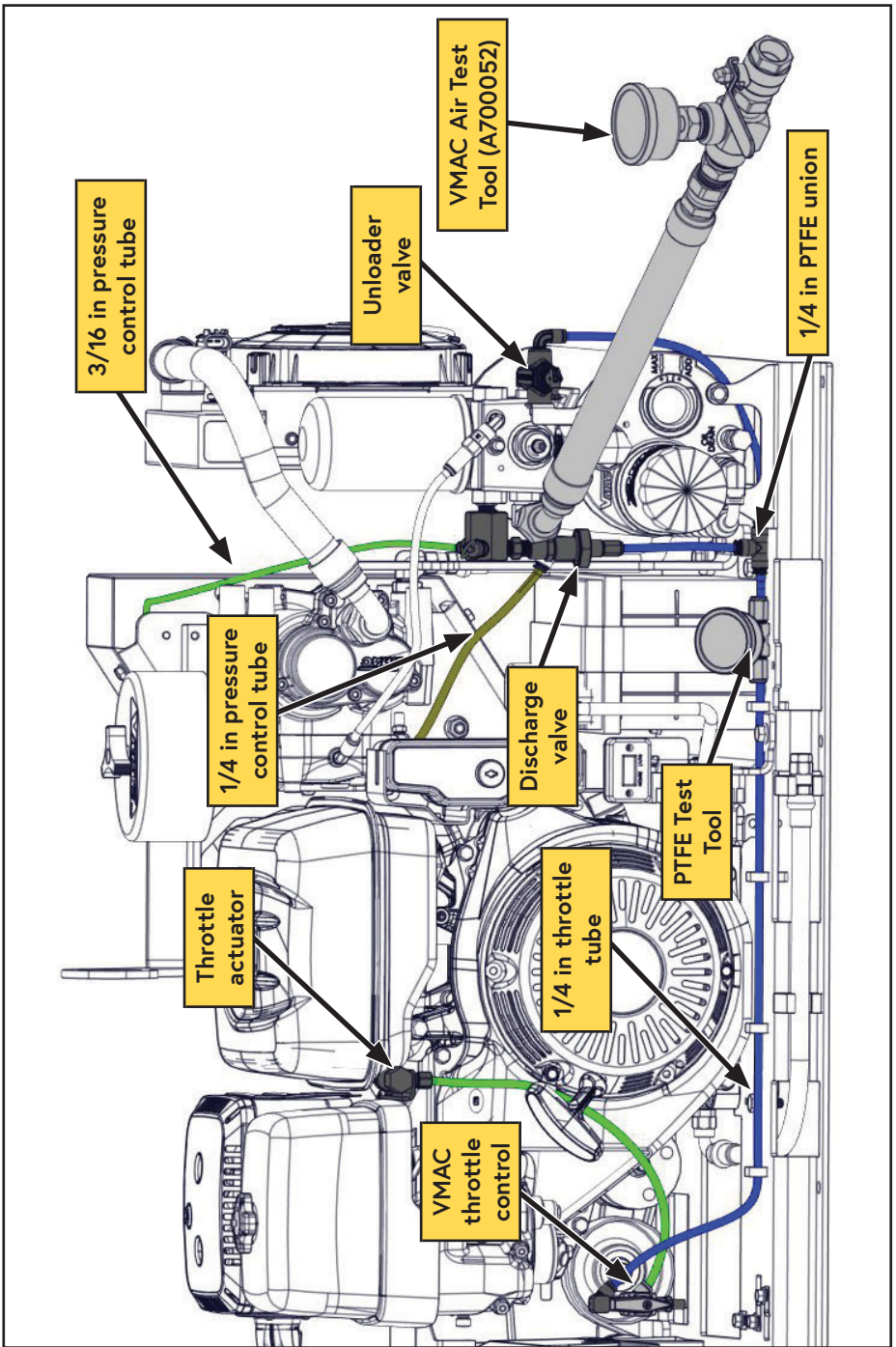


Figure 61 — Test equipment installed

Compressor Connections

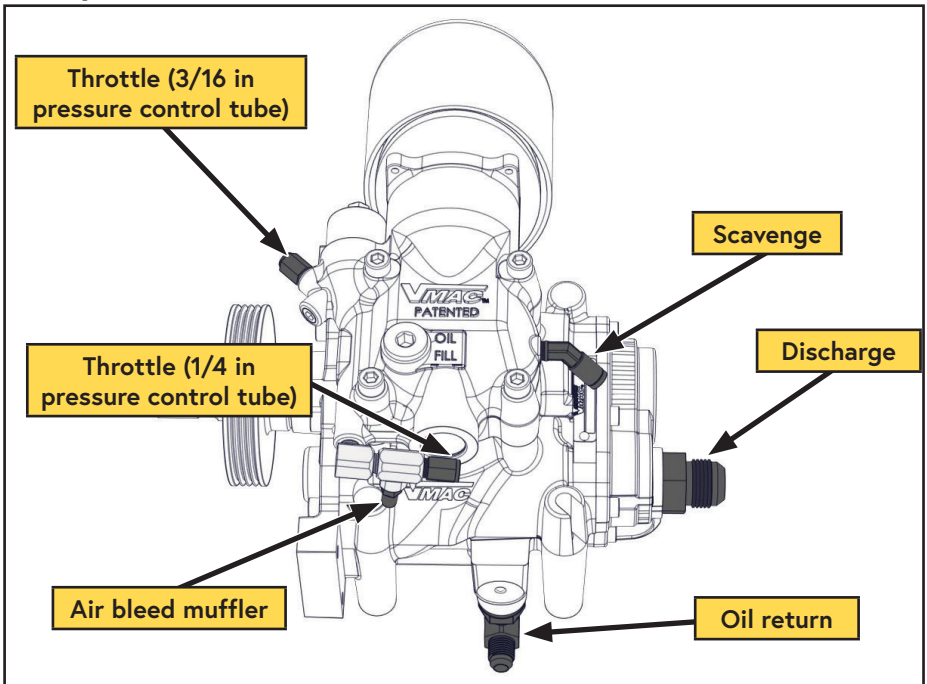


Figure 62 — Compressor connections

Start the engine (see page 34), and monitor both pressure gauges:

- 1) As the pressure indicated on the VMAC test tool gauge reaches 135 psi, the gauge connected to the 1/4 in PTFE tube should indicate 135 psi. If the pressure on the gauge connected to the 1/4 in PTFE tube does not increase, confirm the unloader valve is properly adjusted. If adjusting the unloader valve (starting on page 74) does not resolve the issues, the discharge valve needs to be replaced.
- 2) As the pressure indicated on the PTFE Test Tool gauge connected to the 1/4 in PTFE tube reaches 135 psi, the throttle actuator rod should move the throttle to the right and the engine rpm should decrease. If the throttle does not move, diagnose or replace the throttle actuator.
- 3) When the system pressure indicated on the VMAC test tool reaches 135 psi, the pressure indicated on the gauge connected to the 1/4 in PTFE should hold steady at 135 psi. If the pressure does not hold, check for air leaks or a defective throttle actuator.
- 4) Slowly open the test tool ball valve. The pressure on both gauges should drop at approximately the same rate until pressure at the discharge valve reaches 110 psi. Once the discharge valve pressure drops to 110 psi, the discharge valve will close and the PTFE test tool gauge will indicate 0 psi. If the pressures do not drop at the same rate, the discharge valve may be plugged.

- 5) Close the ball valve on the VMAC test tool.
- 6) Turn the VMAC throttle control to "GENERATOR ON".
- 7) Air pressure on the from the 1/4 in throttle tube will vent to atmosphere via the sintered muffle mounted to the bottom of the VMAC throttle control.
- 8) Engine speed should increase to maximum rpm and remain there as long as the VMAC throttle control is set to "GENERATOR ON".

Poppet Valve



If the inlet or poppet O-ring is damaged or missing, the compressor may over pressurize and may cause a compressor oil leak.

Air pressure generated by the compressor is controlled mechanically via the inlet valve poppet.

When the inlet valve poppet is open, the compressor will build air pressure (Figure 63).

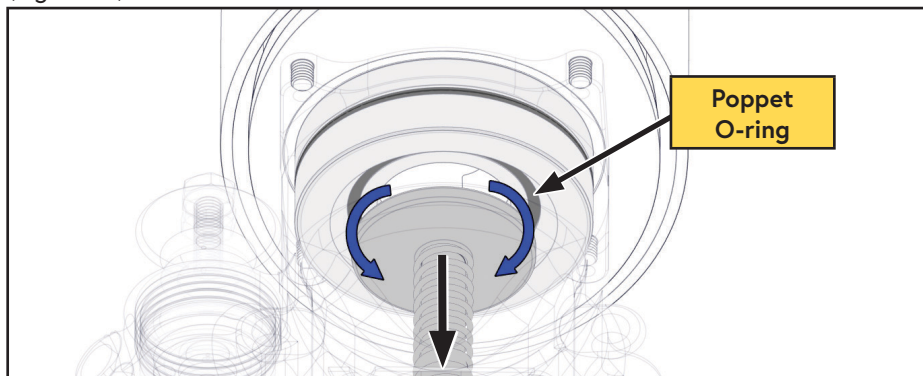


Figure 63 — Inlet valve poppet open

When the inlet valve poppet is closed, the compressor will not build air pressure (Figure 64).

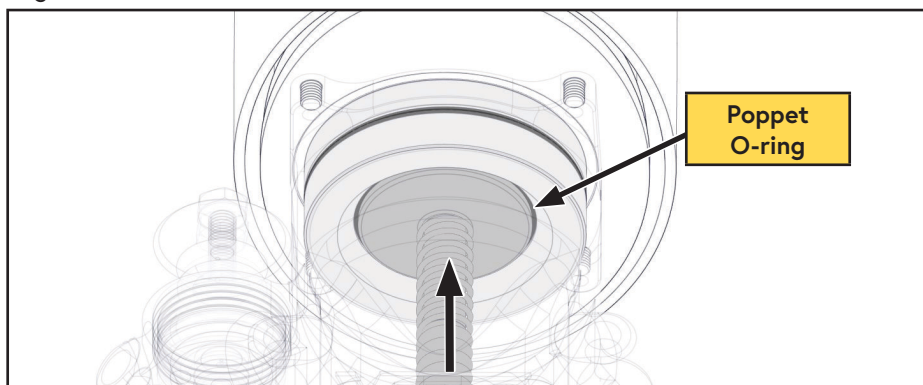


Figure 64 — Inlet valve poppet closed

Electrical Components and Testing



For generator specific testing information, search the VMAC Knowledge Base, or contact VMAC technical support.

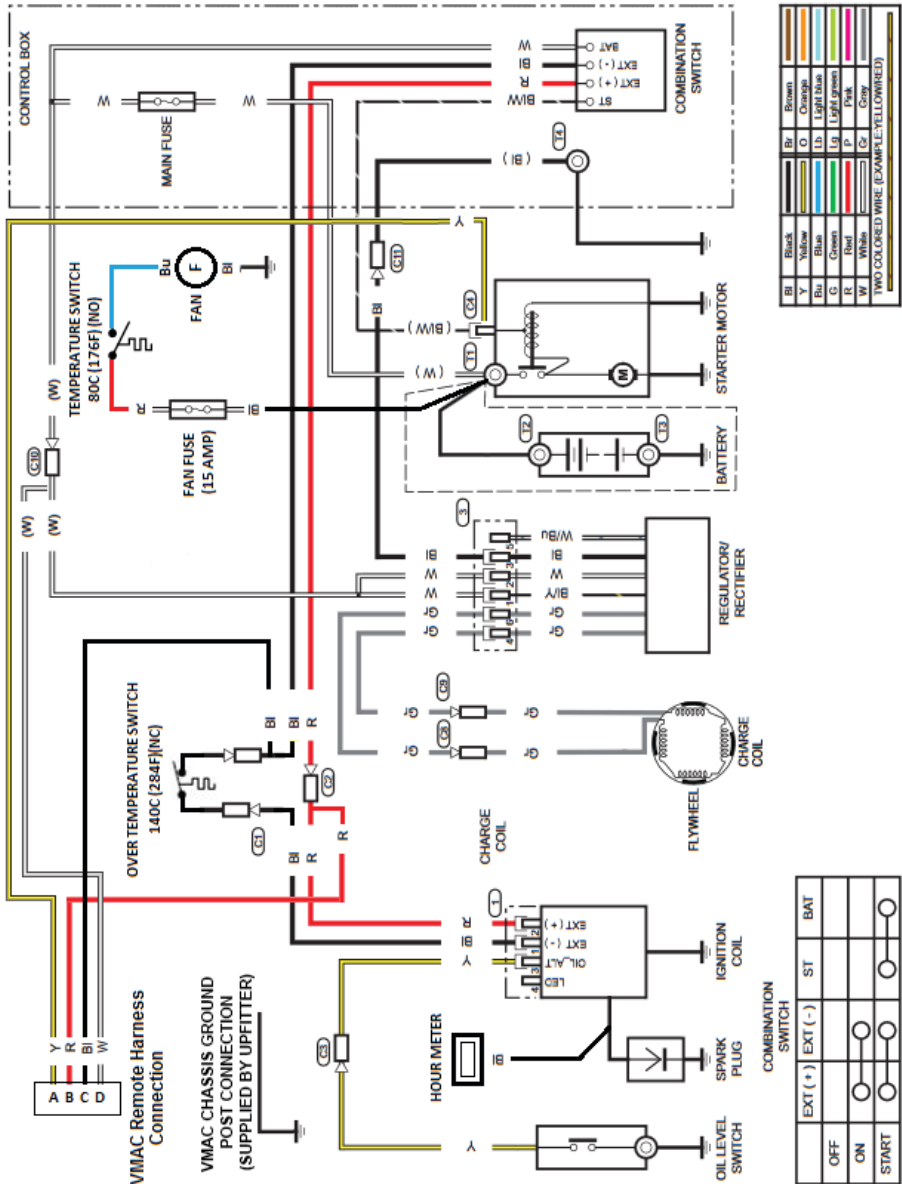


Figure 65 — VMAC electrical harness schematic

Electrical components

- Fan and compressor temperature switches.
- Fan switch.
- Electric fan.
- Key switch.
- Hour meter.
- Starter.

Fuses



A 15 A fuse protects the OEM electrical system and a separate 15 A fuse protects the WHASP cooling fan. If the fuse blows repeatedly, there is an electrical problem that must be resolved.

Installation of a higher amperage fuse may damage components and will void the warranty.

A 15 A fuse protects the G30's fan electrical system. The fuse holder is located in the wiring harness next to the battery.

A 15 A fuse protects the OEM electrical system. This fuse is located inside the OEM ignition key enclosure.

WHASP Cooling Fan (Figure 66)

The cooling fan on the WHASP Tank will run any time the WHASP fan temperature switch detects temperatures above 80 °C (176 °F).

Testing

Use a "jumper" to supply 12 V to pin "A" of the fan plug and a ground to pin "B" of the plug to confirm the fan runs when power is supplied.

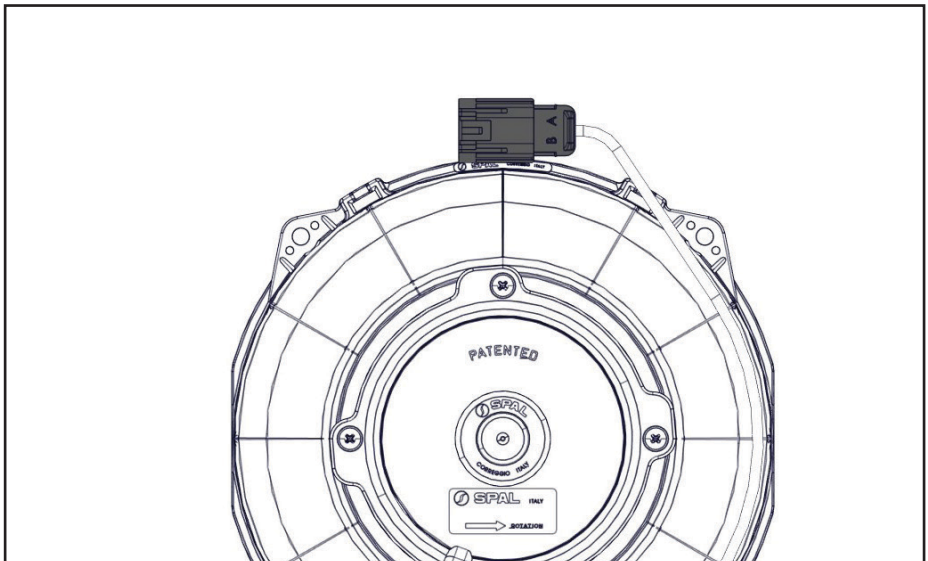


Figure 66 — WHASP Tank cooling fan

Fan Temperature Switch

The G30's cooling fan temperature switch is normally open and closes at 80 °C (176 °F) turning on the fan. The temperature switch is located in the top of the WHASP Tank cooler (Figure 67).

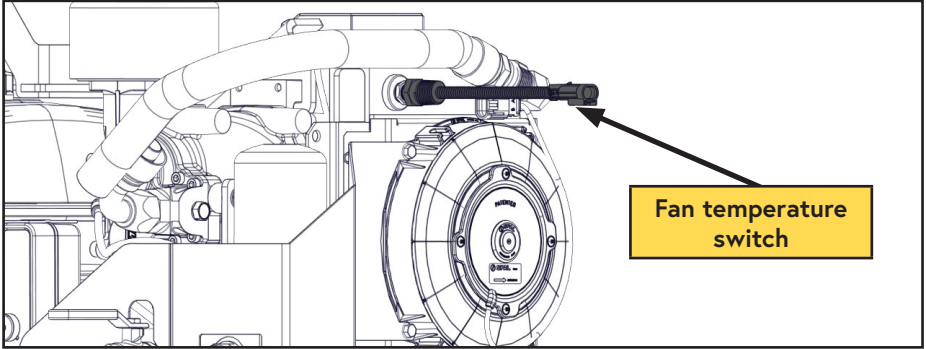


Figure 67 — Fan temperature switch location

Testing

- Connect a multimeter to the harness and direct a heat gun onto the temperature switch for a few minutes. Once the switch reaches 80 °C (176 °F), resistance on the switch should drop to 0 Ω.

Compressor Temperature Switch

If the compressor's oil temperature exceeds 140 °C (284 °F), the thermostatic switch located in the compressor discharge cap will disable the engine ignition system. The cooling fan will continue to run until the temperature at the switch drops below 139 °C (282 °F) (Figure 68).

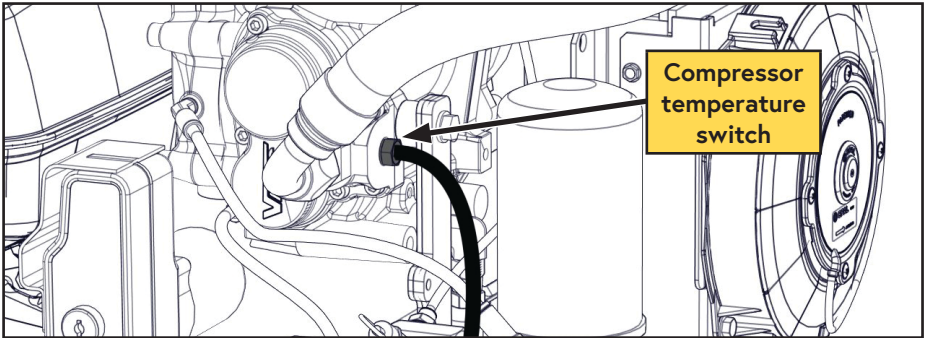


Figure 68 — Compressor temperature switch location



The engine will not run until the compressor system has cooled enough that the temperature switch closes.

Testing

- Use a multimeter to measure the resistance through the switch. The resistance should be 0 Ω when the system is cold.

Component Repair / Replacement



The information in this chapter is intended for people with mechanical trade certification who have the tools and equipment to properly and safely perform the service. Do not attempt this installation without the appropriate mechanical training, knowledge and experience.

Follow all safety precautions and industry standard "best practices".



Read the "Maintenance and Repair Safety" section prior to performing any work on the system (beginning on page 51).

Wear appropriate Personal Protective Equipment and follow all industry standard safety practices.



Use Loctite 242 (blue) on all fasteners unless otherwise directed.

Battery Replacement

Remove the shroud and disconnect the negative battery cable. Undo the battery hold down strap (Figure 69).

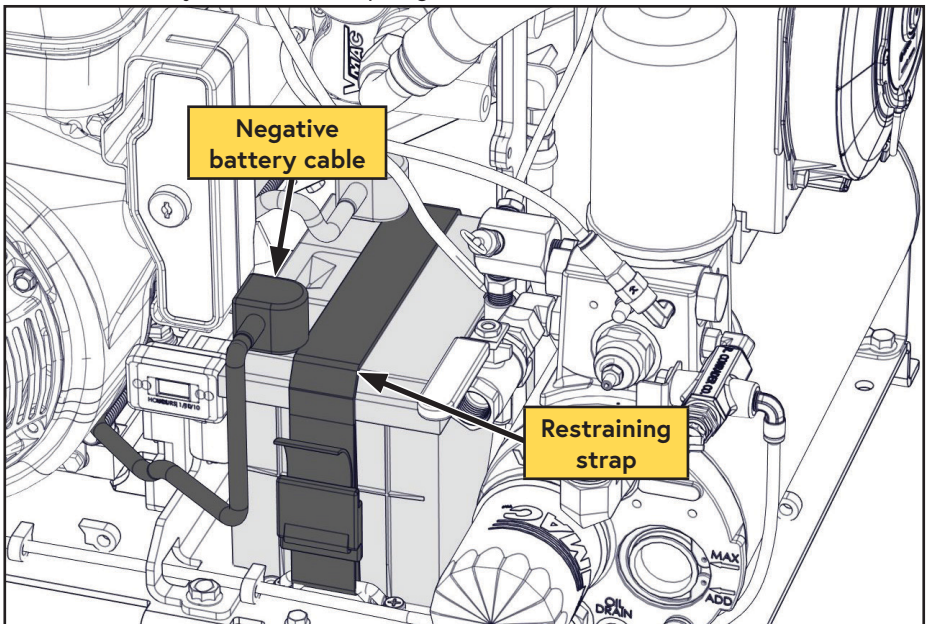


Figure 69 — Battery hold down

- Pull the battery out of the front of the unit, once it is clear, disconnect the positive battery terminal (Figure 70).

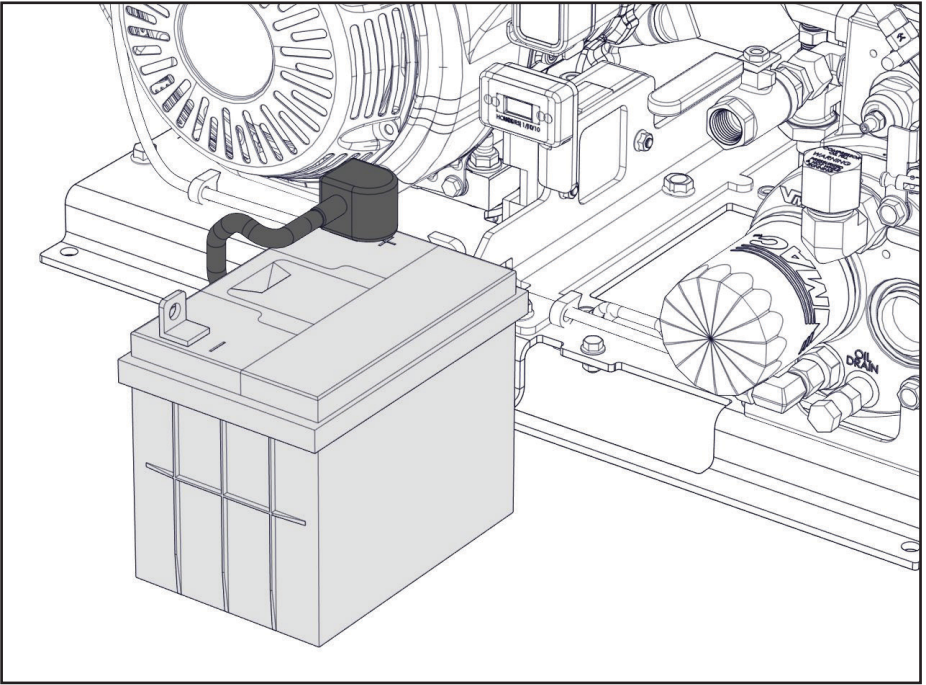


Figure 70 — Battery removal

- Install the battery in the reverse order.

Compressor Replacement



Read the "Maintenance and Repair Safety" section prior to performing any work on the system (beginning on page 51). Wear appropriate Personal Protective Equipment and follow all industry standard safety practices.

- Remove the (x5) fasteners from the belt guard and remove the belt guard (Figure 71).

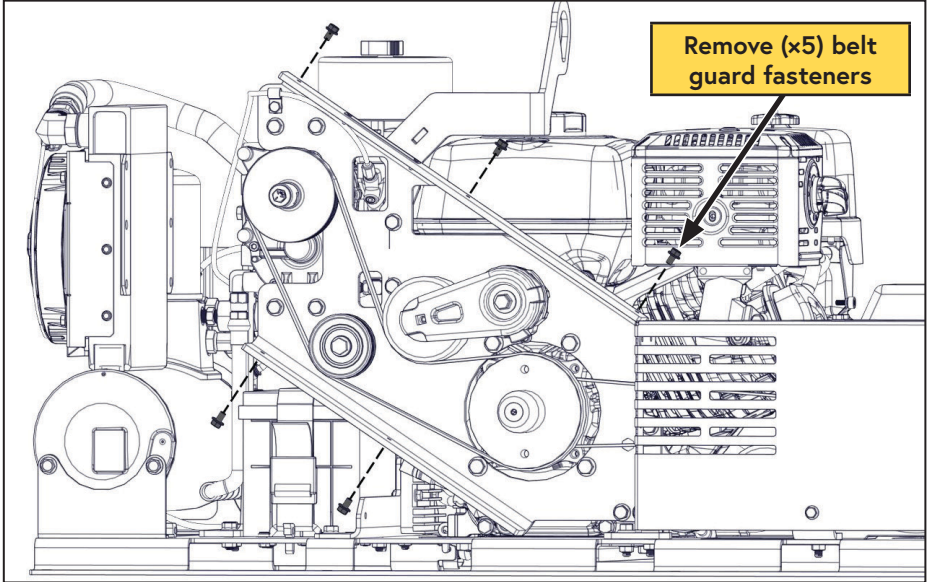


Figure 71 — Remove the belt guard

- Using a 3/8 in drive, remove tension from the drive belt.
- Remove the belt and set it aside for later.
- Disconnect the 3/4 in hose from the rear of the compressor.
- Disconnect the 1/2 in hose from the side of the compressor.
- Disconnect the 3 PTFE tubes from the compressor.



After disconnecting the hoses and PTFE tubes, plug the ends to prevent contaminants from entering the system.

- Remove the bolt from the side of the compressor (Figure 72).

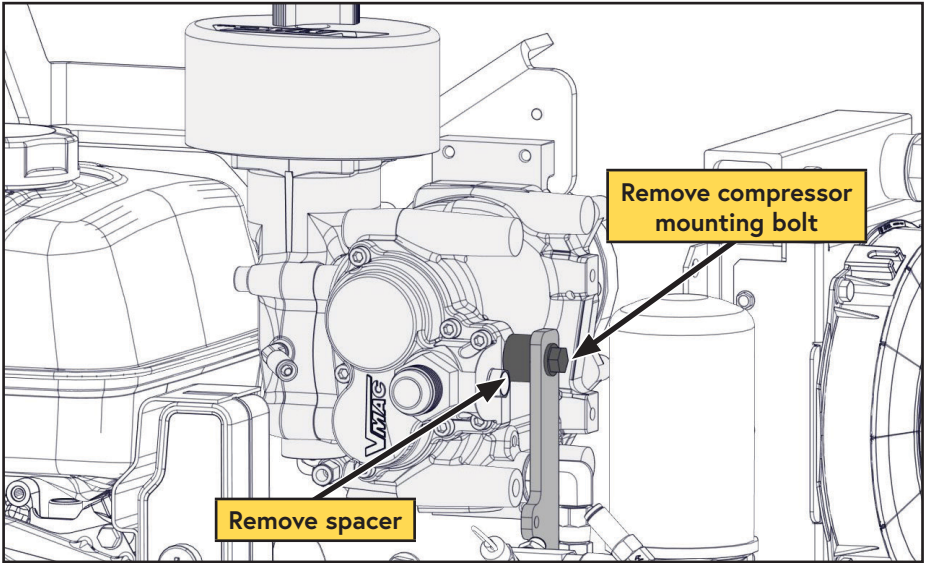


Figure 72 — Remove compressor

- Lift the compressor up and away from the belt guard to remove it (Figure 73).

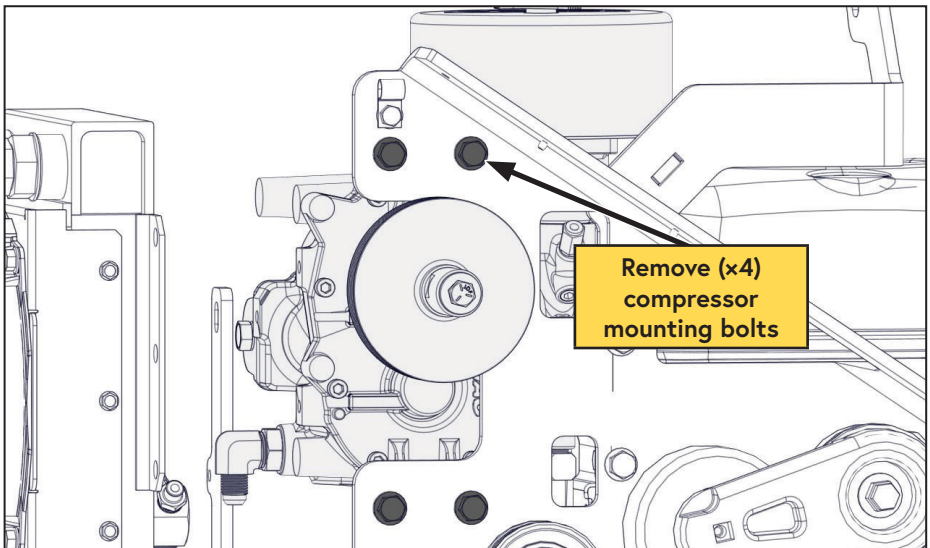


Figure 73 — Remove compressor



Do not remove the compressor pulley when reinstalling the compressor.

- Install the compressor in the reverse order.

- Lift the compressor up and away from the belt guard to remove it (Figure 74).

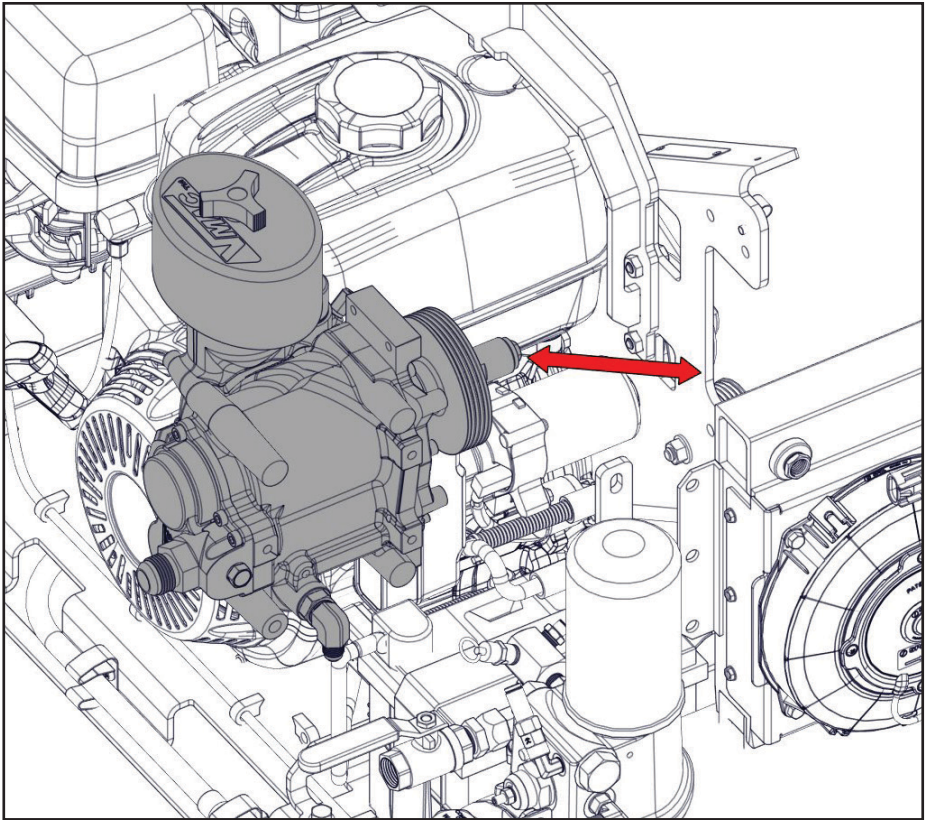


Figure 74 — Remove compressor

- Install the compressor in the reverse order.



Do not remove the compressor pulley when installing the compressor.

Inlet Valve Replacement



The compressor inlet valve uses two different length bolts. The longer bolts are 55 mm long and the shorter ones are 50 mm long. Ensure the bolts are installed in the correct position. Installing the inlet bolts in the wrong location could severely damage the compressor (Figure 75).



Loctite is not required on the inlet valve bolts.

- Follow the instructions to remove the compressor (starting on page 91).
- Place the compressor on a bench.
- Remove the (x4) socket head bolts securing the inlet valve to the compressor.
- Ensure the O-ring is not defective or damaged.
- Install the inlet valve in the reverse order.

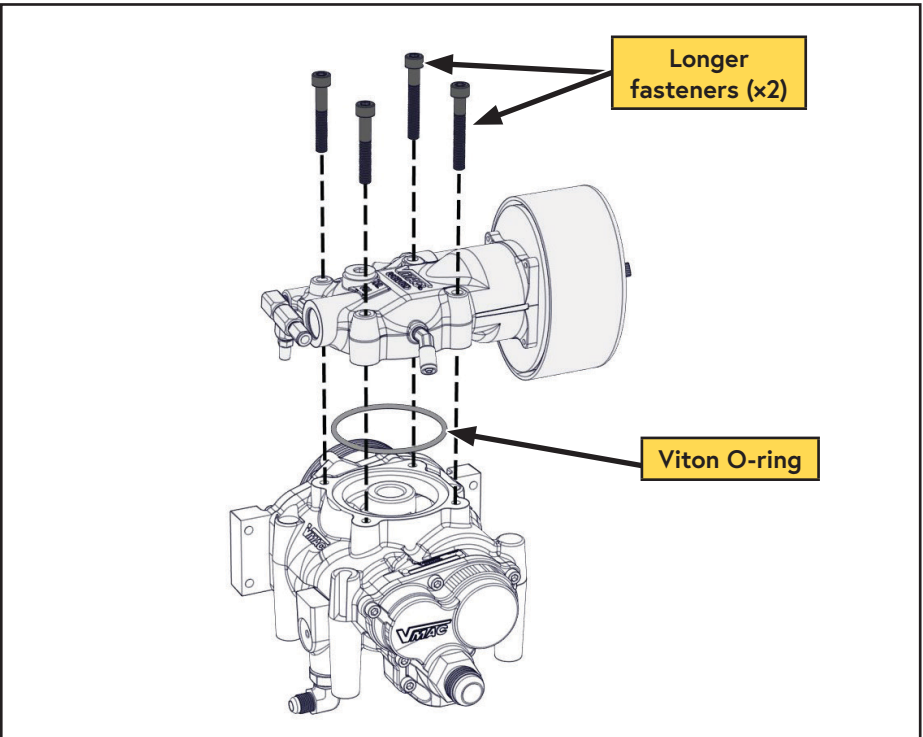


Figure 75 — Inlet valve fasteners

WHASP Cooling Fan Replacement

- Disconnect the electrical connector on the fan.
- Remove the (x4) bolts securing the fan to the WHASP Tank.
- Apply *Loctite 425 (low strength adhesive)* to the fan bolts.
- Install the new fan.
- Reconnect the fan electrical connector.
- Test the system.

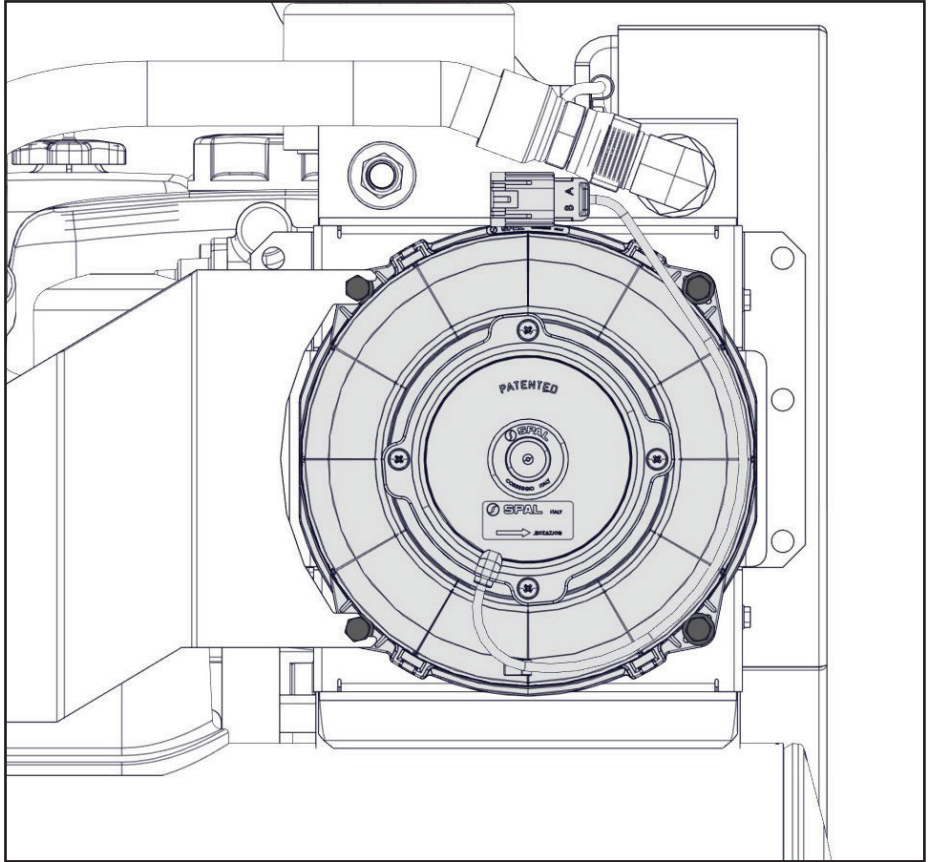


Figure 76 — Remove WHASP Fan

Fan Temperature Switch Replacement

- Disconnect the fan temperature switch from the harness.
- Remove the fan temperature switch from the cooler on the WHASP Tank.
- Apply Loctite 567 (thread sealant) to the new fan temperature switch and install it into the WHASP Tank cooler.
- Connect the fan temperature switch to the harness.

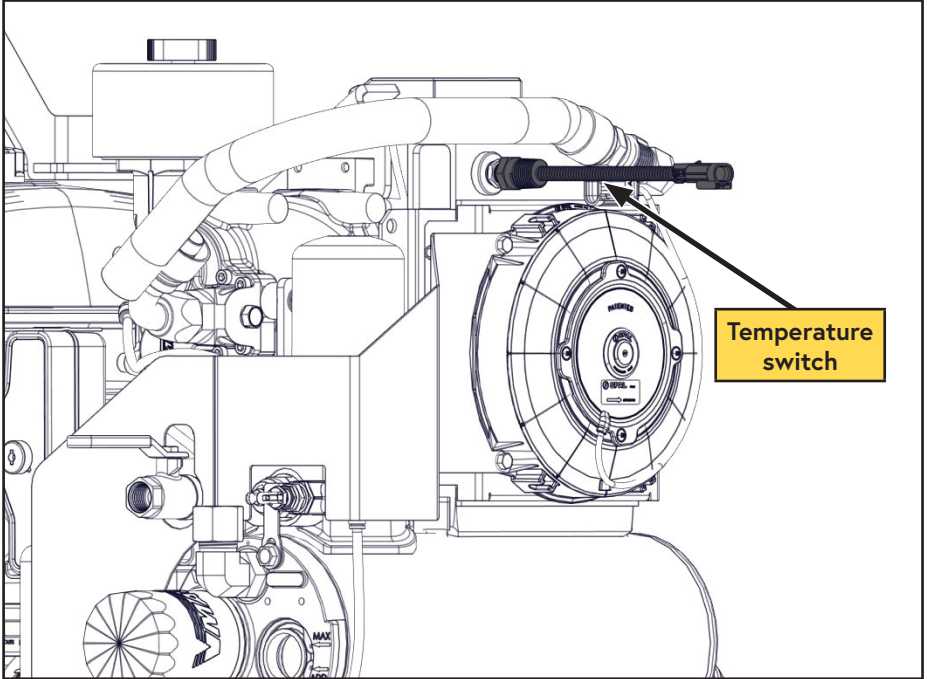


Figure 77 — Fan temperature switch removal

Compressor Temperature Switch Replacement

- Remove the WHASP Tank shroud.
- Disconnect the compressor temperature switch from the harness.
- Remove the compressor temperature switch from the compressor discharge cap.
- Apply Loctite 567 (thread sealant) to the new temperature switch and install it into the WHASP Tank cooler.
- Connect the compressor temperature switch to the harness.
- Reinstall the WHASP Tank shroud.

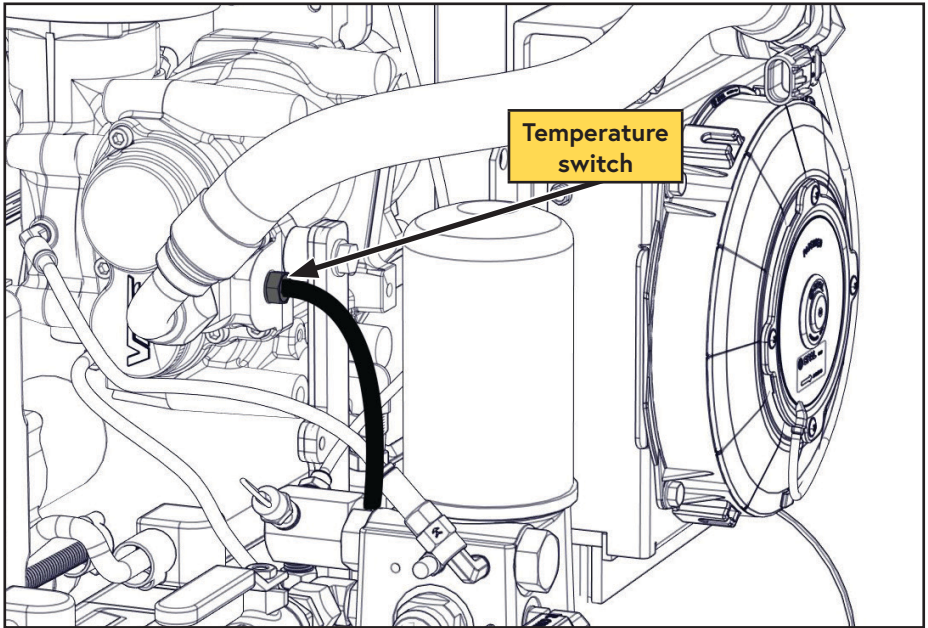


Figure 78 — Compressor temperature switch removal

WHASP Tank Replacement

- Remove the WHASP Tank shroud.
- Remove the battery (page 89).
- Drain the compressor oil from the WHASP Tank (page 52).
- Disconnect the 3/4 in and 1/2 in hoses from the WHASP Tank.
- Disconnect the PTFE tubes from the WHASP Tank.
- Disconnect the electrical connectors from the fan and compressor temperature switches.
- Remove the (x4) fasteners from the bottom of the WHASP Tank mounting brackets.
- Remove the WHASP Tank.

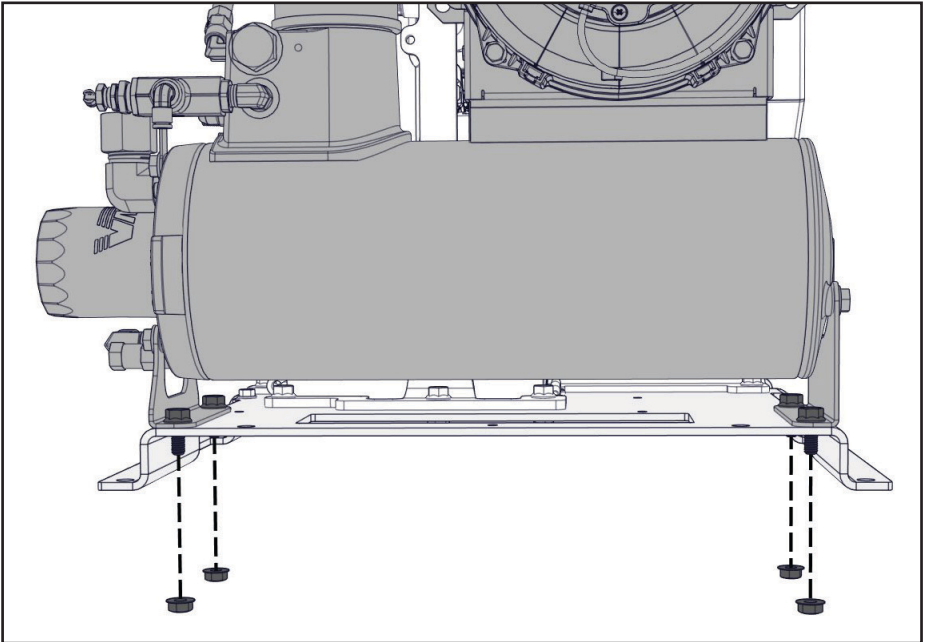


Figure 79 — Remove WHASP Tank

- Install the WHASP Tank in the reverse order.

Generator Replacement

- Remove the upper fastener from the throttle switch mounting bracket (Figure 80).

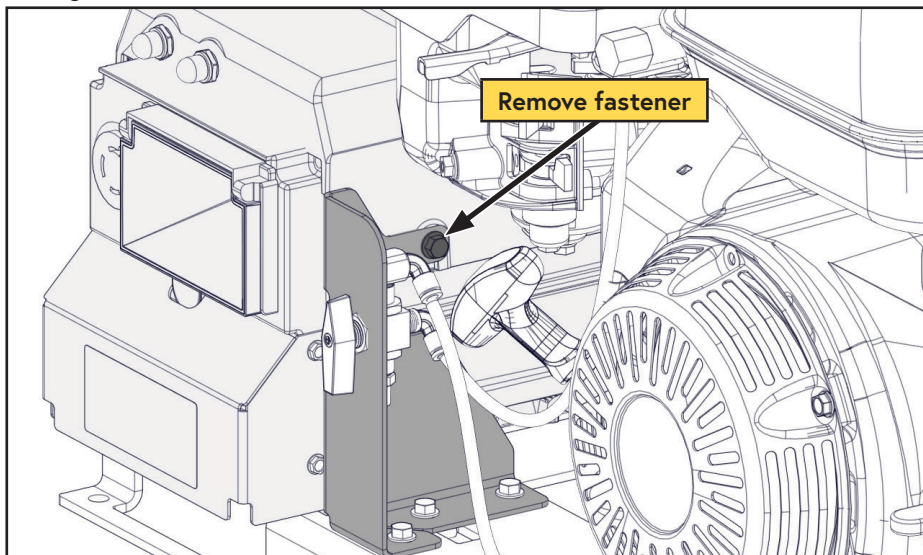


Figure 80 — Remove throttle switch mount bracket fastener

- Remove the belt guard and generator rear cover (Figure 81).

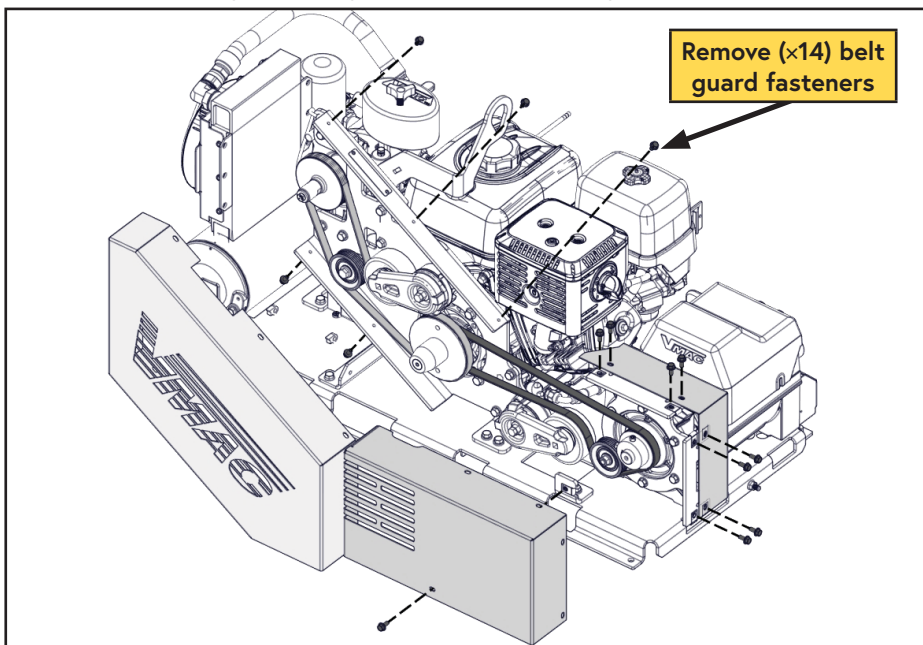


Figure 81 — Remove belt guards

- Remove the drive belts.
- Remove both of the louvered side covers (Figure 82).

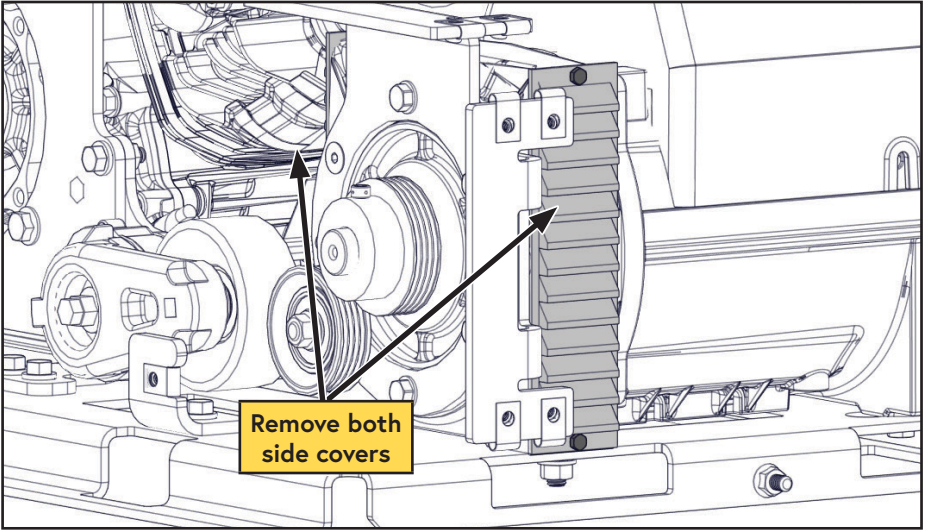


Figure 82 — Remove side covers

- Taking note of the location for the star grounding washer, remove the rear generator fasteners (Figure 83).

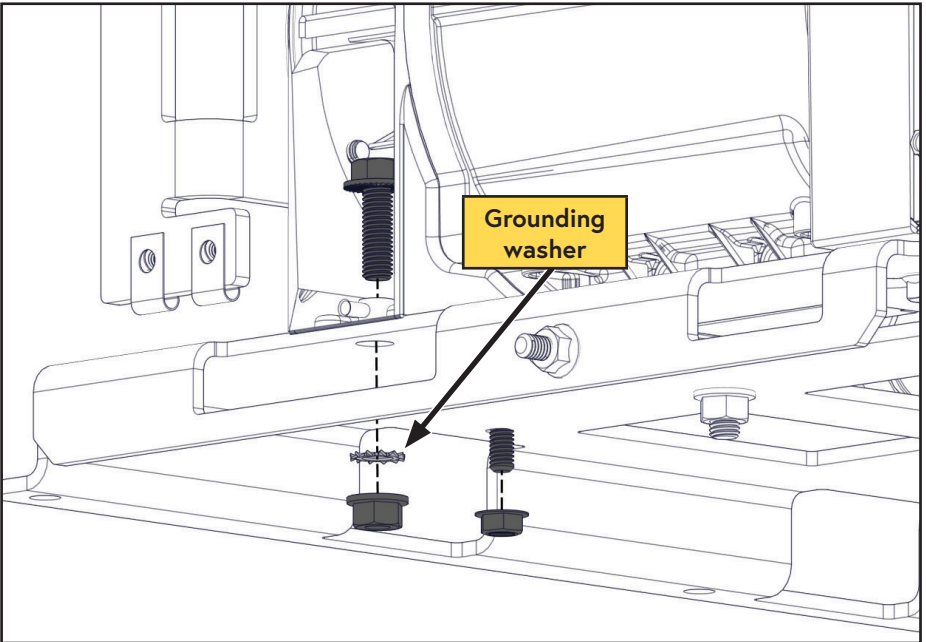


Figure 83 — Remove rear generator fasteners

- Loosen the front generator fasteners and slide the generator to the rear until the fasteners clear the keyway (Figure 84).

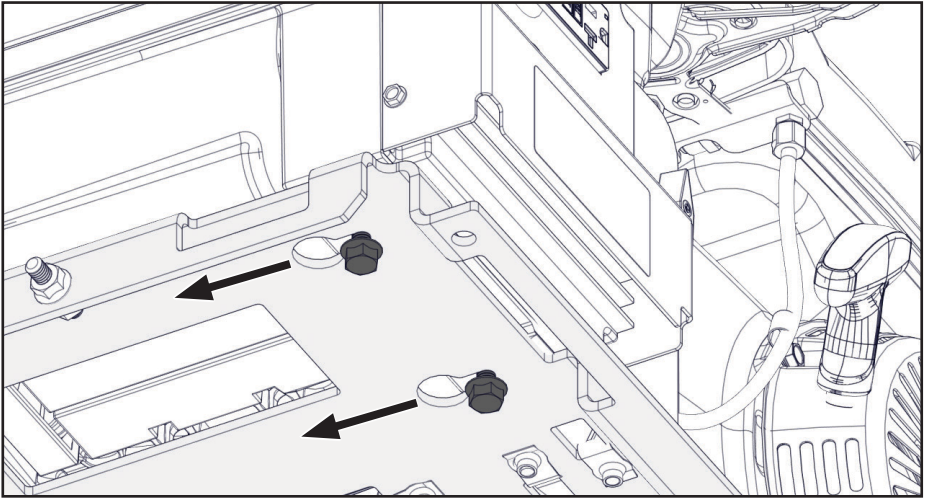


Figure 84 — Loosen front generator fasteners

Reinstallation



Ensure the front generator fasteners are partially threaded into the generator prior to reinstallation.

- Install the generator in the reverse order.
- Compressor and generator belt routing (Figure 85).

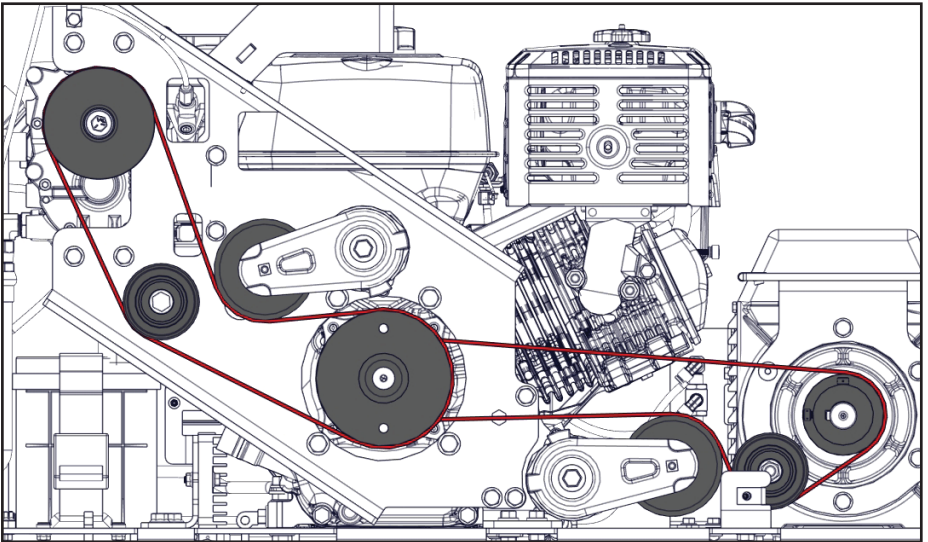


Figure 85 — Belt routing

Accessory Products from VMAC

Compressor Service Kits



**200 Hour or 6 Month Service Kit -
Part number: A700219**

Includes 4 L VMAC high performance compressor oil, oil filter, air filter, and next service due decal.

**400 Hour or 1-Year Service Kit -
Part number: A700220**

Includes 4 L VMAC high performance compressor oil, oil filter, air filter, spin-on oil separator, safety valve, muffler, and next service due decal.

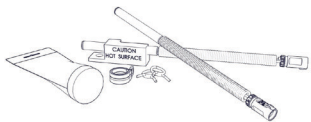
Honda Engine Service Kit



Part number: A500045

300 hour Honda engine tune-up kit includes 2 L 10W30 oil, dual element air filter and spark plug. Using OEM service products will extend the life of the system.

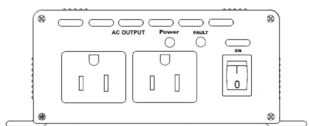
Cold Climate Kit



Part number: A500044; A520004 (factory installed)

Cold climate heater package for operating the Gas Engine Driven 30 CFM Air Compressor in cold climates; proven at temperatures of -30 °C (-22 °F); (x2) 120 V AC Heaters; requires 600 W total power.

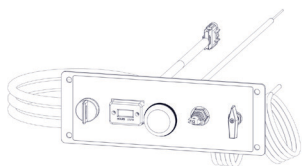
800 W Power Inverter



Part number: A500181

800 W, 12 V power inverter; required to power the Gas Engine Driven 30 CFM Air Compressor Cold Climate Kit.

Remote Control Panel

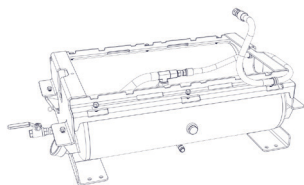


Part number: A500244

Remote control panel with a 10 ft (304.8 cm) extension for key switch, hour meter, choke, throttle control valve, and unloader valve.

Dual 6 Gallon Low Profile Air Receiver Tanks

Part number: A500245; (A520007 factory installed)



Dual 6 gallon air receiver tanks with mounting frame; includes 200 psi pressure gauge, hose, ball valve and drain valves.

- Max pressure: up to 150 psi.
- Dimensions: 34.5 in (87.63 cm) L × 21.25 in (53.98 cm) W × 11.25 in (28.58 cm) H.
- Weight: 176.25 lb (75.95 kg).

10 Gallon Air Receiver Tank w/ Mounting Feet

Part number: A300047

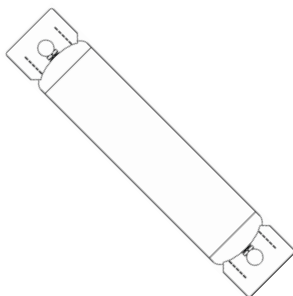


Air receiver tanks are used for lowering compressor duty cycle and removing water from compressed air. Recommended for optimum operation of VMAC Hydraulic Air Compressors, VMAC Diesel Driven Air Compressors, UNDERHOOD40, UNDERHOOD70 – Green Series Air Compressors, and VMAC Multifunction Power Systems, which include standby mode; ASME certified; includes fittings, 200 psi pressure relief valve, tank drain, and 200 psi pressure gauge.

- Max pressure: up to 200 psi.
- Dimensions: 30 in (76.2 cm) L × 10 in (25.4 cm) D.
- Weight: 33 lb (15 kg).

35 Gallon Air Receiver Wing Tank

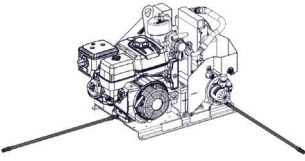
Part number: A300010



Air receiver tanks are used for lowering compressor duty cycle and removing water from compressed air. Recommended for optimum operation of VMAC Diesel Air Compressors, Hydraulic Air Compressors, UNDERHOOD40, UNDERHOOD70 – Green Series Air Compressors, and VMAC Multifunction Power Systems, which include standby mode; ASME certified; includes fittings, 200 psi pressure relief valve, tank drain, and 200 psi pressure gauge.

- Max pressure: up to 200 psi.
- Dimensions: 73 3/4 in (187.3 cm) L × 14 in (35.6 cm) D.
- Weight: 95 lb (43.1 kg).

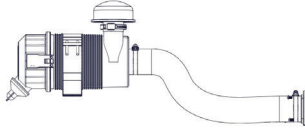
Remote Oil Drain



Part number: A500043

(x2) 3 ft (91.5 cm) remote drain hoses to allow the engine and compressor oil to be easily drained away from the engine.

Heavy Duty Compressor Air Filter



Heavy Duty Air Filter w/ Rain Cap

Part number: A700136

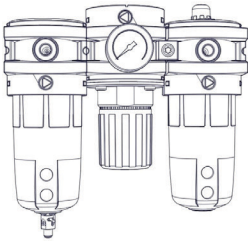
Heavy duty compressor air filter for moderate dust environments.

Heavy Duty Air Filter w/ Pre-cyclonic Filter

Part number: A700138

Heavy duty compressor air filter for moderate and heavy dust environments.

Filter Regulator Lubricator (FRL) — 70 cfm

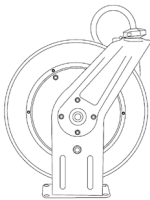


Part number: A700151

Extends the life of air tools; filter removes contaminants from the compressed air, adjustable regulator can reduce air pressure going to tools, lubricator adds atomized tool oil to the air stream to lubricate air tools (Tool oil not included).

- Max air flow: up to 70 cfm / 150 psi
 - Port size: 3/4 in NPT inlet and outlet
-

1/2 in x 50 ft Hose Reel

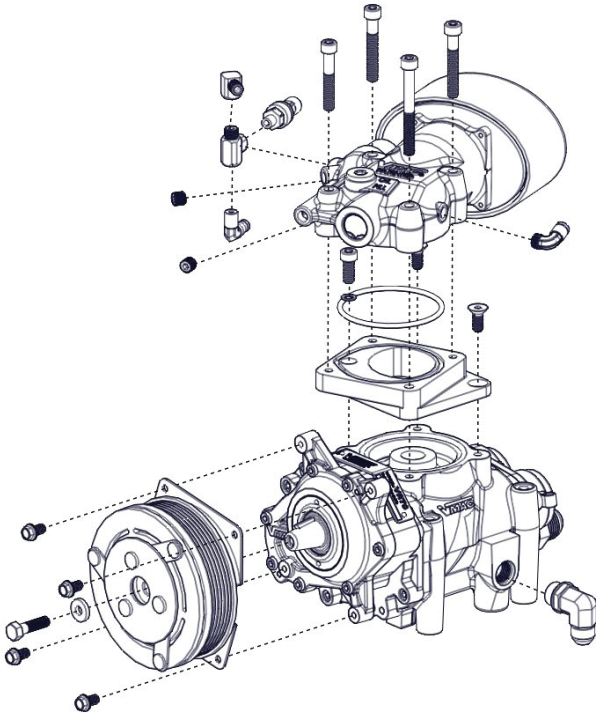


Part number: A700007

Spring-loaded 1/2 in x 50 ft hose reel; steel construction; full flow shaft and swivel for maximum performance.

VIMAC®

AIR INNOVATED



G300005 Illustrated Parts List (IPL)

www.vmacair.com



Drawings are not to scale.

1. Kit Pack List (Figure 86 on page 110 and Figure 87 on page 111)

| ITEM | QTY. | PART # | DESCRIPTION |
|------|------|---------|--|
| 1 | 1 | 1201189 | MOUNT, PLATE |
| 2 | 1 | 9500345 | ENGINE, GAS, HONDA GX390 |
| 3 | 1 | 4800782 | ASSEMBLY, THROTTLE, PNEUMATIC |
| 4 | 1 | 3501330 | BATTERY, GROUP U1 |
| 5 | 1 | 1200995 | PLATE, ENGINE |
| 6 | 1 | P190004 | ASSEMBLY, COMPRESSOR |
| 7 | 1 | 1800269 | PULLEY, CRANK, HONDA, G30+GEN |
| 8 | 1 | 3200532 | PAD, TENSIONER |
| 9 | 2 | 3300036 | TENSIONER 7C3Z-6B209-D |
| 10 | 1 | 9240014 | TANK, WHASP W/ UNLOADER, ASSEMBLED |
| 11 | 1 | 1200997 | BRACE, TOP |
| 12 | 4 | 1510528 | BOLT, HHCS NC G8 FL LK, 3/8 X 1 |
| 13 | 10 | 1520591 | BOLT,HHCS, M8-1.25 X 25, G10.9 FL PL |
| 14 | 13 | 1520627 | BOLT, HHCS, FL, PL, M8 X 1.25 X 20 |
| 15 | 19 | 1560515 | NUT, M8 X 1.25 FL PL |
| 16 | 2 | 1520629 | BOLT, HHCS, GR10.9, PL, FL, M10 X 1.5 X 16 |
| 17 | 1 | 1200994 | BRACKET, ENGINE PLATE |
| 18 | 1 | 3501371 | HOURLY METER |
| 19 | 1 | 1200999 | BRACKET, SHROUD |
| 20 | 1 | 4800877 | ASSY, BELT GUARD |
| 21 | 2 | 5800150 | FOOTMAN LOOP, STEEL, 1.5" STRAP |
| 22 | 4 | 1520643 | BOLT, HHCS, G8.8 FL, M10 X 1.50 X 50 |
| 23 | 7 | 1560512 | NUT, FLANGE PL, M10 X 1.5 |
| 24 | 2 | 1520605 | BOLT,HHCS, M8-1.25 X 30, FL PL |
| 25 | 1 | 1400424 | SPACER |
| 26 | 2 | 1560517 | NUT, NYLOCK SS, M3 |
| 27 | 2 | 1500710 | SCREW, SHCS, M3 X 14 |
| 28 | 9 | 1500711 | CLIP, 1/4 ID, ROUTING |
| 29 | 1 | 1200998 | BRACE, BOTTOM |
| 30 | 1 | 1772019 | HOSE, CRIMPED, 3/4" X 19" |
| 31 | 13 | 1520583 | BOLT, HHCS, FL, M6 X 1.0 X 20 |

| ITEM | QTY. | PART # | DESCRIPTION |
|------|------|---------|-------------------------------------|
| 32 | 7 | 1560516 | NUT, M6 X 1.0 FL PL |
| 33 | 2 | 1520625 | BOLT, HHCS, FL, M6 X 1.0 X 25 |
| 34 | 2 | 1570514 | WASHER, FLAT, ALUM, #6 |
| 35 | 4 | 1500667 | SCREW, FLAT PHILLIPS, SS, M6X1X16 |
| 36 | 1 | 3550936 | CABLE, BATTERY, NEGATIVE |
| 37 | 1 | 3550979 | CABLE, BATTERY, POSITIVE |
| 38 | 1 | 1812017 | HOSE, CRIMPED, 3/8" X 17" |
| 39 | 7 | 1520646 | BOLT, HHCS G10.9, M6 X 1 X 10 FL PL |
| 40 | 2 | 2200189 | CLAMP, INSULATED, 3/8" |
| 41 | 1 | 5800151 | BATTERY STRAP, 1.5"X 54" |
| 42 | 1 | 1400450 | SPACER, CRANK PULLEY, HONDA G30 |
| 43 | 1 | 1530544 | BOLT, FLHD SCKT, PL, NF, 3/8 X 1 |
| 44 | 1 | 4900167 | FTG, STR, #8FJIC-1/2"MNPT |
| 45 | 1 | 3600159 | VALVE, BALL, NPT-NPT, 1/2-1/2 |
| 46 | 2 | 1620365 | BELT, K040438 |
| 47 | 10 | 1700584 | SPIRAL WRAP, 1" OD, BLACK |
| 48 | 1 | 5000218 | FITTING, UNION TEE, 1/4" POLY |
| 49 | 1 | 4400346 | LABEL, SYSTEM ID PLATE |
| 50 | 2 | 1500651 | RIVET 1/8",GRIP RANGE-0.188"-0.250" |
| 51 | 1 | 4401141 | LABEL, WARNING, REFUELING |
| 52 | 1 | 4400964 | LABEL, SPECIALTY, WARNING |
| 53 | 1 | 4401437 | DECAL, G30+GEN |
| 54 | 1 | 3550975 | HARNESS, GAS DRIVE |
| 55 | 1 | 3550976 | HARNESS, FAN, GAS DRIVE |
| 56 | 1 | 1500729 | SCREW, PH, PHILLIPS, M5 X 16, NYLO |
| 57 | 2 | 1570521 | WASHER, SPRING LOCK, NYLON, M5 |
| 58 | 1 | 1570522 | WASHER, CUP SLEEVE, #10 |
| 59 | 1 | 1570488 | WASHER, NYLON, 3/16 |
| 60 | 1 | 1570520 | WASHER, EXT SERRATED LOCK, M10 |
| 61 | 4 | 1570519 | WASHER, EXT SERRATED LOCK, M8 |
| 62 | 1 | 4401376 | LABEL, FUEL SHUT OFF |
| 63 | 1 | 9500662 | ASSY, AC - GENERATOR |
| 64 | 1 | 3200627 | SPACER, IDLER |
| 65 | 1 | 1300043 | IDLER, PULLEY, 4 RIB, STEEL |
| 66 | 1 | 1520540 | BOLT, HHCS, FLHD, M10 X 1.50 X 55 |
| 67 | 1 | 1201192 | MOUNT, TENSIONER |

| ITEM | QTY. | PART # | DESCRIPTION |
|------|--------|---------|--------------------------------------|
| 68 | 1 | 1201193 | ASSY, LIFTING, G30+GEN |
| 69 | 2 | 9500139 | CLIP, RETAINER, OIL DRAIN |
| 70 | 2 | 1500681 | SCREW, PHMS, PL, M5 X 14 |
| 71 | 1 | 4900246 | CONN, STEEL, #6 MJIC X M12 X 1.5 |
| 72 | 1 | 1812022 | HOSE, CRIMPED, 3/8" X 22" |
| 73 | 15 | 1700613 | SPIRAL WRAP, 1/2" ID, BLACK |
| 74 | 4 | 1560536 | NUT, CLIP-ON M6 X 1.0, 13.5MM CENTRE |
| 75 | 1 | 1201194 | MOUNT, CONTROL |
| 76 | 1 | 4401433 | DECAL, G30+GEN THROTTLE |
| 77 | 1 | 4800876 | ASSY, VALVE, 3WAY |
| 78 | 1 | 4900245 | PLUG, #6JIC, EXT HEX |
| 79 | 1 | 1201195 | BRACKET, BELT GUARD |
| 80 | 1 | 1201197 | COVER, IP, REAR |
| 81 | 1 | 4401436 | DECAL, EXT GROUND |
| 82 | 1 | 4401432 | DECAL, G30+GEN OP INST |
| 83 | 1 | 4401434 | DECAL, UNLOADER VALVE |
| 84 | 2 | 1560540 | NUT, M5 X 1.0 FL PL |
| 85 | 1 | 1201190 | GUARD, BELT, COMPRESSOR |
| 86 | 27.75 | 1700570 | TUBE, TEFLON, PTFE,1/4"OD |
| 87 | 2@13.0 | 1700570 | TUBE, TEFLON, PTFE,1/4"OD |
| 88 | 5 | 1700570 | TUBE, TEFLON, PTFE,1/4"OD |
| 89 | 10.5 | 1700570 | TUBE, TEFLON, PTFE,1/4"OD |
| 90 | 19 | 1700570 | TUBE, TEFLON, PTFE,1/4"OD |
| 91 | 21.2 | 1700571 | TUBE, TEFLON,PTFE, 3/16"OD X 1/8"ID |
| 92 | 25.75 | 1700581 | LOOM, SPLIT PLASTIC, 1/4, HIGH TEMP |
| 93 | 2@11.0 | 1700581 | LOOM, SPLIT PLASTIC, 1/4, HIGH TEMP |
| 94 | 3 | 1700581 | LOOM, SPLIT PLASTIC, 1/4, HIGH TEMP |
| 95 | 8.5 | 1700581 | LOOM, SPLIT PLASTIC, 1/4, HIGH TEMP |
| 96 | 19 | 1700581 | LOOM, SPLIT PLASTIC, 1/4, HIGH TEMP |
| 97 | 17 | 1700581 | LOOM, SPLIT PLASTIC, 1/4, HIGH TEMP |



**Items 54 – 55, 86 – 97 not shown in Figure 86 on page 110 or Figure 87 on page 111.*

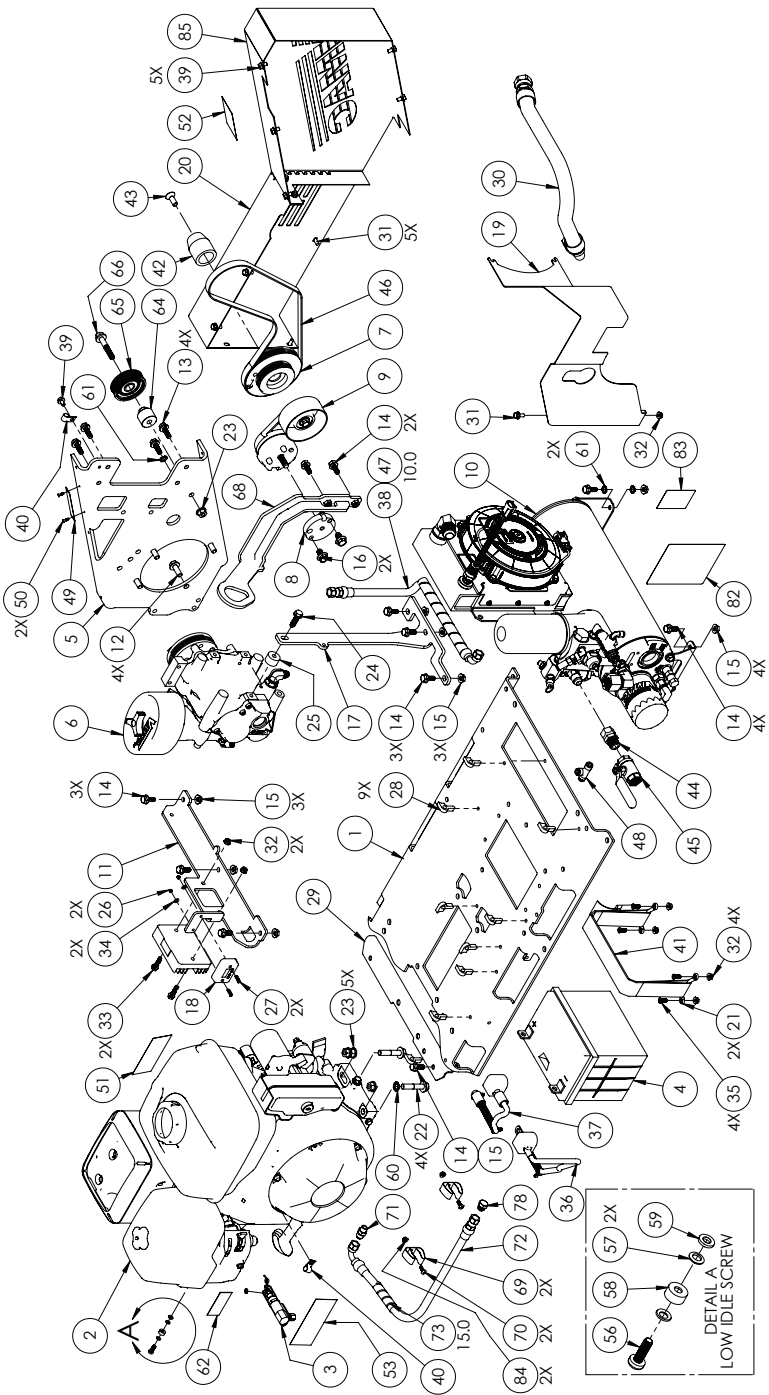


Figure 86 — Kit pack list

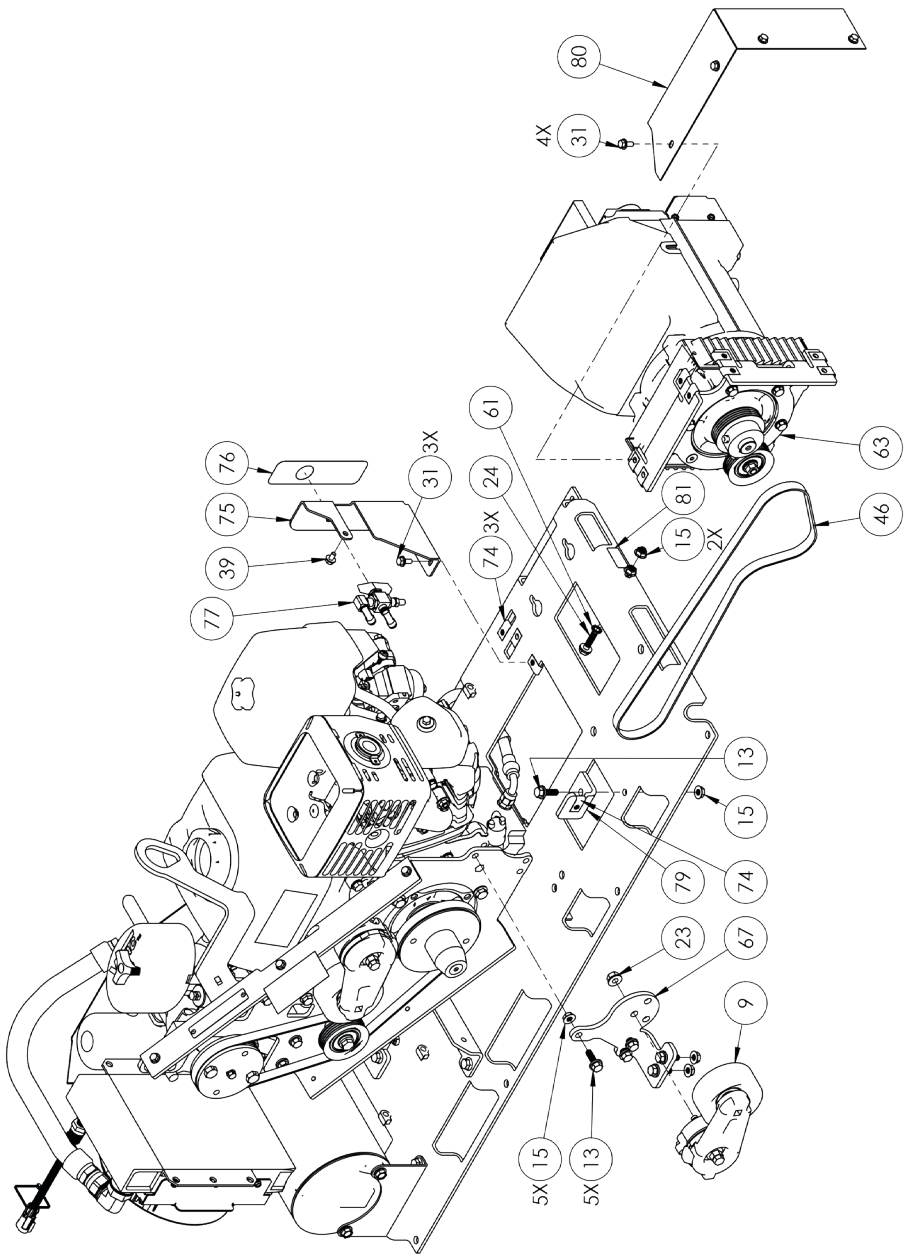


Figure 87 — Kit pack list

2. Generator Assembly, 9500662 (Figure 88)

| ITEM | QTY | PART # | DESCRIPTION |
|------|-----|---------|--------------------------------------|
| 1 | 1 | 9500662 | ASSY, AC - GENERATOR (COMPLETE) |
| 1.1 | 1 | 3501618 | COVER, GENERATOR |
| 1.2 | 1 | 1201199 | COVER, IP, FRONT |
| 1.3 | 1 | 4401435 | DECAL, GENERATOR WARNING |
| 1.4 | 4 | 1500691 | SCREW, SELF TAPPING, #10-16 X 1/2 |
| 1.5 | 2 | 1560512 | NUT, FLANGE PL, M10 X 1.5 |
| 1.6 | 8 | 1560536 | NUT, CLIP-ON M6 X 1.0, 13.5MM CENTRE |
| 1.7 | 2 | 1520627 | BOLT, HHCS, FL, PL, M8 X 1.25 X 20 |
| 1.8 | 2 | 1520571 | BOLT, HHCS, FLHD, M10 X 1.50 X 30 |
| 1.9 | 1 | 1570520 | WASHER, EXT SERRATED LOCK, M10 |
| 1.10 | 2 | 3501674 | CIR BRKR, 20A, PUSH-RESET |
| 1.11 | 1 | 3501620 | RCPT, 20A 250V, NEMA L14-20R |
| 1.12 | 1 | 3501619 | RCPT, 20A 125V, GFCI, NEMA 5-20R |

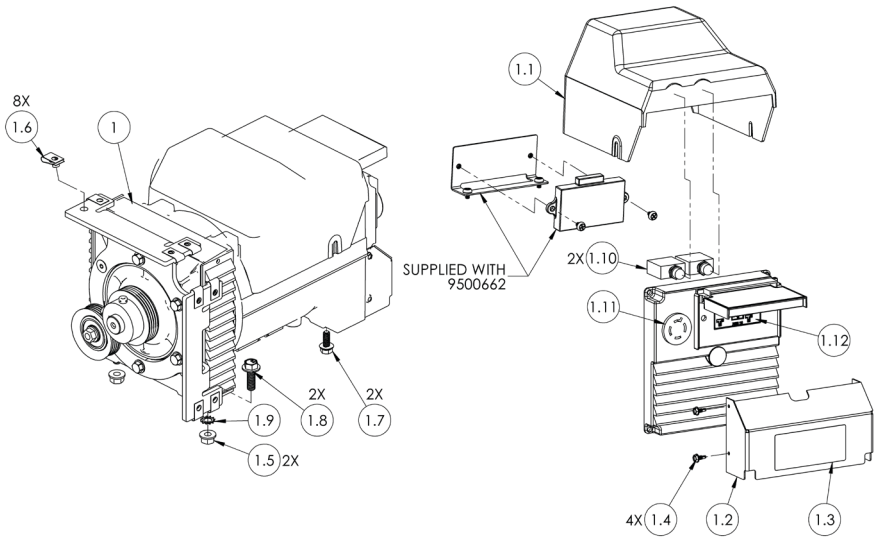


Figure 88 — Generator

This page intentionally left blank

2. Compressor Assembly, P190004 (Figure 89)

| ITEM | QTY. | PART | DESCRIPTION |
|------|------|---------|--------------------------------------|
| 1 | 1 | P190005 | ASSEMBLY, COMPRESSOR, GEARLESS |
| 2 | 1 | 4900174 | FTG, 90, #8MORB-#6MJIC, VITON |
| 3 | 1 | 5830004 | O-RING, VITON, 3 1/8 ID X 1/8 |
| 4 | 1 | 5000158 | ELBOW,BRASS 45 DEG NPT-POLY 1/8-1/4 |
| 5 | 2 | 1540530 | BOLT,SHCS,M8 X 1.25 X 55, G12.9 PLT |
| 6 | 2 | 1540550 | BOLT,SHCS,M8 X 1.25 X 50, G12.9 PLT |
| 7 | 1 | 5000090 | ELBOW, BRASS, EXTR'D 90 STREET, 1/8 |
| 8 | 1 | 5000121 | TEE, STREET, EXTRUDED, 1/8 |
| 9 | 1 | 3600185 | ASSEMBLY, MUFFLER RESTRICTION |
| 10 | 1 | 5000012 | CONNECTOR, BRASS NPT-POLY, 1/8 - 1/4 |
| 11 | 1 | 9200570 | ASSEMBLY, INLET VALVE |
| 12 | 1 | 4300076 | PIPE FTG, PLUG SKT HEAD, 1/8 |
| 13 | 1 | 5000162 | CONNECT,BRASS NPT-POLY,3/16-1/8 NPT |
| 14 | 1 | 1500252 | KEY, WOODRUFF |
| 15 | 1 | 1800273 | PULLEY, COMP, G30, TAPER |
| 16 | 1 | 1400466 | SPACER, BOLT, PULLEY |
| 17 | 1 | 1570476 | WASHER, 5/16 ID 3/4 OD |
| 18 | 1 | 1510560 | BOLT, HHCS, NF G5 PL, 5/16 X 2 1/2 |
| 19 | 1 | 3551149 | 1/4 NPT THERMAL SWITCH, NC, 140C |
| 20 | 1 | A700331 | ACCESSORY PACK, COVER, GEARLESS |

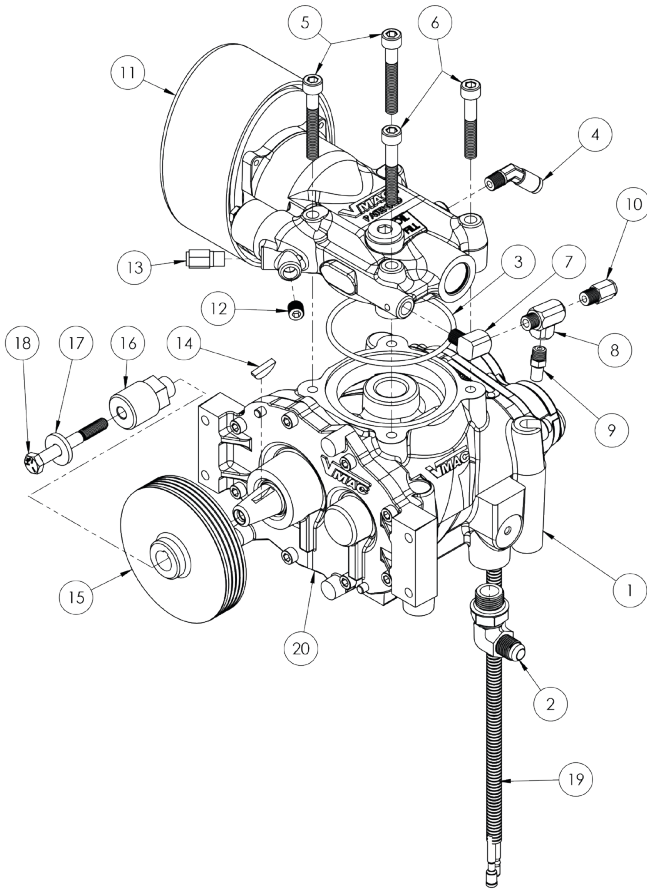


Figure 89 — Compressor Assembly (P190004)

3. Inlet Valve Sub Components, 9200570 (Figure 90)

| Item # | Part # | Qty | Description |
|--------|---------|-----|------------------------------------|
| 1 | A700137 | 1 | ACCESSORY PACK, REGULATOR ASSEMBLY |
| 2 | 4900045 | 1 | PLUG |
| 3 | 5830002 | 1 | O-RING, VITON, 2 3/8 ID X 3/32 |
| 4 | 5830160 | 1 | O-RING, 40D SIL., 1 3/8 ID X 3/16 |
| 5 | A700049 | 1 | FILTER KIT ASSEMBLY |
| 5.1 | 1500077 | 4 | SCREW, BUTTON HEAD, 10 - 32 X 3/8 |
| 5.2 | 1500519 | 1 | ROD, THREADED, 1/4 X 2.62 |
| 5.3 | 1500676 | 1 | KNOB, PLASTIC, 1/4-20 |
| 5.4 | 1550221 | 1 | NUT, HEX NC PL, 1/4, GR8 |
| 5.5 | 3200205 | 1 | PLATE, INNER FILTER |
| 5.6 | 3600037 | 1 | ELEMENT, FILTER, PAPER |
| 5.7 | 3600066 | 1 | COVER, AIR FILTER, PLASTIC |
| 5.8 | 5830070 | 1 | O-RING, VITON, 2 9/16 ID X 3/32 |

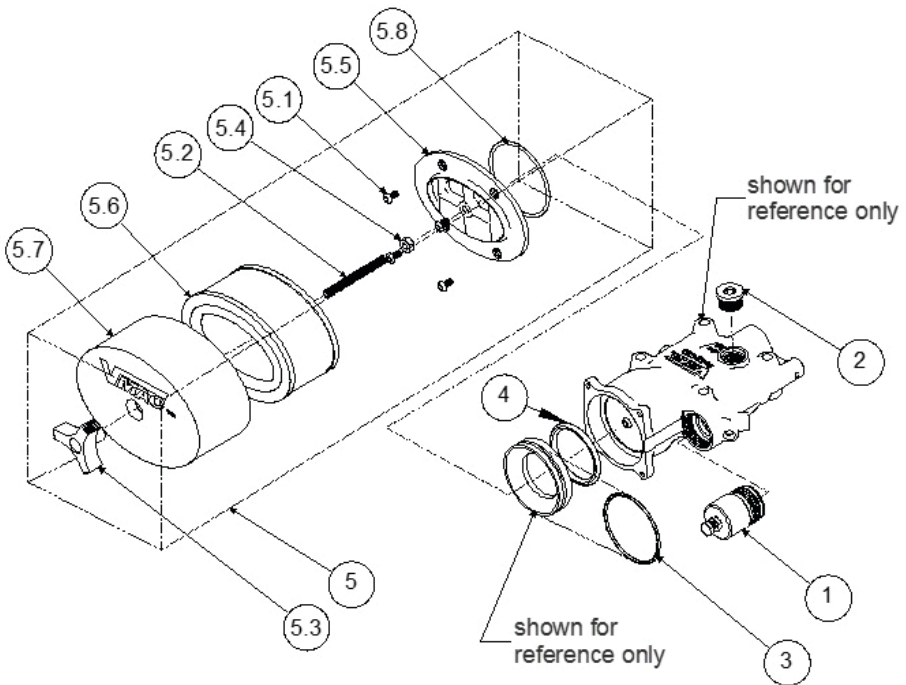


Figure 90 — Inlet Valve Sub Components

4. WHASP Tank, 9240014 (Figure 91 on page 118)

| Item # | Part # | Qty | Description |
|--------|---------|-----|-------------------------------------|
| 1 | 3600054 | 1 | VALVE, SAFETY 200 PSI |
| 2 | 5000201 | 1 | CONNECTOR,BRASS, NPT-POLY, 1/4-3/16 |
| 3 | 1200847 | 1 | PLATE, MOUNT, BOLT ON |
| 4 | 3200568 | 1 | MANIFOLD, 3 WAY, 1/4 NPT |
| 5 | 4900202 | 2 | FTG, STR, 1/4"MNPT-1/4"MNPT |
| 6 | 5000204 | 1 | ELBOW, 90, BRASS NPT-POLY, 1/4-1/4 |
| 7 | 3600178 | 1 | VALVE, DISCHARGE, D4 |
| 8 | 5000012 | 1 | CONNECTOR, BRASS NPT-POLY, 1/8-1/4 |
| 9 | 4900002 | 1 | FTG, 90, #8MORB-#8MJIC |
| 10 | 4500104 | 1 | MUFFLER, SINTERED EXHAUST, 1/8" |
| 11 | 3600171 | 1 | VALVE, MODIFIED (3600167) |
| 12 | 1520601 | 4 | BOLT, HHCS FL PL, M8 X 1.25 X 12 |
| 13 | 1200852 | 1 | PLATE, MOUNT, FILTER END |
| 14 | 3200533 | 1 | TUBE, OIL DRAIN |
| 15 | 4900175 | 1 | FTG, STR, #6MJIC-#8MORB, VITON |
| 16 | 4900117 | 1 | FTG, 90, #6FJIC-#6MJIC |
| 17 | 4900035 | 1 | NIPPLE, 3/4 - 16 |
| 18 | 4900106 | 1 | PLUG, #5ORB, EXTERNAL HEX, VITON |
| 19 | 9200039 | 1 | OIL FILTER, VR 3.250 SHORT |
| 20 | 4900260 | 2 | FTG, 90, #12MORB-#12MJIC, VITON |
| 21 | A700061 | 1 | PYREX WINDOW KIT |
| 22 | 4900164 | 1 | CAP, #12JIC, MOD |
| 23 | 1500704 | 1 | SCREW, CAP, HEX, 3/8-16 X 1/2 |
| 24 | 1570044 | 1 | WASHER, ALLOY PL SAE, 3/8 |
| 25 | 1200903 | 1 | BRACKET, UNLOADER |
| 26 | 5000020 | 1 | ELBOW, BRASS NPT-POLY, 1/8-1/4 |
| 27 | 3600213 | 1 | VALVE, UNLOADER, 135-110PSI, RCT |
| 28 | 5000140 | 1 | ELBOW, BRASS,FORGED, 90DEG,1/8 PIPE |
| 29 | 3600123 | 1 | VALVE, CHECK, 1/8 NPT |
| 30 | 5000212 | 1 | CONNECTOR,BRASS, FNPT-POLY, 1/8-1/4 |
| 31 | 4900236 | 1 | FTG, 90, #4MORB-1/4"MNPT, VITON |
| 32 | 3600166 | 1 | FITTING, NIPPLE, FILTER |
| 33 | 6000719 | 1 | SHROUD, FAN, WHASP TANK |
| 34 | 1500691 | 6 | SCREW, SELF TAPPING, #10-16 X 1/2 |
| 35 | 3550958 | 1 | FAN, PULLER, 7.5", GT280 |

| Item # | Part # | Qty | Description |
|--------|---------|-----|------------------------------------|
| 36 | 3600088 | 1 | OIL SEPARATOR, SPIN-ON |
| 37 | 3550977 | 1 | ASSEMBLY, SWITCH, THERMAL, 80C |
| 38 | 5000047 | 1 | BUSHING, BRASS, 3/8 X 1/4 |
| 39 | 1520590 | 4 | BOLT, HHCS, M6 X 1.0 X 14 FL PL |
| 40 | 1520570 | 1 | BOLT,HHCS FL LK PL, M8 X 1.25 X 16 |
| 41 | 1570519 | 1 | WASHER, EXT SERRATED LOCK, M8 |



*Item 32 includes O-ring.

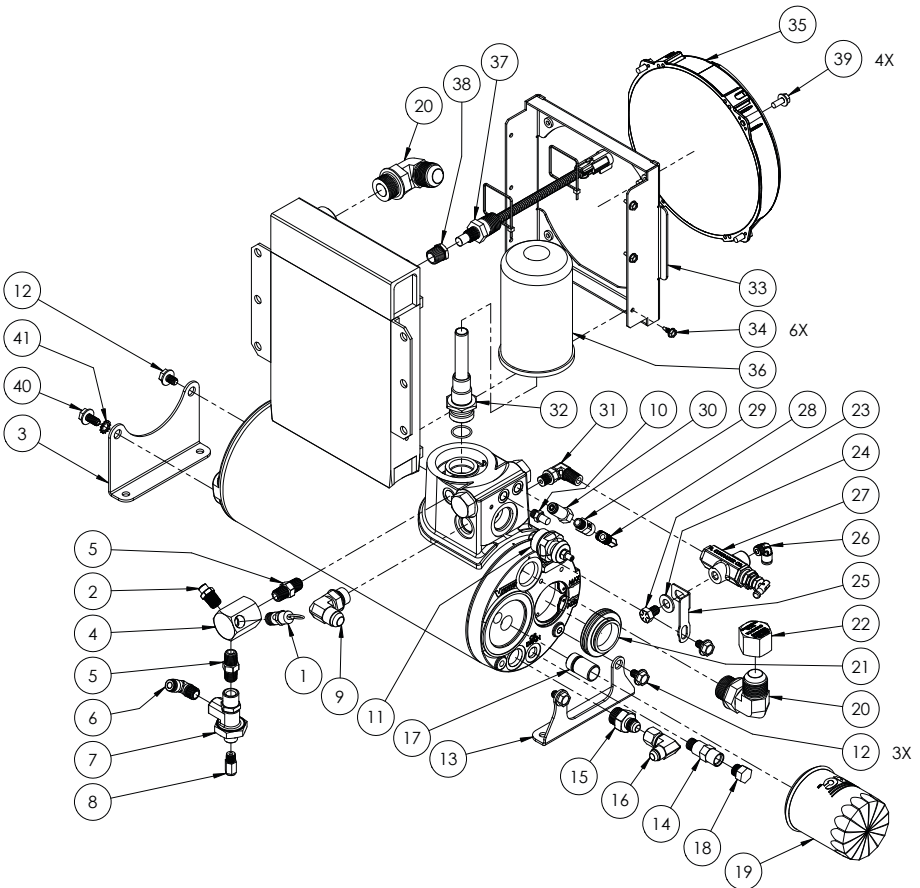


Figure 91 — WHASP Tank

Warranty Registration

This form must be fully completed and returned to VMAC at the time the vehicle is put into service. Warranty may be void if this form is not received by VMAC within 3 months of receiving the vehicle, or 200 hours of operation, whichever occurs first.



VMAC's Warranty policy and registration can be viewed online at:

www.vmacair.com/warranty

Product Information

System Identification Number: **G 3 0 0 0 5** _ _ _ _ _

Owner / End User Information

Company Name: _____

City: _____ State / Province: _____

Phone: (____) ____-_____

Email Address: _____

Date vehicle was put into service: ____/____/____
Day Month Year

Installer Information

Installer Company Name: _____

City: _____ State / Province: _____

Submitted by

Name: _____ Phone: (____) ____-_____

Email Address: _____

Vehicle Information (Optional)

Unit: _____ Year: _____

Make: _____ Model: _____

Vehicle Identification Number: _____

Manufactured by



888-241-2289



tech@vmacair.com



877-740-3202



warranty@vmacair.com



www.vmacair.com



kb.vmacair.com



1333 Kipp Road, Nanaimo, B.C., V9X 1R3 Canada