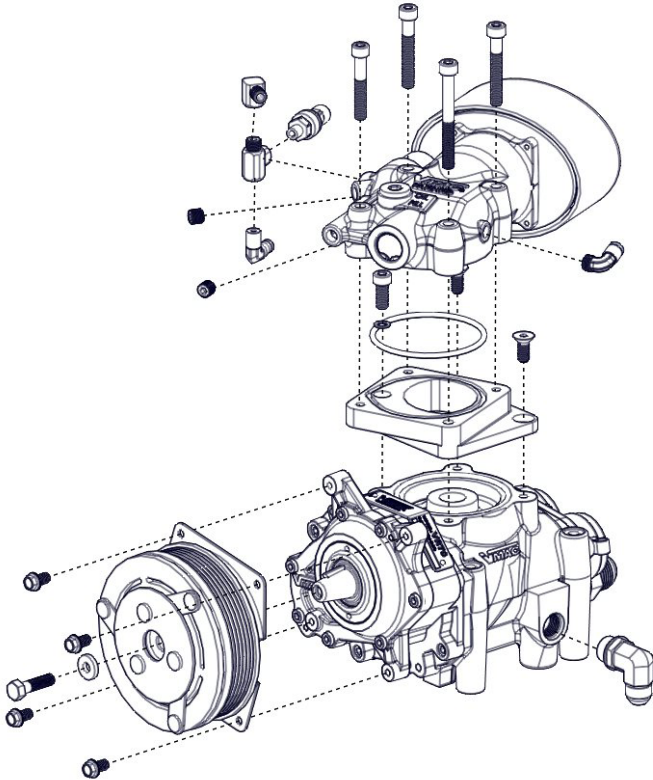


VMAC[®]

AIR INNOVATED[™]



Illustrated Parts List for VMAC System / Accessory

V900127

**2012 – 2019 GM 2500 – 3500 Pickup, Crew Cab
6.0 L Vortec Gas**

www.vmacair.com

Illustrated Parts List for VMAC System V900127

2012-2019 GM 2500 – 3500 Pickup, Crew Cab 6.0L Vortec GAS

1 - Kit Pack List	2
2 - Fastener Pack – 3801059	4
3 - Compressor Assembly – P120134	6
4 - Compressor Sub Components – P120004	8
5 - Inlet Valve Sub Components – 9200579	10
6 - Main Bracket Assembly, 4800571	11
7 - Tank Mount Strap Assembly – 4800677	12
8 - VR70 Tank, 9200430	13
9 - Cooler Assembly – 4800572	15

Note: Drawings are not to scale.

Document 1930192 Changes and Revisions

Version	Revision Details	Revised by/date	Approved by/date	Implemented
F	ECN 15-063	CJH 29 MAY 2015	MH/RD 18 Jun 2015	18 Jun 2015
G	ECN 17-165	CJH 27 SEP 2017	KRM/RB/AWG 29 Sept 2017	29 Sept 2017
H	ECN 19-030	CAM 21FEB2019	KRM/BDJJ/AWM 27 Mar 2019	22 Apr 2019
J	ECN: 23-120	IRBC 18MAY2023	GJM 12JUN2023	06JUL2023

VMAC – Vehicle Mounted Air Compressors

Toll Free: 1-800-738-8622

Local: 1-250-740-3200

Fax: 1-250-740-3201

1 - Kit Pack List

Item #	Part #	Qty	Description
1	1610046	1	BELT, K060710
2	1752068	1	HOSE, CRIMPED, 1/2" X 68"
3	1752075	1	HOSE, CRIMPED, 1/2" X 75"
4	1771078	1	HOSE, CRIMPED, 3/4" X 78"
5	4800703	1	CRANK PULLEY
6	1930191	1	MANUAL, INSTALLATION, V900127
7	1930060	1	MANUAL, OWNERS GENERIC, VR70 & 150
8	1930192	1	ILLUSTRATED PARTS LIST, V900127
9	2200105	2	CLAMP, MOUNTING BRACKET C, 6
10	3550727	1	VR CONTROL BOX
11	3550747	1	INTERFACE CABLE, V900107/108/117/127
12	3560222	1	VRTC, V900127
13	3801059	1	FASTENER PACK, V900127
14	4800677	2	ASSEMBLY, TANK BRACKET
15	4800572	1	ASSEMBLY, COOLER
16	4800573	1	SYS ID & OP INSTR V900117/127
17	4800571	1	ASSEMBLY, MAIN BRACKET
18	9200430	1	TANK, VR70 DRESSED INT OIL FILTER
19	A700091	1	OIL, VR, 1L, HIGH PERFORMANCE
20	A700094	1	OIL, VR, 4L, HIGH PERFORMANCE
21	P120134	1	COMPRESSOR ASSEMBLY
22	2200169	1	STRAP, TANK CABLE, 17.5"
23	2200111	1	STRAP, TANK, BACKING

VMAC – Vehicle Mounted Air Compressors

Toll Free: 1-800-738-8622

Local: 1-250-740-3200

Fax: 1-250-740-3201

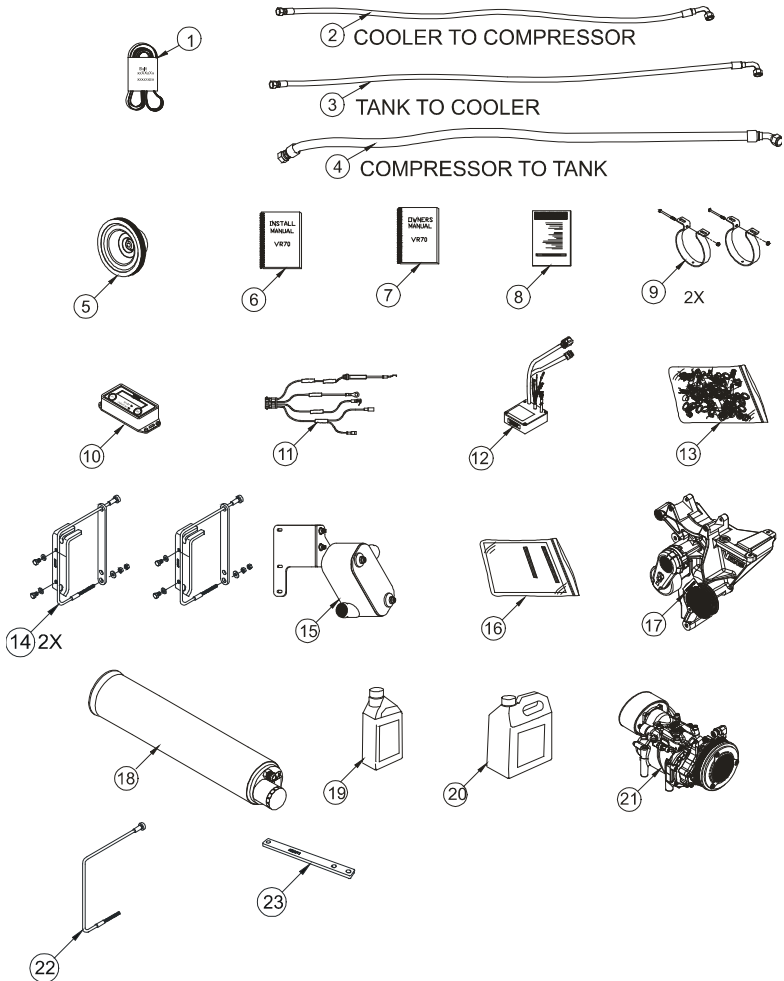


Figure 1 - Kit Pack List

2 - Fastener Pack – 3801059

Item #	Part #	Qty	Description
1	3801060	1	FASTENER PACK, CRANK BOLT
1.1	1520631	1	BOLT, HHCS, M16 X 2.0 X 120 PL 10.9
1.2	1570233	1	WASHER, FLAT SAE, 5/8
2	3800806	1	FASTENER PACK, AIREND
2.1	1520591	2	BOLT,HHCS, M8-1.25 X 25,G10.9 FL PL
2.2	1540521	1	BOLT, SHCS, PL, M8 X 1.25 X 110
3	3800570	1	FASTENER PACK, WIRING LOOM
3.1	1700029	96"	LOOM, SPLIT PLASTIC, 1/2
3.2	2200039	10	TIE, NYLON MD, 7"
4	3800807	1	FASTENER PACK, COOLER
4.1	2200026	2	CLAMP, HOSE HS28
4.2	1570491	3	WASHER, FLAT, M6, PLATED
5	3800665	1	FASTENER PACK
5.1	1700570	122.5	TUBE, TEFLON, PTFE, 1/4"OD X 3/16"ID
5.2	1700571	113.5	TUBE, TEFLON,PTFE, 3/16"OD X 1/8"ID
5.3	1700581	122.5	LOOM, SPLIT PLASTIC, 1/4, HIGH TEMP
5.4	1700581	113.5	LOOM, SPLIT PLASTIC, 1/4, HIGH TEMP
5.5	2200039	10	TIE, NYLON MD, 7"
6	3800280	1	FASTENER PACK, TANK FITTINGS
6.1	4900036	1	ELBOW, STEEL JIC SWIVEL 45, 3/4
6.2	4900056	1	ELBOW, STEEL SWIVEL 45, 1/2
7	3801128	1	FASTENER PACK, AHA RELOCATION
7.1	1200899	1	BRACKET, AHA RELOCATION
7.2	1520570	1	BOLT,HHCS FL LK PL, M8 X 1.25 X 16
7.3	1520615	2	BOLT,HHCS FL,PL,GR10.9,M8 X1.25 X50
7.4	1520627	1	BOLT, HHCS, FL PL, M8 X 1.25 X 20
7.5	1560515	3	NUT, M8 X 1.25 FL PL

VMAC – Vehicle Mounted Air Compressors

Toll Free: 1-800-738-8622

Local: 1-250-740-3200

Fax: 1-250-740-3201

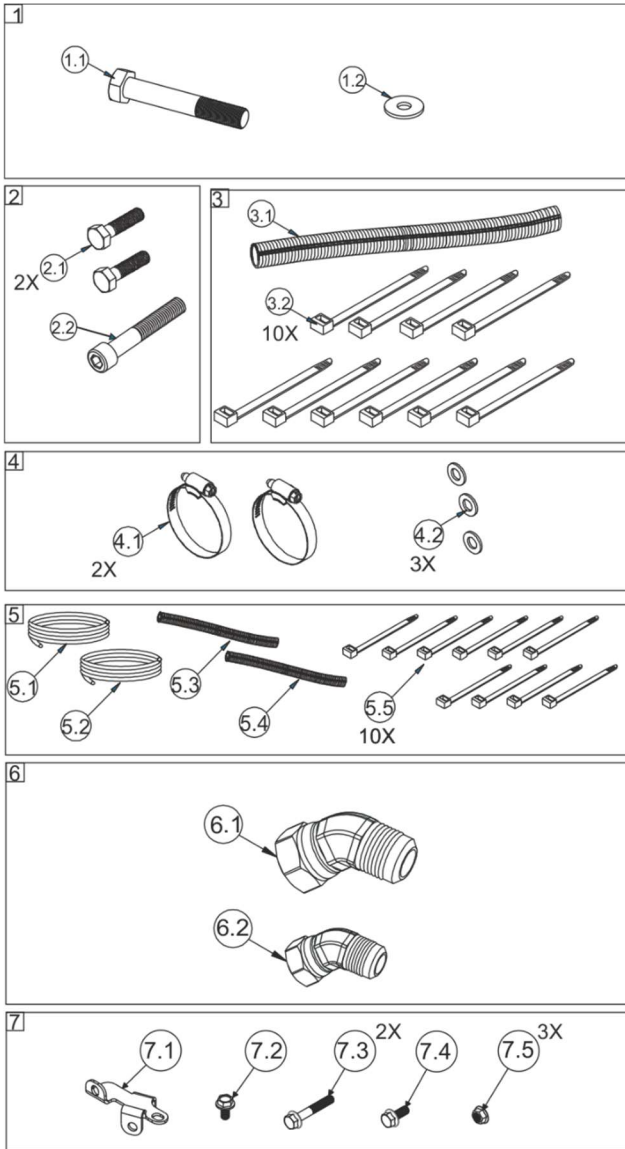


Figure 2 - Fastener Packs – V900127

3 - Compressor Assembly – P120134

Item #	Part #	Qty	Description
1	P120004	1	VR70 COMPRESSOR
2	9200579	1	INLET VALVE, BASIC INTEGRATED REG-H
3	4400295	1	LABEL, VR70 NAMEPLATE
4	1540550	2	BOLT, SHCS, M8 X 1.25 X 50, G12.9
5	1540530	2	BOLT, SHCS, M8 X 1.25 X 55, G12.9
6	4900045	1	PLUG, STEEL HEX SAE/O-RING PORT
7	5000162	1	CONNECT,BRASS NPT-POLY,3/16-1/8 NPT
8	5000020	1	ELBOW, BRASS NPT-POLY, 1/8-1/4
9	4900203	1	CONN, STEEL, 90, #8 MJIC - #8 MORB
10	4300076	1	PIPE FTG, PLUG SKT HEAD, 1/8
11	5830004	1	O-RING, VITON, 3 1/8 ID X 1/8
12	1500355	2	SCREW, LONG U DRIVE, 2-3/16
13	3500288	1	SENSOR, PRESSURE
14	5000112	1	ELBOW, BRASS STREET 45 DEG, 1/8
15	5830132	1	O-RING, VITON, #8 ORB
16	5400345	A/R	LOCTITE, 592, THREADSEALANT SLOW CURE

VMAC – Vehicle Mounted Air Compressors

Toll Free: 1-800-738-8622

Local: 1-250-740-3200

Fax: 1-250-740-3201

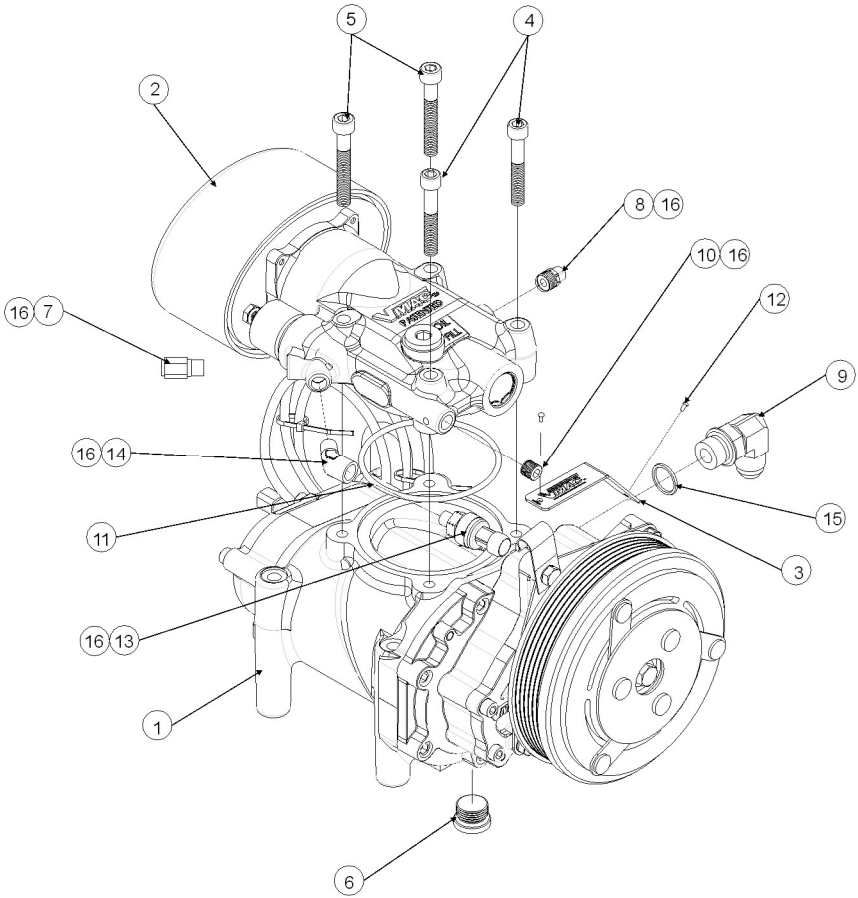


Figure 3 - Compressor Assembly

4 - Compressor Sub Components – P120004

Item #	Part #	Qty	Description
1	A700066	1	FRONT GEAR CASE ASSEMBLY
1.1	A700161	1	ASSEMBLY, SEAL RETAINER
1.2	5830023	1	O-RING, VITON, 4 1/4 ID X 3/32
2	P200035	1	CLUTCH, COMPLETE, 6 GROOVE
3	3550682	1	PROBE, ASSY, THERMISTOR, SHORT

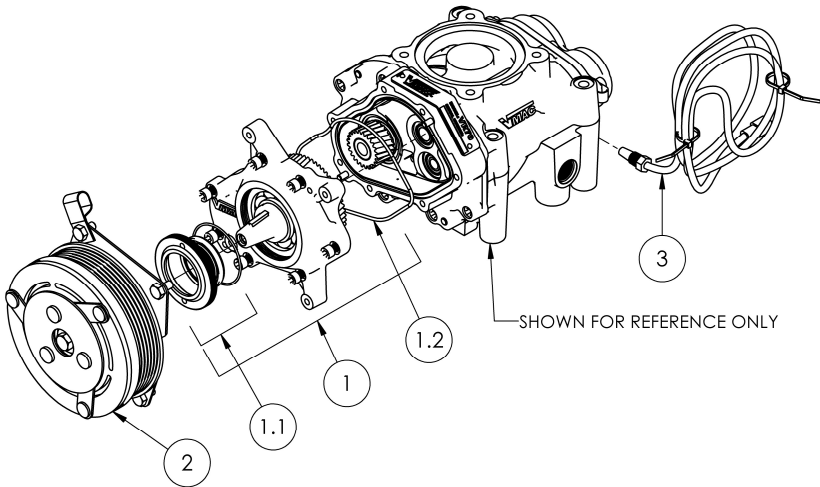


Figure 4 - Compressor Sub Components

VMAC – Vehicle Mounted Air Compressors

Toll Free: 1-800-738-8622

Local: 1-250-740-3200

Fax: 1-250-740-3201

VMAC – Vehicle Mounted Air Compressors
Toll Free: 1-800-738-8622
Local: 1-250-740-3200
Fax: 1-250-740-3201

5 - Inlet Valve Sub Components – 9200579

Item #	Part #	Qty	Description
1	3600046	1	REGULATOR VALVE
2	4900045	1	PLUG
3	5830002	1	O-RING, VITON, 2 3/8 ID X 3/32
4	5830130	1	O-RING, VITON, 1 3/8 ID X 3/16
5	A700049	1	FILTER KIT ASSEMBLY
5.1	1500077	4	SCREW, BUTTON HEAD, 10 - 32 X 3/8
5.2	1500519	1	ROD, THREADED, 1/4 X 2.62
5.3	1550029	1	NUT, NYLOCK NC, 1/4
5.4	1550221	1	NUT, HEX NC PL, 1/4, GR8
5.5	1570038	1	WASHER, FLAT SAE, 1/4
5.6	3200205	1	PLATE, INNER FILTER
5.7	3600037	1	ELEMENT, FILTER, PAPER
5.8	3600066	1	COVER, AIR FILTER, PLASTIC
5.9	5830070	1	O-RING, VITON, 2 9/16 ID X 3/32

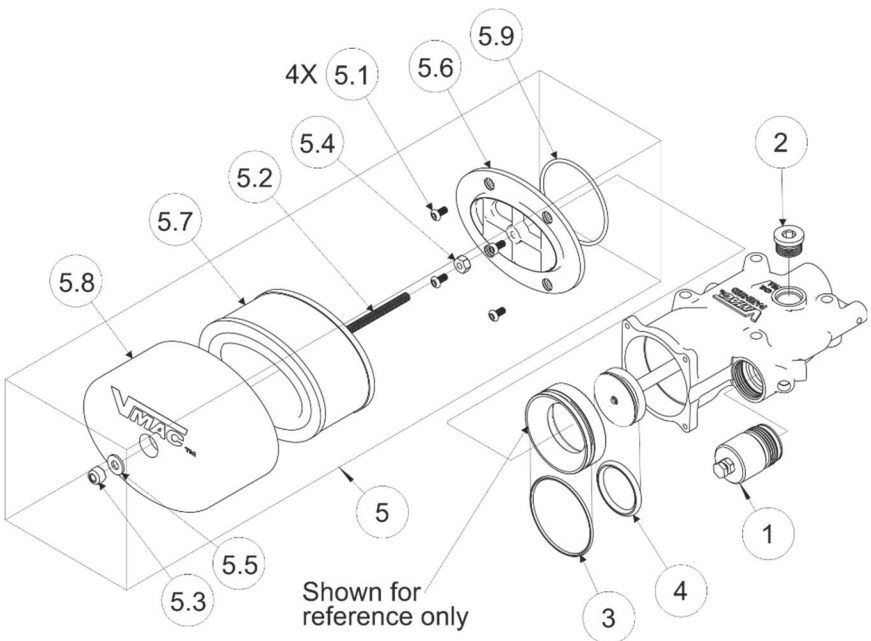


Figure 5 - Inlet Valve Sub Components

VMAC – Vehicle Mounted Air Compressors

Toll Free: 1-800-738-8622

Local: 1-250-740-3200

Fax: 1-250-740-3201

6 - Main Bracket Assembly, 4800571

Item #	Part #	Qty	Description
1	1100188	1	BRACKET, MAIN
2	3300036	1	TENSIONER 7C3E-6B209-CD
3	1300030	1	IDLER, SERP, 6 RIB, FLANGE, 90MM
4	4400463	1	LABEL, FASTENERS NOT TIGHTENED
5	1570496	1	WASHER, FENDER, 10MM X 30MM
6	1520563	1	BOLT, HHCS, FLHD, M10 X 1.50 X 25MM

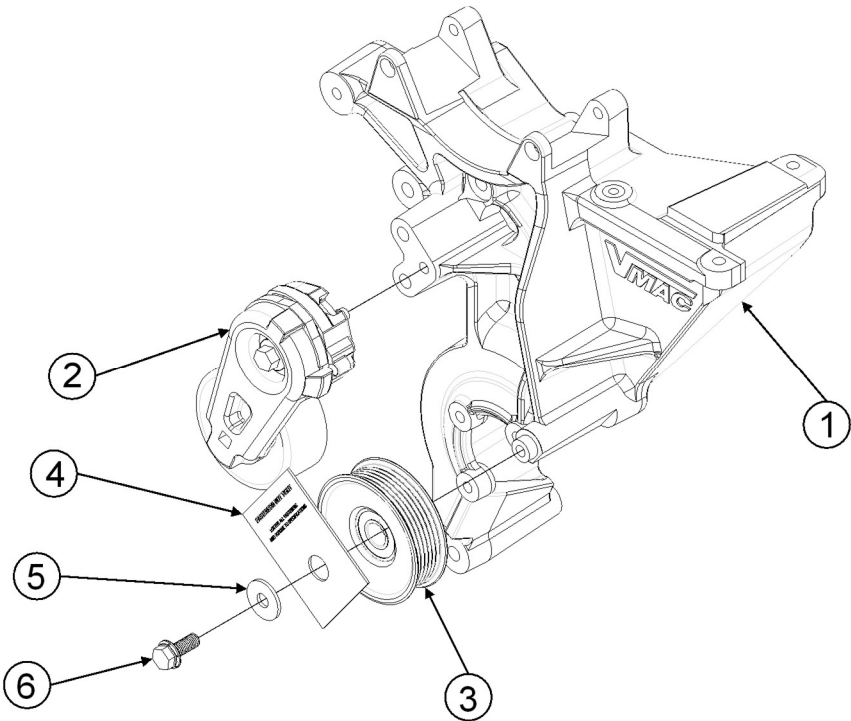


Figure 6 - Main Bracket Assembly

7 - Tank Mount Strap Assembly – 4800677

Item #	Part #	Qty	Description
1	1200236	1	BRACKET, STRAP, TANK MOUNT
2	1510349	2	BOLT, HHCS NC G8 PL, 5/16 X 1/2
3	1550066	2	NUT, HEX NC, 5/16
4	1570067	2	WASHER, SAE, 5/16
5	1570476	1	WASHER, 5/16 ID X 3/4 OD
6	2200120	1	STRAP, TANK CABLE, 17
7	2200113	1	STRAP, TANK FLAT BAR, BACKING STRAP

Note: Two assemblies per kit

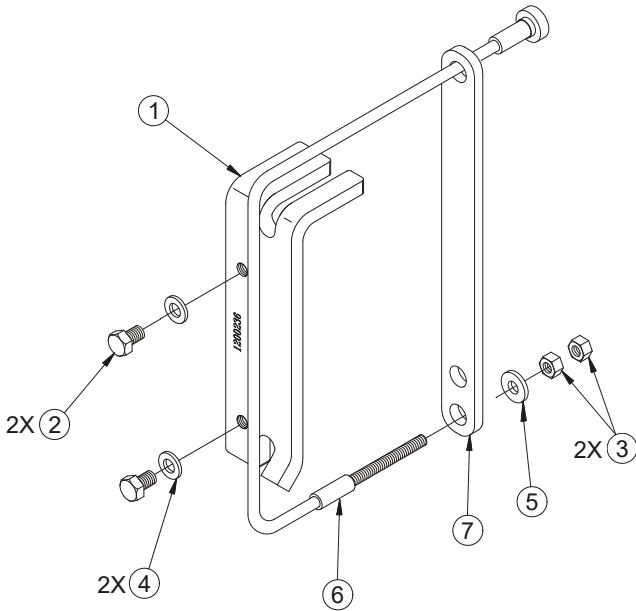


Figure 7 - Tank Mount Strap Assembly

VMAC – Vehicle Mounted Air Compressors

Toll Free: 1-800-738-8622

Local: 1-250-740-3200

Fax: 1-250-740-3201

8 - VR70 Tank, 9200430

Item #	Part #	Qty	Description
1	1510086	6	BOLT, HHCS NC G5 FL LK, 3/8 X 1
2	1510522	2	BOLT, HHCS NC G8 FL LK PL, 1/4 X 1/2
3	3200231	1	COVER, SIGHT GLASS
4	3600064	1	SEAL, TANK REAR CAP
5	3600090	1	THIMBLE, SCREEN
6	4900033	1	CONNECTOR, STEEL NPT-JIC, 3/4-3/4
7	4900035	1	NIPPLE, STEEL STR THRD, 3/4 - 16
8	4900106	1	PLUG, STEEL, #5 ORB, HEX
9	5000020	1	ELBOW, BRASS NPT-POLY, 1/8-1/4"
10	5000089	1	CONNECTOR, BRASS NPT-SAE, 3/8 - 1/2
11	5000165	1	ELBOW,90, BRASS NPT-POLY, 1/8-3/16"
12	5000160	1	ADAPTER, BRASS, 1/8-1/8 NPT
13	A700152	1	ELEMENT, SEP, COALESCING
14	5830066	1	O-RING, VITON, 4 3/4 ID X 1/8
15	5840069	1	SPRING, COMPRESSION, FL 1.5",OD .54
16	9200039	1	OIL FILTER, VR 3.250 SHORT
17	9200437	1	ASSEMBLY, BLOWDOWN CAP
17.1	3600054	1	VALVE, SAFETY, 3/8, 200 PSI
17.2	4500104	1	MUFFLER, SINTERED EXHAUST, 1/8"
18	9200378	1	TANK, OIL SEPARATOR
19	A700061	1	SIGHT GLASS ASSEMBLY

VMAC – Vehicle Mounted Air Compressors

Toll Free: 1-800-738-8622

Local: 1-250-740-3200

Fax: 1-250-740-3201

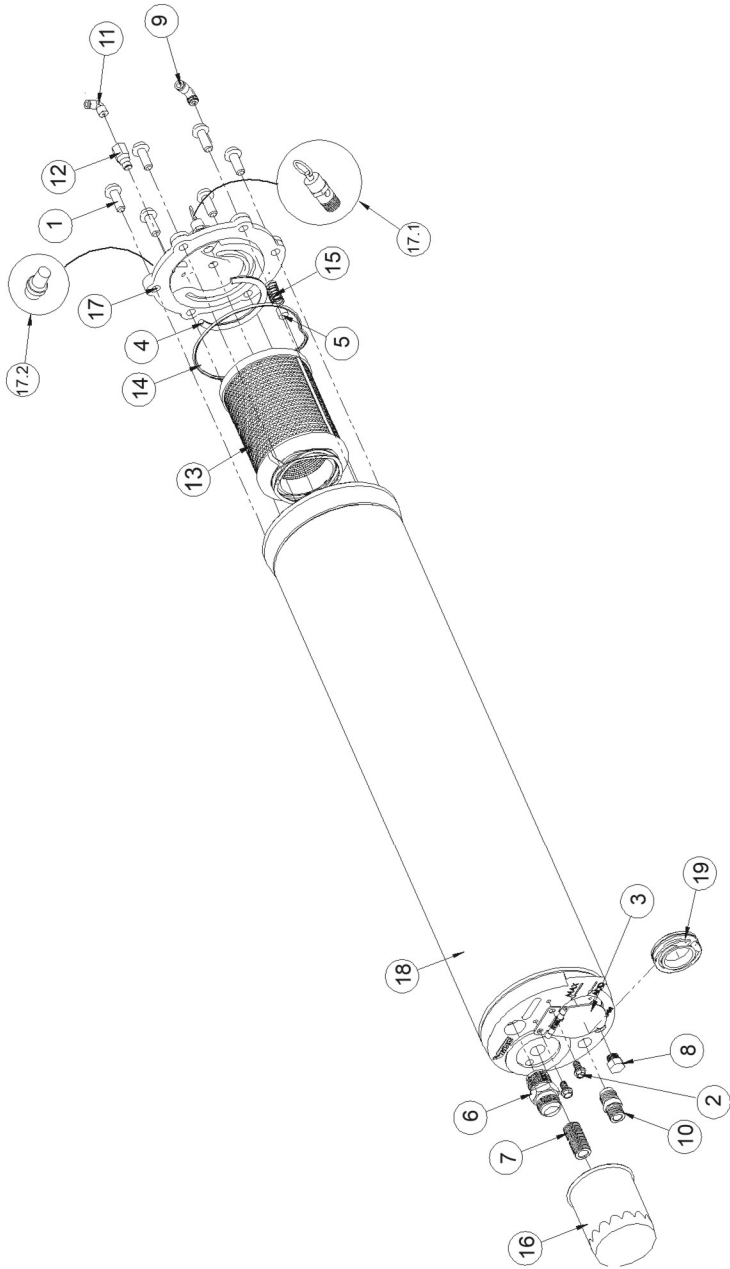


Figure 8 - VR70 Tank

VMAC – Vehicle Mounted Air Compressors

Toll Free: 1-800-738-8622

Local: 1-250-740-3200

Fax: 1-250-740-3201

9 - Cooler Assembly – 4800572

Item #	Part #	Qty	Description
1	9200465	1	COOLER
2	1200631	1	BRACKET, COOLER
3	1560515	2	NUT, M8 X 1.25 FL PL

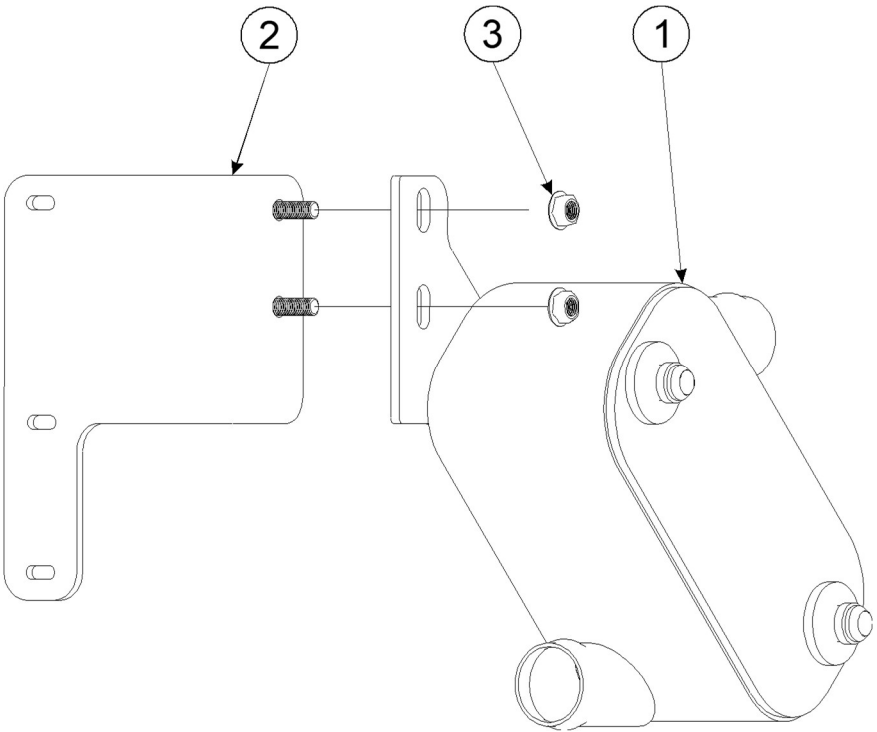


Figure 9 - Cooler Assembly

This page intentionally left blank

Manufactured by



888-241-2289



tech@vmacair.com



877-740-3202



warranty@vmacair.com



www.vmacair.com



www.kb.vmacair.com



1333 Kipp Road, Nanaimo, B.C., V9X 1R3 Canada