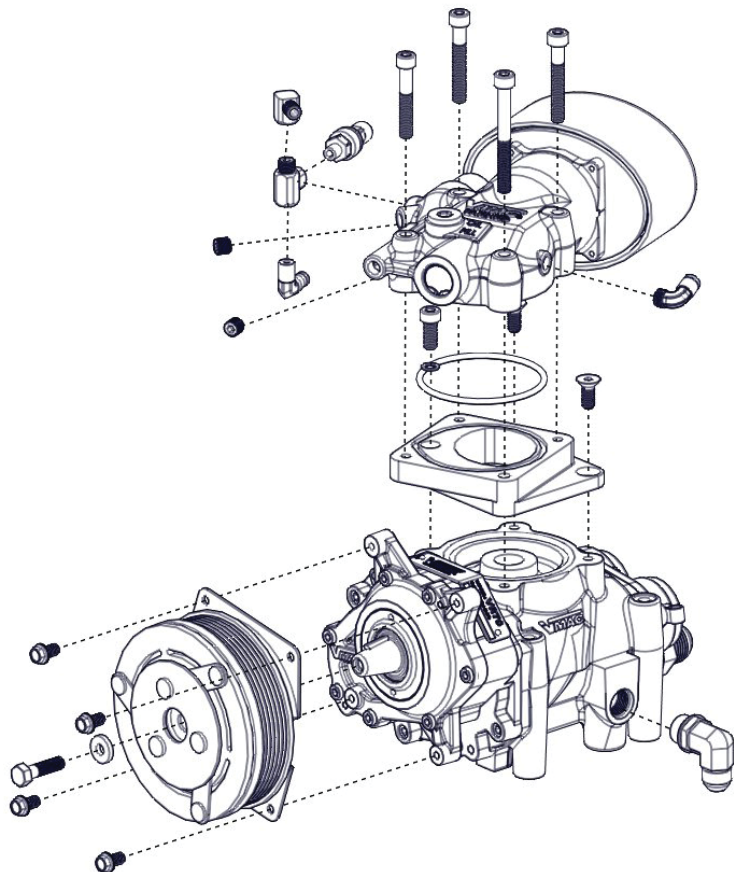


UNDERHOOD® **40** AIR COMPRESSORS



Illustrated Parts List for VMAC System

V400040

With Advanced Digital Controls

2023+ Ford F-250 — F-600 Super Duty

6.7 L Diesel

www.vmacair.com

Illustrated Parts List for VMAC System V400040

**2023+ Ford F-250 – F-600
6.7L Power Stroke V8 Diesel**

1. Kit Pack List.....	2
2. Fastener Pack, 3801494	4
3. Front Inlet, Vertical Discharge Compressor, P130044	6
4. WHASP Tank Assembly, 2110120	8
5. Air Filter Assembly, 4800674	10
6. Electrical Pack, 3810118.....	11
7. Electrical Pack, 3810119.....	12
8. Accessory Products	13

NOTE: drawings are not to scale.

Document 1930522

Changes and Revisions

Revision	Revision Details	Revised by	Checked by				Implemented
			Eng.		Tech.	Qual.	
			Mech.	Elec.			
A	ECN 24-003: ENGINEERING RELEASE	CAM/ASE	IMC	CAB	DSB	LH	16Jan2024
B	ECN 24-092: CONF UPDATE	CAM	KRM	N/A	JT	LH	10Jun2024

VMAC – Vehicle Mounted Air Compressors

Sales: 877-912-6605

Tech: 888-241-2289

Fax: 877-740-3202

www.vmacair.com

1. Kit Pack List

Item #	Part #	Qty	Description
1	4800674	1	ASSY, REMOTE AIR FILTER
2	1620360	1	BELT, DK081403
3	1100233	1	BRACKET, MAIN, FORD 6.7L
4	P130044	1	COMP, VR40, FRT INLET, VERT DISCH
5	2110120	1	ASSY, WHASP TANK, U40
6	3551095	1	DISPLAY BOX, EO, GENERIC
7	3551137	1	CONTROLLER, EO, U40
8	3560304	1	DTC, U40 FORD 6.7D 2023+
9	4800766	1	ASSY, INTAKE HOSE
10	1812240	1	HOSE, CRIMPED, 3/8" X 240"
11	1751031	1	HOSE, CRIMPED, 1/2" X 31"
12	1772215	1	HOSE, CRIMPED, 3/4" X 215"
13	3801512	1	FAST PACK, FORD 6.7D, EO VR40
14	3810118	1	ELEC PACK, U40, MX64, EO
15	3810119	1	ELEC PACK, U40, SYS, EO
16	4800789	1	SYS ID & OP INSTR, FORD 6.7L
17	A700094	1	OIL, VR, 4L, HIGH PERFORMANCE
18	1930506	1	MANUAL, OWNER, U40, ADV. DIG. CONT
19	1930521	1	MANUAL, INSTALLATION, V400040
20	1930522	1	ILLUSTRATED PARTS LIST, V400040

VMAC – Vehicle Mounted Air Compressors

Sales: 877-912-6605

Tech: 888-241-2289

Fax: 877-740-3202

www.vmacair.com

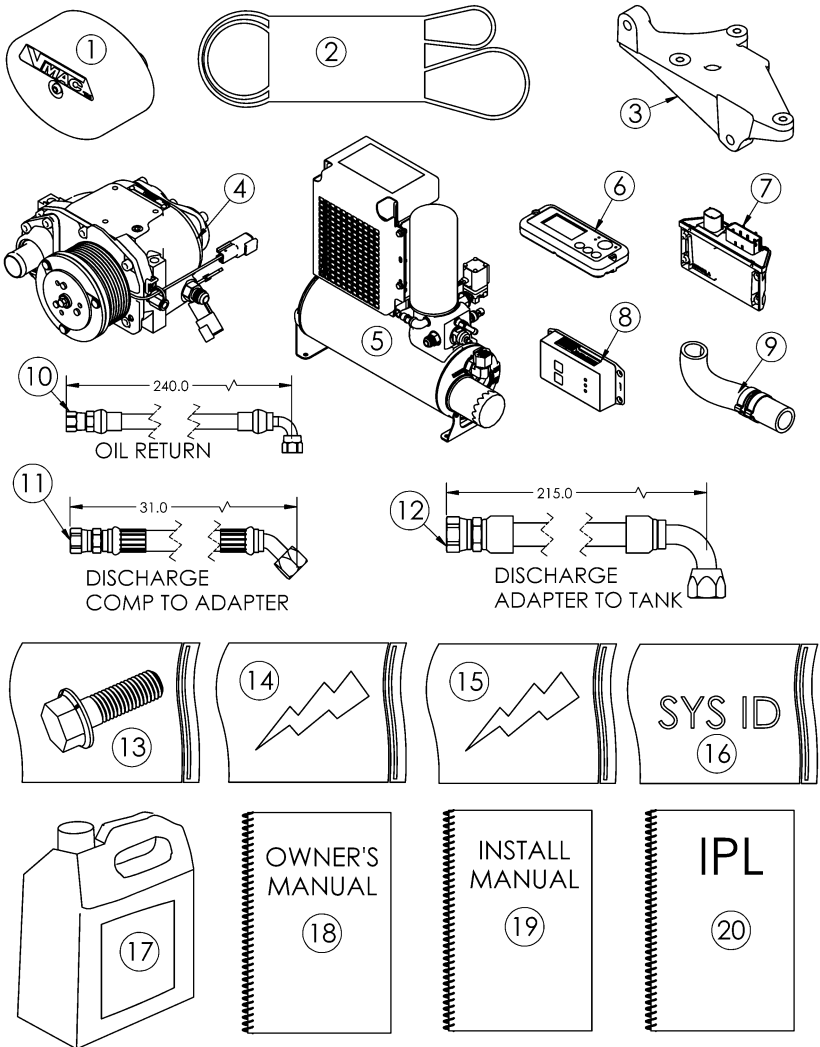


Figure 1 - Kit Pack List

VMAC – Vehicle Mounted Air Compressors

Sales: 877-912-6605

Tech: 888-241-2289

Fax: 877-740-3202

www.vmacair.com

2. Fastener Pack, 3801494

Item #	Part #	Qty	Description
1	3801253	1	FAST PACK, MAIN BRACKET
1.1	1540495	2	BOLT, SHCS, M8 X 1.25 X 100, G12.9
1.2	1540248	1	BOLT, SHCS, M8 X 1.25 X 35
1.3	1200965	1	BRACKET, REAR
1.4	1520605	2	BOLT,HHCS, M8-1.25 X 30, FL PL
1.5	1520011	1	BOLT, HHCS G10.9, M10 X 1.5 X 90
1.6	1520621	1	BOLT, HHCS, FLHD, M10 X 1.5 X 45
2	3801401	1	FAST PACK, AIR INTAKE
2.1	1201126	1	BRACKET, AIR FILTER
2.2	2200047	2	CLAMP, HOSE HS16
2.3	1570491	2	WASHER, FLAT, M6, PLATED
3	3801057	1	FASTENER PACK, TEFLON HOSE
3.1	2200039	20	TIE, NYLON MD, 7"
3.2	1700570	216.0	TUBE, TEFLON, PTFE,1/4"OD
4	3801056	1	FASTENER PACK, RIBBED IDLERS
4.1	1300023	2	IDLER, PULLEY 8 RIB, 3.5
5	3801071	1	FASTENER PACK, HOSE CONNECTOR
5.1	4900227	1	CONN, STEEL, #12 MJIC X #8 MJIC
6	3801507	1	FAST PACK, BLOWDOWN SENSOR, W/BRKT
6.1	4800890	1	ASSY, PRESS SENSOR, 200PSI, 1/4 DOT
6.2	1700570	24.0	TUBE, TEFLON, PTFE,1/4"OD
6.3	1700581	20.0	LOOM, SPLIT PLASTIC, 1/4, HIGH TEMP
6.4	5000218	1	FITTING, UNION TEE, 1/4" POLY
6.5	2200178	1	CLAMP, 5/8, CUSHION
6.6	1520590	1	BOLT, HHCS, M6 X 1.0 X 14 FL PL
6.7	1560537	1	NUT, NYLOCK, M6 X 1.0, FL PL
6.8	1201201	1	BRACKET, FOOT MOUNT, VR40

VMAC – Vehicle Mounted Air Compressors

Sales: 877-912-6605

Tech: 888-241-2289

Fax: 877-740-3202

www.vmacair.com

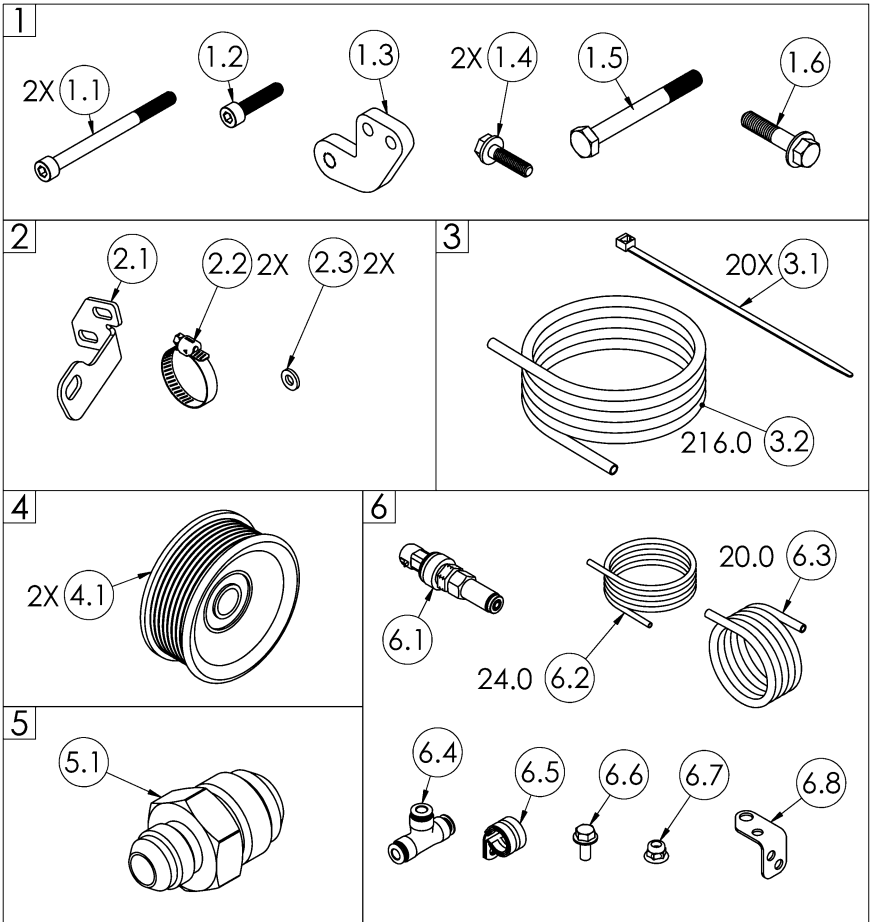


Figure 2 – Fastener Pack

VMAC – Vehicle Mounted Air Compressors

Sales: 877-912-6605

Tech: 888-241-2289

Fax: 877-740-3202

www.vmacair.com

3. Front Inlet, Vertical Discharge Compressor, P130044

Assembly sub-components listed below

Item #	Part #	Qty	Description
1	A700346	1	REPLACEMENT CLUTCH, 85MM, W/CONN
2	9230071	1	SPACER, INPUT SHAFT, VR40
3	A700351	1	KIT, VR40 FRT COVER, FRT IN, EO
4	4900203	1	CONN, STEEL, 90, #8 MJIC - #8 MORB
5	5000012	1	CONNECTOR, BRASS NPT-POLY, 1/8-1/4
6	3551143	1	PROBE, ASSY, THERMISTOR, DTM/ATM
7	1500623	1	SCREW,PT HD,PL F-THRD 6-32 X 1/4"
8	2200164	1	TIE, NYLON, BLACK, 8"
9	2200250	1	TIE MOUNT, HEAT STABILIZED NYLON
10	4900177	1	FTG, STR, #6MJIC-#6MORB, VITON
11	4300076	1	PIPE FTG, PLUG SKT HEAD, 1/8

VMAC – Vehicle Mounted Air Compressors

Sales: 877-912-6605

Tech: 888-241-2289

Fax: 877-740-3202

www.vmacair.com

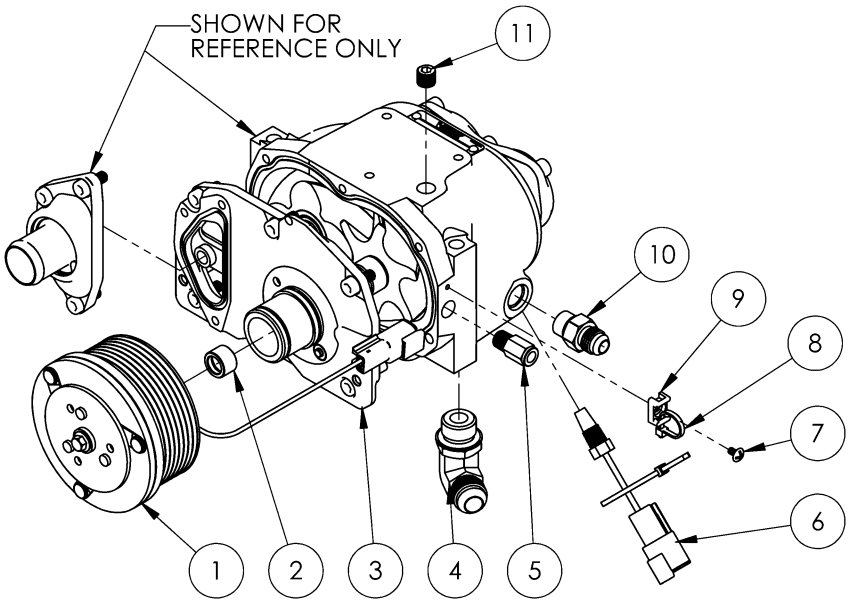


Figure 3 – Front Inlet, Vertical Discharge Compressor Assembly

VMAC – Vehicle Mounted Air Compressors

Sales: 877-912-6605

Tech: 888-241-2289

Fax: 877-740-3202

www.vmacair.com

4. WHASP Tank Assembly, 2110120

Assembly sub-components listed below

Item #	Part #	Qty	Description
1	9230072	1	ASSY, SHROUD AND DECAL
2	5400720	2	TAPE, FOAM, 1/2"
3	6000719	1	SHROUD, FAN, WHASP TANK
4	1500691	6	SCREW, SELF TAPPING, #10-16 X 1/2
5	1520590	8	BOLT, HHCS, M6 X 1.0 X 14 FL PL
6	3501708	1	FAN, PULLER, 7.5", DT
7	1200847	1	PLATE, MOUNT, BOLT ON
8	1200852	1	PLATE, MOUNT, FILTER END
9	1520601	4	BOLT, HHCS FL PL, M8 X 1.25 X 12
10	1560516	4	NUT, M6 X 1.0 FL PL
11	4900128	1	FTG, STR, #12MORB-#12MJIC
12	4300039	1	PIPE FTG, PLUG SKT HEAD, 3/8
13	3600079	1	OIL SEPARATOR, SPIN-ON
14	3600189	1	FITTING, NIPPLE, FILTER, 195MM
15	4900164	1	CAP, #12JIC, OIL FILL
16	4900260	1	FTG, 90, #12MORB-#12MJIC, VITON
17	A700061	1	PYREX WINDOW KIT
18	3200533	1	TUBE, OIL DRAIN
19	4900106	1	PLUG, #5ORB, EXTERNAL HEX, VITON
20	5830126	1	O-RING, VITON, ORB-5
21	4900175	1	FTG, STR, #6MJIC-#8MORB, VITON
22	9200039	1	OIL FILTER, VR 3.250 SHORT
23	4900035	1	NIPPLE, 3/4 -16
24	3600054	1	VALVE, SAFTEY 200PSI
25	5000189	1	ELBOW, FEMALE-MALE, 1/4NPT-1/4NPT
26	4900046	1	FTG, STR, #8MORB - #MJIC
27	5000210	1	JET, .032 ORIFICE
28	3600193	1	VALVE, CHECK, 1/8NPT, M TO F FLOW
29	5000020	1	ELBOW, BRASS NPT-POLY, 1/8-1/4
30	3600171	1	VALVE, MODIFIED (3600167)
31	4900160	1	FTG, STR, #8, MORB-1/8" FNPT
32	3501037	1	SENSOR, PRESSURE, 200PSI
33	5000185	1	BUSHING, BRASS 1/4 X 1/8
34	4500104	1	MUFFLER, SINTERED EXHAUST, 1/8"
35	3551165	1	ASSY, VALVE, SOLENOID, N.O, DTM
36	4300101	1	PIPE FITTING, NIPPLE, 1/4" X 2-1/2"

VMAC – Vehicle Mounted Air Compressors

Sales: 877-912-6605

Tech: 888-241-2289

Fax: 877-740-3202

www.vmacair.com

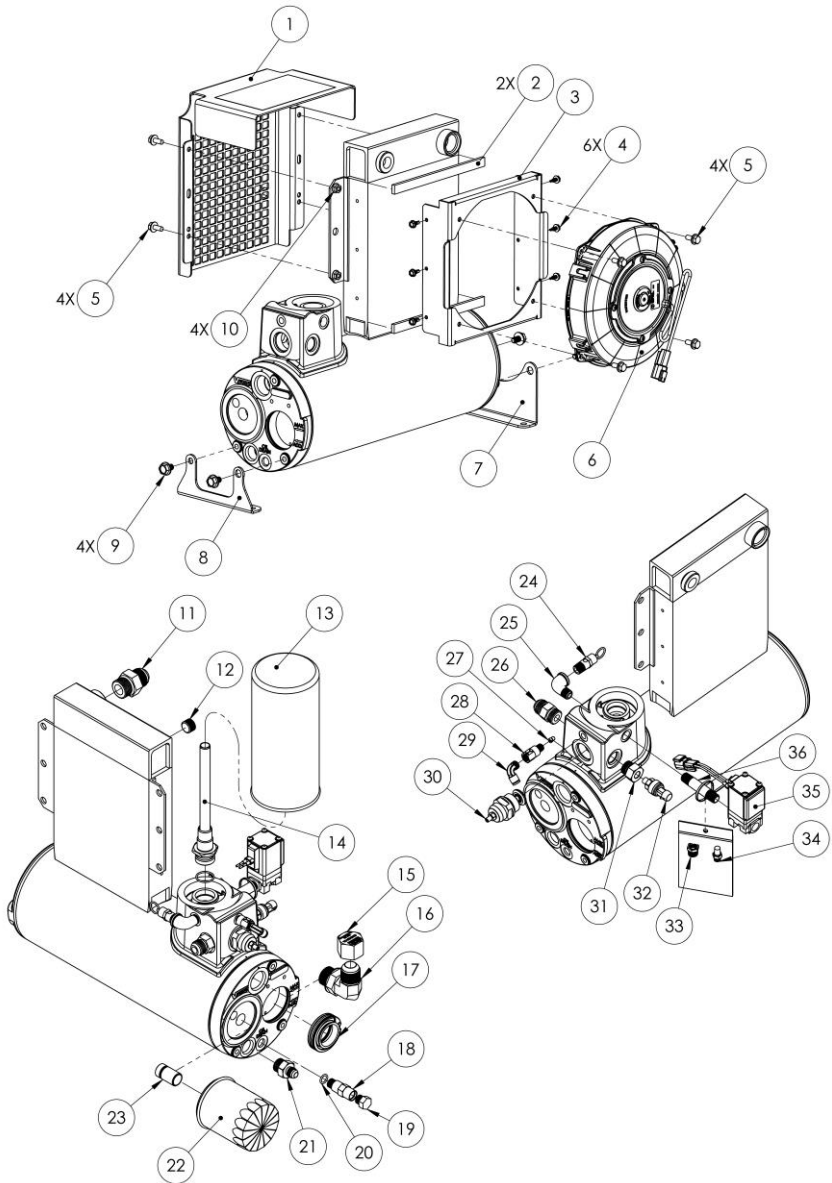


Figure 4 - WHASP Tank Assembly

VMAC – Vehicle Mounted Air Compressors

Sales: 877-912-6605

Tech: 888-241-2289

Fax: 877-740-3202

www.vmacair.com

5. Air Filter Assembly, 4800674

Assembly sub-components listed below

Item #	Part #	Qty	Description
1	3600066	1	COVER, AIR FILTER, PLASTIC
2	3600037	1	FILTER ELEMENT, PAPER
3	1500584	1	STUD, FULL THREAD, PL, M6 X 1.0 X 65
4	1540555	2	BOLT, SHCS, M6X1.0X20, GR12.9 PLT
5	1560438	3	NUT, NYLOCK, M6
6	9230016	1	WELDMENT, REMOTE AIR FILTER
7	1560523	1	NUT, JAM, PL, M6X 1.0
8	1570038	1	WASHER, FLAT SAE, 1/4

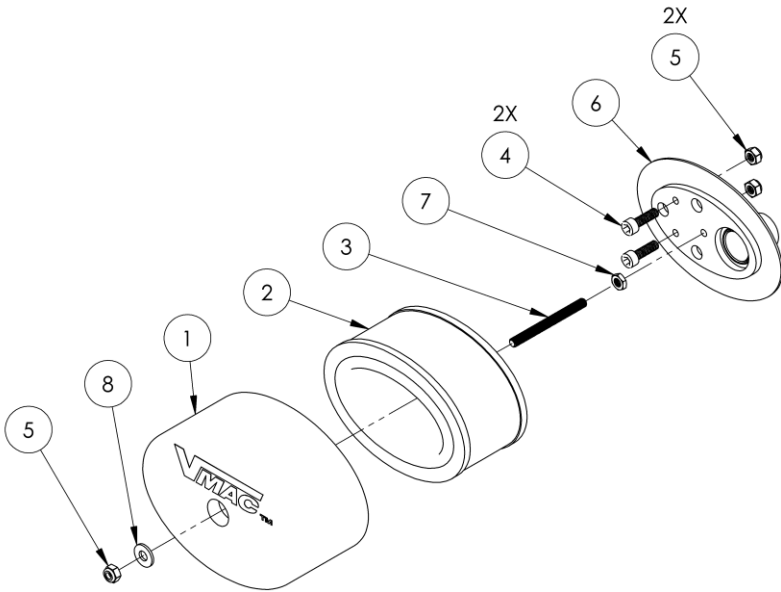


Figure 5 – Air Filter Assembly

VMAC – Vehicle Mounted Air Compressors

Sales: 877-912-6605

Tech: 888-241-2289

Fax: 877-740-3202

www.vmacair.com

6. Electrical Pack, 3810118

Item #	Part #	Qty	Description
1	3530803	1	CABLE SET, DTC, FOOT PEDAL, MX64
2	3530864	1	HARNESS, DTC, MAIN, EO
3	3530805	1	CABLE SET, DTC, OBD2
4	2200164	5	TIE, NYLON, BLACK, 8"

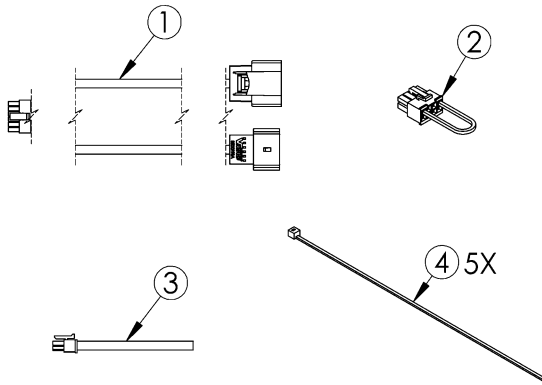


Figure 6 - Electrical Pack

VMAC – Vehicle Mounted Air Compressors

Sales: 877-912-6605

Tech: 888-241-2289

Fax: 877-740-3202

www.vmacair.com

7. Electrical Pack, 3810119

Item #	Part #	Qty	Description
1	3530856	1	HARNESS, EO, U/DTM, MAIN
2	3530857	1	HARNESS, EO, U40, FAN
3	3530858	1	HARNESS, EO, U40, PRESSURE PT2
4	3530859	1	HARNESS, EO, U, CLUTCH
5	3530860	1	HARNESS, EO, U/DTM, DISPLAY
6	3530861	1	HARNESS, EO, U/DTM, DSPLAY EXT, 10'
7	3530862	1	HARNESS, EO, U, UPFITTER INTRFACE

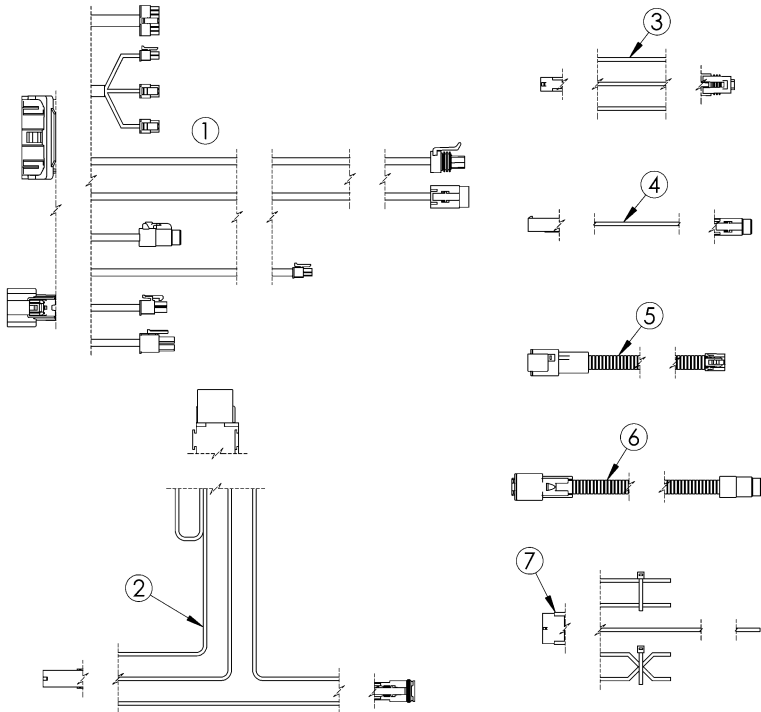


Figure 7 - Electrical Pack

VMAC – Vehicle Mounted Air Compressors

Sales: 877-912-6605

Tech: 888-241-2289

Fax: 877-740-3202

www.vmacair.com

8. Accessory Products

Parts listed below are not included with kit - Order through your VMAC dealer

Part #	Description
REGULAR SERVICE KITS	
A700263	200 HOUR SERVICE KIT - VR40 <i>Oil, air and oil filters, next service decal</i>
A700264	400 HOUR SERVICE KIT - VR40 <i>200 hour kit components + coalescing filter, safety valve, blowdown muffler</i>
INSTALLATION HELPER AND REPAIR KITS	
3801095	FASTENER PACK, BULKHEAD FTGS <i>Fittings to route #6 & #12 hoses and 1/4" PTFE tubes through bulkheads or floors</i>
A700224	ACCESSORY PACK, REMOTE MUFFLER <i>Tubing and fittings to relocate WHASP blowdown muffler through bulkheads or floors</i>
A700268	KIT, PTFE TUBE, SCAVENGE <i>Generic parts kit for scavenge tube replacement</i>
3530861	HARNESS, EO, U/DTM, DSPLAY EXT, 10' <i>Electrical extension harness for Display Box</i>
INDIVIDUAL FITTINGS	
5000158	ELBOW, BRASS 45 DEG NPT-POLY 1/8-1/4 <i>45° 1/8 MNPT – 1/4" push connect fitting</i>
5000020	ELBOW, BRASS NPT-POLY, 1/8-1/4 <i>90° 1/8 MNPT – 1/4" push connect fitting</i>
5000012	CONNECTOR, BRASS NPT-POLY, 1/8-1/4 <i>Straight 1/8 MNPT – 1/4" push connect fitting</i>
4900117	JIC 90 DEG STEEL, SWIVEL, 3/8 -3/8 <i>90° #6 MJIC - #6 FJIC swivel fitting</i>
4900043	ELBOW, STEEL JIC/JIC SWIVEL, 3/4 <i>90° #12 MJIC - #12 FJIC swivel fitting</i>
AIR HANDLING AND STORAGE	
A700007	HOSE REEL, DRESSED, 1/2 X 50 <i>Auto-retract, 1/2" ID x 50' long hose, 1/2 NPT connections</i>
A800070	AFTERCOOLER, ELIMINATOR70, 70CFM <i>Cools and dries discharge air, 12V fan, 3/4 NPT connections</i>
A700151	FILTER-REGULATOR-LUBRICATOR <i>Conditions discharge air, 3/4 NPT connections, tool oil not included</i>
A300045	TANK, AIR RECEIVER 6 GAL C/W FTGS <i>6 gal wing tank, includes fittings, safety + drain valves, 3/4 NPT ports</i>
A300047	TANK, AIR RECEIVER 10 GAL C/W FTG <i>10 gal surface mount tank, includes fittings, gauge, safety + drain valves, 3/4 NPT ports</i>
A300010	TANK, WING 35 GAL C/W FTG <i>35 gal wing tank, includes fittings, gauge, safety + drain valves, 1 1/2 NPT ports</i>

VMAC – Vehicle Mounted Air Compressors

Sales: 877-912-6605

Tech: 888-241-2289

Fax: 877-740-3202

www.vmacair.com

This page intentionally left blank

This page intentionally left blank

This page intentionally left blank

Manufactured by



888-241-2289



tech@vmacair.com



877-740-3202



warranty@vmacair.com



www.vmacair.com



kb.vmacair.com



1333 Kipp Road, Nanaimo, B.C., V9X 1R3 Canada