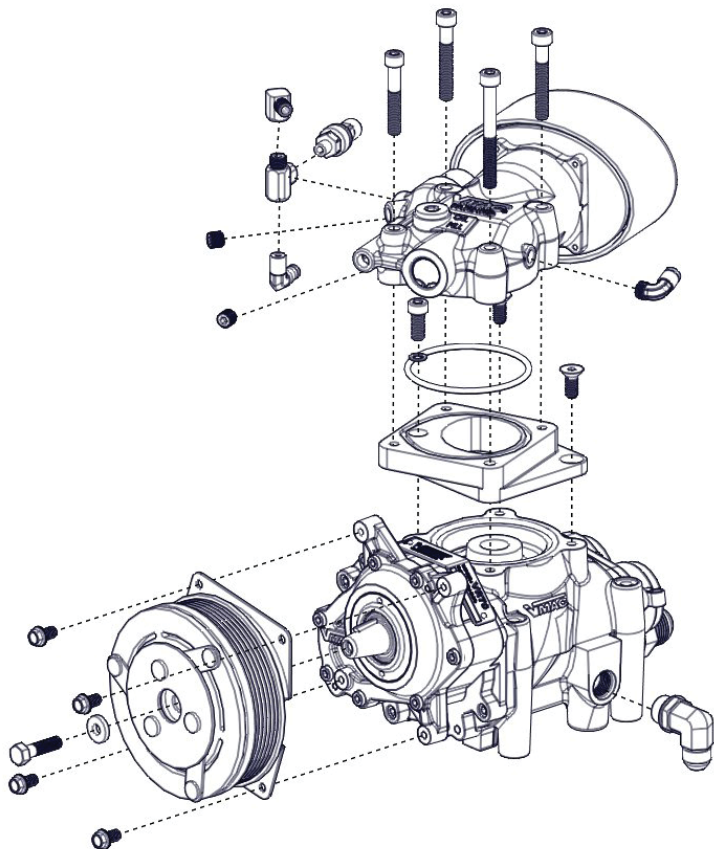


# ***UNDERHOOD*** 40<sup>®</sup> AIR COMPRESSORS



## **Illustrated Parts List for VMAC System**

**V400039**

**With Advanced Digital Controls**

2020+ Ford Transit 3.5 L EcoBoost

2020 – 2022 Ford Transit 3.5 L PFDI (Naturally Aspirated)

**[www.vmacair.com](http://www.vmacair.com)**



# Illustrated Parts List for VMAC System V40039

Ford Transit

3.5L EcoBoost (Turbocharged) 2020+

3.5L PFDI (Naturally-Aspirated) 2020-2022

1.	Kit Pack List.....	2
2.	Fastener Pack, 3801513 .....	4
3.	Horizontal Discharge Compressor, P130041 .....	7
4.	WHASP Tank Assembly, 2110120 .....	8
5.	Air Filter Assembly, 4800674 .....	10
6.	Electrical Pack, 3810118.....	11
7.	Electrical Pack, 3810119.....	12
8.	Accessory Products.....	13

NOTE: drawings are not to scale.

Document 1930512

## Changes and Revisions

Revision	Revision Details	Revised by	Checked by				Implemented
			Eng.		Tech.	Qual.	
			Mech.	Elec.			
A	ECN 24-012: ENGINEERING RELEASE	CAM	IMC	N/A	DSB	LH	18JAN2024
B	ECN 24-063: ADDED PARK BRAKE WIRE	ASE	CAM	CAB	DSB	LPH	08APR2024

### VMAC – Vehicle Mounted Air Compressors

Sales: 877-912-6605

Tech: 888-241-2289

Fax: 877-740-3202

www.vmacair.com

## 1. Kit Pack List

Item #	Part #	Qty	Description
1	P130041	1	COMP, VR40, TOP INLET, HORZ DISCH
2	1100263	1	BRACKET, MAIN, TRANSIT
3	3300042	1	TENSIONER
4	2110120	1	ASSY, WHASP TANK, U40
5	1620369	1	BELT, K040560
6	4800674	1	ASSY, REMOTE AIR FILTER
7	4800841	1	ASSY, INTAKE HOSE
8	4800709	1	ASSEMBLY, REMOTE MUFFLER
9	3560303	1	DTC, U40 TRANSIT 3.5G 2020+, HS1
10	3551095	1	DISPLAY BOX, EO, GENERIC
11	3551137	1	CONTROLLER, EO, U40
12	3810118	1	ELEC PACK, U40, MX64, EO
13	3810119	1	ELEC PACK, U40, SYS, EO
14	4800831	1	SYS ID & OP INSTR, TRANSIT
15	3801513	1	FASTENER PACK, V400039
16	A700094	1	OIL, VR, 4L, HIGH PERFORMANCE
17	1810120	1	HOSE, CRIMPED, 3/8" X 120"
18	1772120	1	HOSE, CRIMPED, 3/4" X 120"
19	1812084	1	HOSE, CRIMPED, 3/8" X 84"
20	1772096	1	HOSE, CRIMPED, 3/4" X 96"
21	1930506	1	MANUAL, OWNER, U40, ADV.DIG.CONT
22	1930511	1	MANUAL, INSTALLATION, V400039
23	1930512	1	ILLUSTRATED PARTS LIST, V400039
24	3551063	1	HARNES, TRANSIT ORANGE WIRE
25	3530867	1	HARNES, DTC, MAIN, EO, PB WIRE

### **VMAC – Vehicle Mounted Air Compressors**

Sales: 877-912-6605

Tech: 888-241-2289

Fax: 877-740-3202

[www.vmacair.com](http://www.vmacair.com)

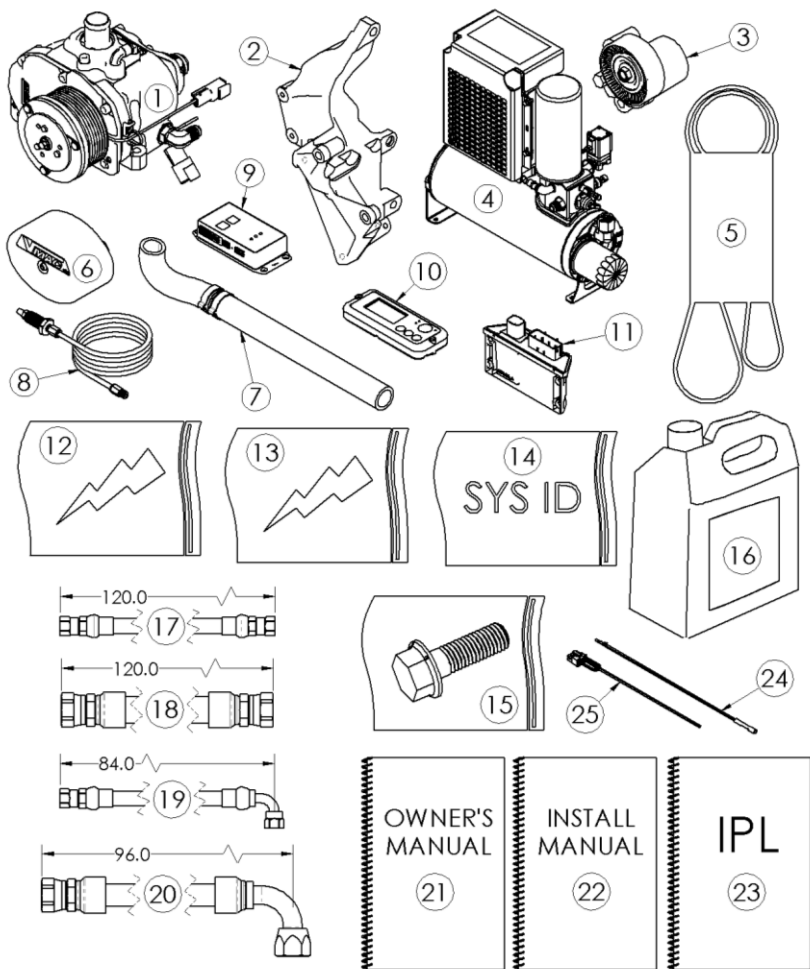


Figure 1 - Kit Pack List

**VMAC – Vehicle Mounted Air Compressors**

Sales: 877-912-6605

Tech: 888-241-2289

Fax: 877-740-3202

www.vmacair.com

## 2. Fastener Pack, 3801513

Item #	Part #	Qty	Description
1	3801469	1	FASTENER PACK, MAIN BRACKET
1.1	1520615	3	BOLT, HHCS FL, PL, GR10.9, M8 X1.25 X50
1.2	1520618	1	BOLT, HHCS FL, PL, M8 X 1.25 X 70
1.3	1520637	1	BOLT, HHCS, M8-1.25 X 35, FL PL
1.4	1520621	1	BOLT, HHCS, FLHD, M10 X 1.5 X 45
1.5	1540248	3	BOLT, SHCS, M8 X 1.25 X 35
2	3801370	1	FASTENER PACK, AIR FILTER
2.1	1201115	1	BRACKET, AIR FILTER
2.2	2200047	2	CLAMP, HOSE HS16
2.3	1201119	1	BRACKET, AIR FILTER
2.4	1560529	2	NUT, PL, M5 X 0.8
3	3801095	1	FASTENER PACK, BULKHEAD FTGS
3.1	4900209	1	FTG, STR, #6MJIC-#6MJIC, BLKHD
3.2	4900170	1	FTG, STR, #12MJIC-#12MJIC, BLKHD
3.3	5000178	1	CONNECTOR, BRASS BULKHEAD, 1/8
3.4	5000158	2	ELBOW, BRASS 45 DEG NPT-POLY 1/8-1/4
4	3801241	1	FASTENER PACK, HOSE ROUTING
4.1	2200147	5	CLAMP, C R.I., 2"
4.2	1540526	2	BOLT, SHCS, M8 X 1.25 X 20, GR12.9
4.3	1560407	2	NUT, NYLOCK, M8
4.4	1500120	2	SCREW, TAP + DRILL, 14-3/4
4.5	1540549	1	BOLT, SHCS, M6 X 1 X 18, PLATED, G12.9
4.6	1560516	1	NUT, M6 X 1.0 FL PL
4.7	1570038	1	WASHER, FLAT SAE, 1/4
4.8	1500139	1	SCREW, SHEET METAL SLOTTED,5/16X3/4
5	3801371	1	FASTENER PACK, TEFLON HOSE
5.1	1700570	125.0	TUBE, TEFLON, PTFE,1/4"OD
5.2	1700581	123.0	LOOM, SPLIT PLASTIC, 1/4, HIGH TEMP
5.3	1700570	108.0	TUBE, TEFLON, PTFE,1/4"OD
5.4	1700581	106.0	LOOM, SPLIT PLASTIC, 1/4, HIGH TEMP
5.5	2200039	20	TIE, NYLON MD, 7"

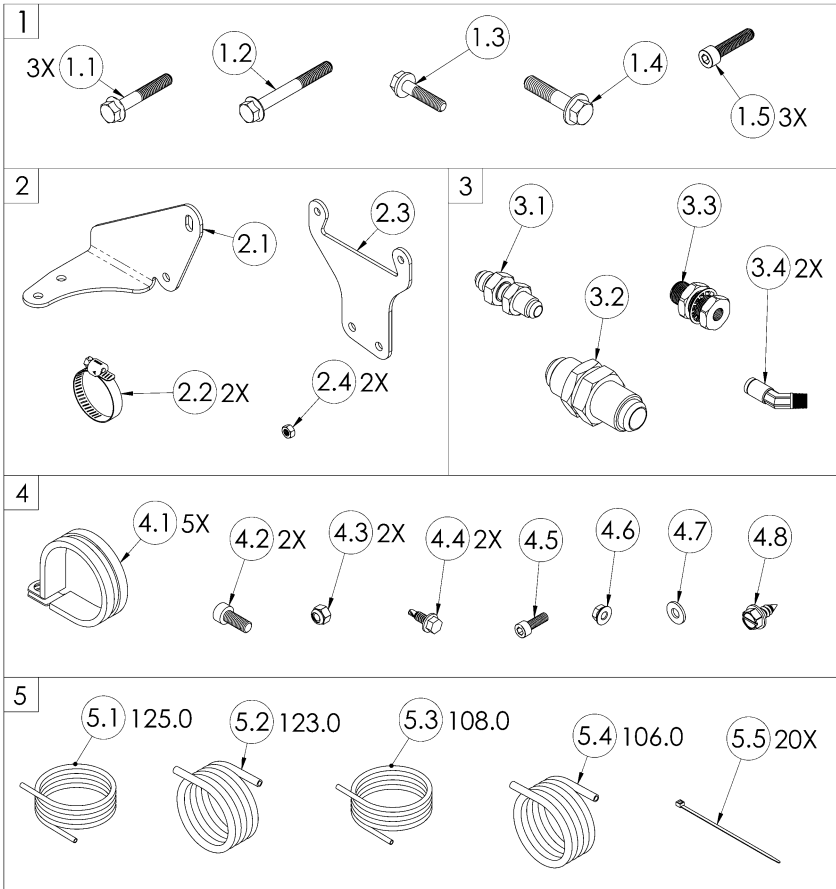
### VMAC – Vehicle Mounted Air Compressors

Sales: 877-912-6605

Tech: 888-241-2289

Fax: 877-740-3202

[www.vmacair.com](http://www.vmacair.com)



**Figure 2 - Fastener Pack**

**VMAC – Vehicle Mounted Air Compressors**

Sales: 877-912-6605

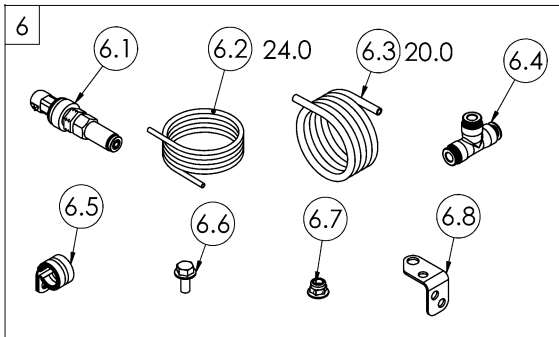
Tech: 888-241-2289

Fax: 877-740-3202

www.vmacair.com

### Fastener Pack, 3801513 (Cont'd)

Item #	Part #	Qty	Description
6	3801507	1	FAST PACK, BLOWDOWN SENSOR, W/BRKT
6.1	4800890	1	ASSY, PRESS SENSOR, 200PSI, 1/4 DOT
6.2	1700570	24.0	TUBE, TEFLON, PTFE, 1/4"OD
6.3	1700581	20.0	LOOM, SPLIT PLASTIC, 1/4, HIGH TEMP
6.4	5000218	1	FITTING, UNION TEE, 1/4" POLY
6.5	2200178	1	CLAMP, 5/8, CUSHION
6.6	1520590	1	BOLT, HHCS, M6 X 1.0 X 14 FL PL
6.7	1560537	1	NUT, NYLOCK, M6 X 1.0, FL PL
6.8	1201201	1	BRACKET, FOOT MOUNT, VR40



**Figure 3 - Fastener Pack (Cont'd)**

**VMAC – Vehicle Mounted Air Compressors**

Sales: 877-912-6605

Tech: 888-241-2289

Fax: 877-740-3202

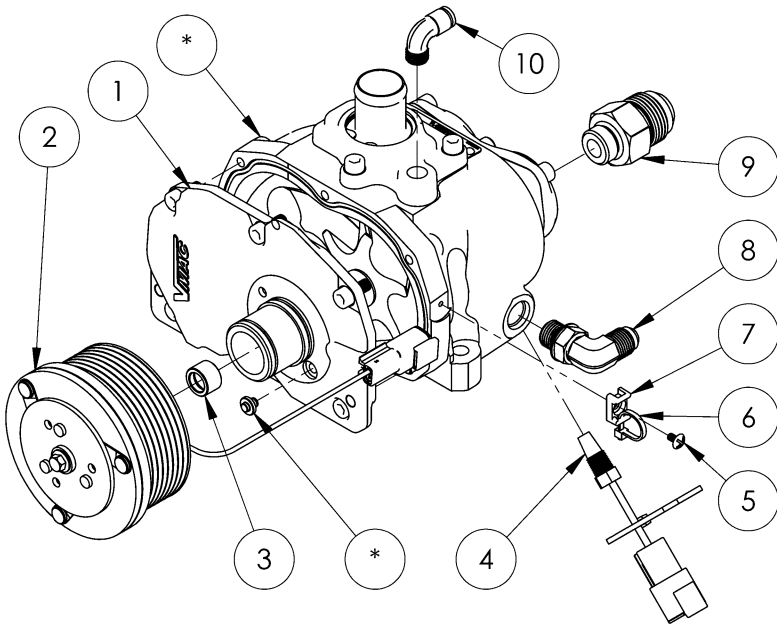
[www.vmacair.com](http://www.vmacair.com)



### 3. Horizontal Discharge Compressor, P130041

Assembly sub-components listed below

Item #	Part #	Qty	Description
1	A700347	1	KIT, VR40 FRT COVER, TOP IN, EO
2	A700346	1	REPLACEMENT CLUTCH, 85MM, W/CONN
3	9230071	1	SPACER, INPUT SHAFT, VR40
4	3551143	1	PROBE, ASSY, THERMISTOR, DTM/ATM
5	1500623	1	SCREW, PT HD, PL F-THRD 6-32 X 1/4"
6	2200164	1	TIE, NYLON, BLACK, 8"
7	2200250	1	TIE MOUNT, HEAT STABILIZED NYLON
8	4900176	1	FTG, 90, #6MORB-#6MJIC, VITON
9	4900226	1	FTG, STR, #12MJIC-#8MORB, VITON
10	5000020	1	ELBOW, BRASS NPT-POLY, 1/8-1/4



\* - SHOWN FOR REFERENCE ONLY

**Figure 4 - Horizontal Discharge Compressor Assembly**

#### VMAC – Vehicle Mounted Air Compressors

Sales: 877-912-6605

Tech: 888-241-2289

Fax: 877-740-3202

www.vmacair.com

#### 4. WHASP Tank Assembly, 2110120

Assembly sub-components listed below

Item #	Part #	Qty	Description
1	9230072	1	ASSY, SHROUD AND DECAL
2	5400720	2	TAPE, FOAM, 1/2"
3	6000719	1	SHROUD, FAN, WHASP TANK
4	1500691	6	SCREW, SELF TAPPING, #10-16 X 1/2
5	1520590	8	BOLT, HHCS, M6 X 1.0 X 14 FL PL
6	3501708	1	FAN, PULLER, 7.5", DT
7	1200847	1	PLATE, MOUNT, BOLT ON
8	1200852	1	PLATE, MOUNT, FILTER END
9	1520601	4	BOLT, HHCS FL PL, M8 X 1.25 X 12
10	1560516	4	NUT, M6 X 1.0 FL PL
11	4900128	1	FTG, STR, #12MORB-#12MJIC
12	4300039	1	PIPE FTG, PLUG SKT HEAD, 3/8
13	3600079	1	OIL SEPARATOR, SPIN-ON
14	3600189	1	FITTING, NIPPLE, FILTER, 195MM
15	4900164	1	CAP, #12JIC, OIL FILL
16	4900260	1	FTG, 90, #12MORB-#12MJIC, VITON
17	A700061	1	PYREX WINDOW KIT
18	3200533	1	TUBE, OIL DRAIN
19	4900106	1	PLUG, #5ORB, EXTERNAL HEX, VITON
20	5830126	1	O-RING, VITON, ORB-5
21	4900175	1	FTG, STR, #6MJIC-#8MORB, VITON
22	9200039	1	OIL FILTER, VR 3.250 SHORT
22	4900035	1	NIPPLE, 3/4 -16
24	3600054	1	VALVE, SAFTEY 200PSI
25	5000189	1	ELBOW, FEMALE-MALE, 1/4NPT-1/4NPT
26	4900046	1	FTG, STR, #8MORB - #MJIC
27	5000210	1	JET, .032 ORIFICE
28	3600193	1	VALVE, CHECK, 1/8NPT, M TO F FLOW
29	5000020	1	ELBOW, BRASS NPT-POLY, 1/8-1/4
30	3600171	1	VALVE, MODIFIED (3600167)
31	4900160	1	FTG, STR, #8, MORB-1/8" FNPT
32	3501037	1	SENSOR, PRESSURE, 200PSI
33	5000185	1	BUSHING, BRASS 1/4 X 1/8
34	4500104	1	MUFFLER, SINTERED EXHAUST, 1/8"
35	3551165	1	ASSY, VALVE, SOLENOID, N.O, DTM
36	4300101	1	PIPE FITTING, NIPPLE, 1/4" X 2-1/2"

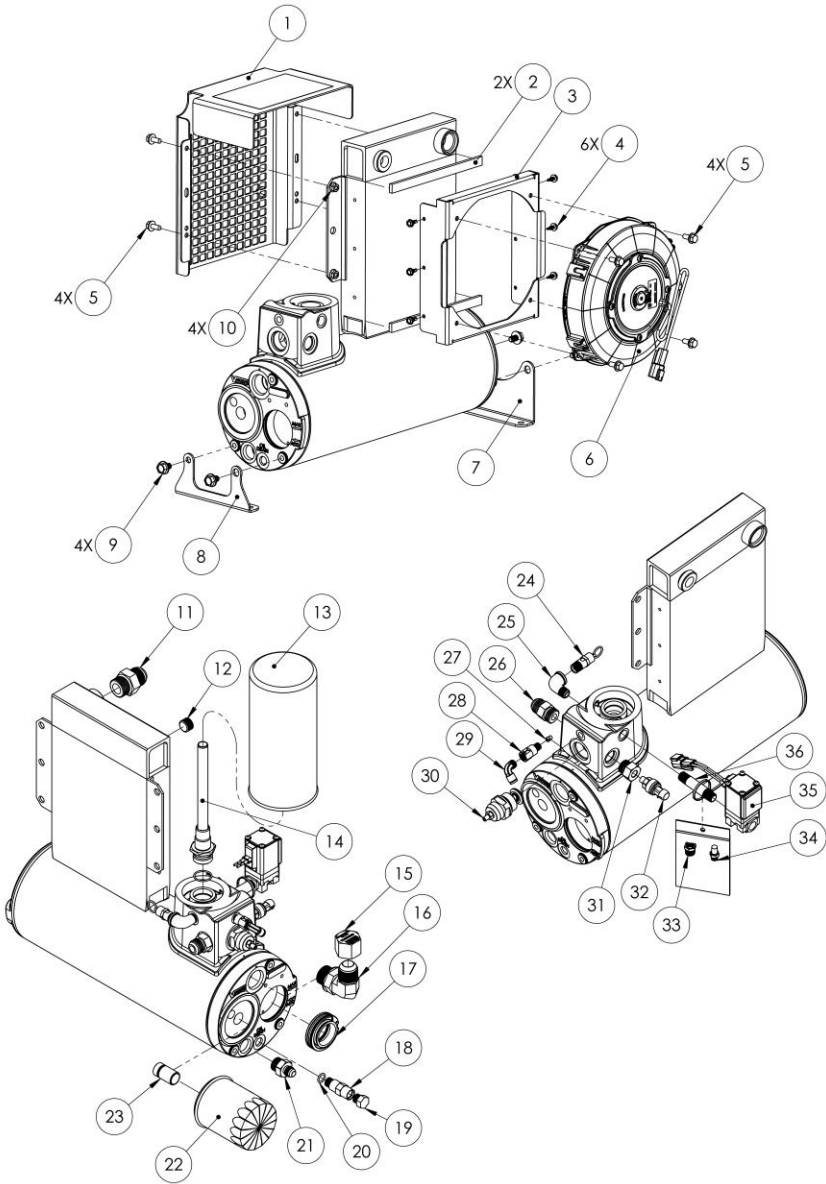
#### VMAC – Vehicle Mounted Air Compressors

Sales: 877-912-6605

Tech: 888-241-2289

Fax: 877-740-3202

www.vmacair.com



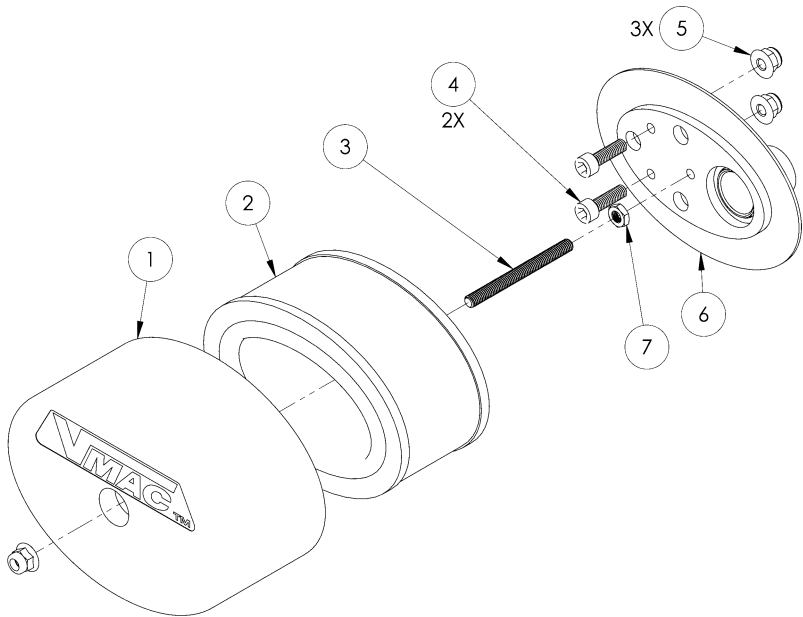
**Figure 5 - WHASP Tank Assembly**

**VMAC – Vehicle Mounted Air Compressors**  
 Sales: 877-912-6605  
 Tech: 888-241-2289  
 Fax: 877-740-3202  
 www.vmacair.com

## 5. Air Filter Assembly, 4800674

Assembly sub-components listed below

Item #	Part #	Qty	Description
1	3600066	1	COVER, AIR FILTER, PLASTIC
2	3600037	1	FILTER ELEMENT, PAPER
3	1500584	1	STUD, FULL THREAD, PL, M6 X 1.0 X 65
4	1540555	2	BOLT, SHCS, M6X1.0X20, GR12.9 PLT
5	1560537	3	NUT, NYLOCK, M6 X 1.0, FL PL
6	9230016	1	WELDMNT, REMOTE AIR FILTER
7	1560523	1	NUT, JAM, PL, M6X 1.0



**Figure 6 - Air Filter Assembly**

**VMAC – Vehicle Mounted Air Compressors**

Sales: 877-912-6605

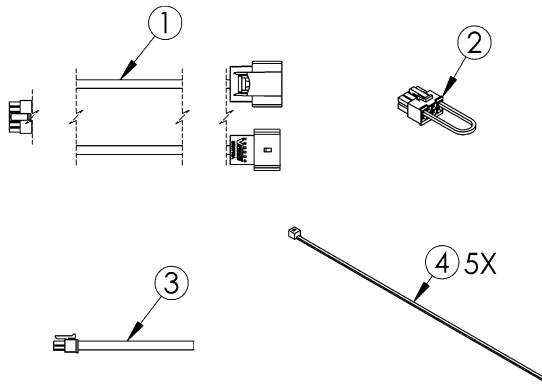
Tech: 888-241-2289

Fax: 877-740-3202

[www.vmacair.com](http://www.vmacair.com)

## 6. Electrical Pack, 3810118

Item #	Part #	Qty	Description
1	3530803	1	CABLE SET, DTC, FOOT PEDAL, MX64
2	3530864	1	HARNESS, DTC, MAIN, EO
3	3530805	1	CABLE SET, DTC, OBD2
4	2200164	5	TIE, NYLON, BLACK, 8"



**Figure 7 - Electrical Pack**

**VMAC – Vehicle Mounted Air Compressors**

Sales: 877-912-6605

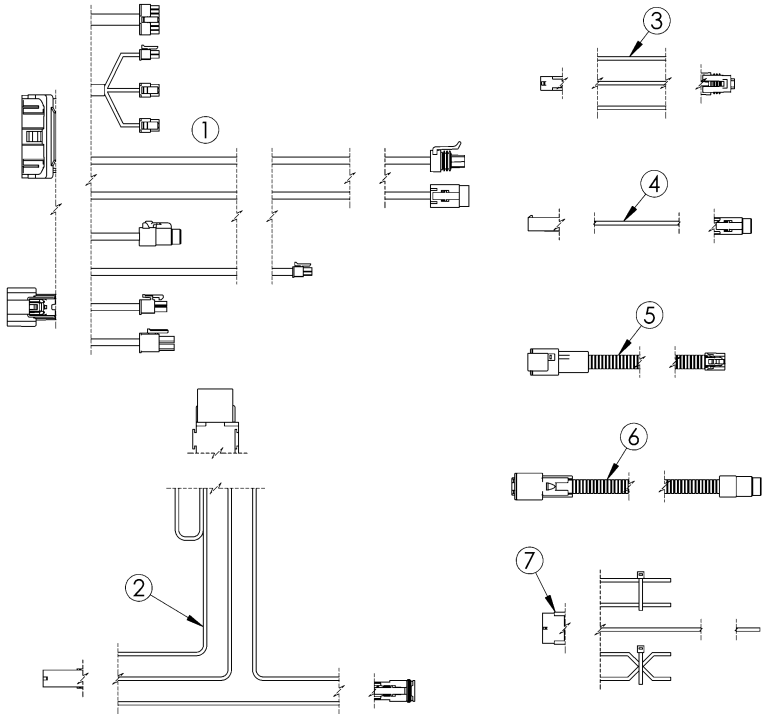
Tech: 888-241-2289

Fax: 877-740-3202

www.vmacair.com

## 7. Electrical Pack, 3810119

Item #	Part #	Qty	Description
1	3530856	1	HARNESS, EO, U/DTM, MAIN
2	3530857	1	HARNESS, EO, U40, FAN
3	3530858	1	HARNESS, EO, U40, PRESSURE PT2
4	3530859	1	HARNESS, EO, U, CLUTCH
5	3530860	1	HARNESS, EO, U/DTM, DISPLAY
6	3530861	1	HARNESS, EO, U/DTM, DSPLAY EXT, 10'
7	3530862	1	HARNESS, EO, U, UPFITTER INTRFACE



**Figure 8 - Electrical Pack**

**VMAC – Vehicle Mounted Air Compressors**

Sales: 877-912-6605

Tech: 888-241-2289

Fax: 877-740-3202

[www.vmacair.com](http://www.vmacair.com)

## 8. Accessory Products

Parts listed below are not included with kit - Order through your VMAC dealer

Part #	Description
<b>REGULAR SERVICE KITS</b>	
A700263	200 HOUR SERVICE KIT - VR40 <i>Oil, air and oil filters, next service decal</i>
A700264	400 HOUR SERVICE KIT - VR40 <i>200 hour kit components + coalescing filter, safety valve, blowdown muffler</i>
<b>INSTALLATION HELPER AND REPAIR KITS</b>	
3801095	FASTENER PACK, BULKHEAD FTGS <i>Fittings to route #6 &amp; #12 hoses and 1/4" PTFE tubes through bulkheads or floors</i>
A700224	ACCESSORY PACK, REMOTE MUFFLER <i>Tubing and fittings to relocate WHASP blowdown muffler through bulkheads or floors</i>
A700268	KIT, PTFE TUBE, SCAVENGE <i>Generic parts kit for scavenge tube replacement</i>
3530861	HARNESS, EO, U/DTM, DSPLAY EXT, 10' <i>Electrical extension harness for Display Box</i>
<b>INDIVIDUAL FITTINGS</b>	
5000158	ELBOW, BRASS 45 DEG NPT-POLY 1/8-1/4 <i>45° 1/8 MNPT – 1/4" push connect fitting</i>
5000020	ELBOW, BRASS NPT-POLY, 1/8-1/4 <i>90° 1/8 MNPT – 1/4" push connect fitting</i>
5000012	CONNECTOR, BRASS NPT-POLY, 1/8-1/4 <i>Straight 1/8 MNPT – 1/4" push connect fitting</i>
4900117	JIC 90 DEG STEEL, SWIVEL, 3/8 -3/8 <i>90° #6 MJIC - #6 FJIC swivel fitting</i>
4900043	ELBOW, STEEL JIC/JIC SWIVEL, 3/4 <i>90° #12 MJIC - #12 FJIC swivel fitting</i>
<b>AIR HANDLING AND STORAGE</b>	
A700007	HOSE REEL, DRESSED, 1/2 X 50 <i>Auto-retract, 1/2" ID x 50' long hose, 1/2 NPT connections</i>
A800070	AFTERCOOLER, ELIMINATOR70, 70CFM <i>Cools and dries discharge air, 12V fan, 3/4 NPT connections</i>
A700151	FILTER-REGULATOR-LUBRICATOR <i>Conditions discharge air, 3/4 NPT connections, tool oil not included</i>
A300045	TANK, AIR RECEIVER 6 GAL C/W FTGS <i>6 gal wing tank, includes fittings, safety + drain valves, 3/4 NPT ports</i>
A300047	TANK, AIR RECEIVER 10 GAL C/W FTG <i>10 gal surface mount tank, includes fittings, gauge, safety + drain valves, 3/4 NPT ports</i>
A300010	TANK, WING 35 GAL C/W FTG <i>35 gal wing tank, includes fittings, gauge, safety + drain valves, 1 1/2 NPT ports</i>

### VMAC – Vehicle Mounted Air Compressors

Sales: 877-912-6605

Tech: 888-241-2289

Fax: 877-740-3202

www.vmacair.com

**This page intentionally left blank**



**This page intentionally left blank**

**This page intentionally left blank**



Manufactured by



888-241-2289



tech@vmacair.com



877-740-3202



warranty@vmacair.com



www.vmacair.com



kb.vmacair.com



1333 Kipp Road, Nanaimo, B.C., V9X 1R3 Canada