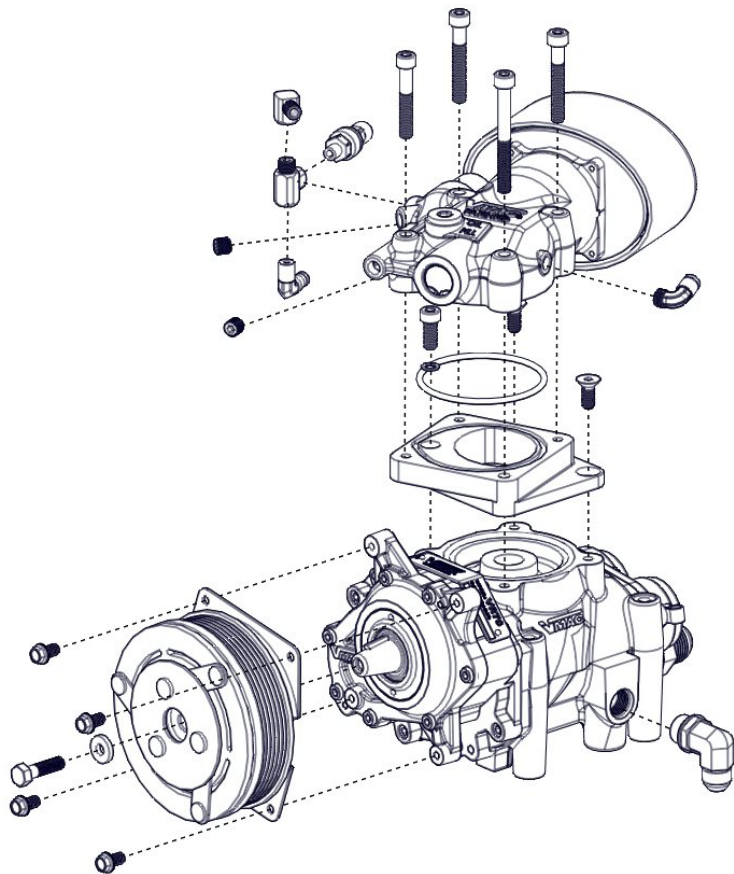


UNDERHOOD[™] **40**

AIR COMPRESSORS



Illustrated Parts List for VMAC System

V400031

**2020 – 2022 Ford F-250 – F-600 Super Duty®
7.3 L Gas V8**

www.vmacair.com

Illustrated Parts List for VMAC System V40031

VR40, 2020 – 2022 Ford F-250 – F600 Super Duty 7.3L Gas V8

1.	Kit Pack List.....	2
2.	Fastener Pack, 3801452	4
3.	Horizontal Discharge Compressor, P130035.....	6
4.	Main Bracket Assembly, 4800861.....	7
5.	WHASP Tank Assembly, 9230074	8
6.	Air Filter Assembly, 4800674	10
7.	Electrical Pack, 3810108.....	11
8.	Electrical Pack, 3810109.....	12
9.	Accessory Products.....	13

NOTE: drawings are not to scale.

Document 1930450

Changes and Revisions

Revision	Revision Details	Revised by	Checked by					Implemented
			Eng.		Tech.	Qual.		
			Mech.	Elec.				
B	ECN 21-107: CONFIRMATION UPDATE	KRM	CAM	N/A	DB	LH	17/MAY/2021	
C	ECN 22-060: FITTING UPDATE	TIK	GJM	N/A	RB	LEH	11/AUG/2022	
D	ECN: 23-082 Cap model year	MSP	N/A	N/A	MSP	N/A	17 Apr. 2023	

VMAC – Vehicle Mounted Air Compressors

Sales: 877-912-6605

Tech: 888-241-2289

Fax: 877-740-3202

www.vmacair.com

1. Kit Pack List

Item #	Part #	Qty	Description
1	P130035	1	COMP, VR40 LC, TOP INLET, H DISCH
2	4800861	1	ASSY, MAIN BKT, VR40, FORD 7.3G
3	9230074	1	ASSY, MAIN, WHASP TANK
4	1610362	1	BELT, 6 RIB, K061010
5	4800674	1	ASSY, REMOTE AIR FILTER
6	4800766	1	ASSY, INTAKE HOSE
7	3560281	1	VR DTC, U40 FORD 7.3G 2020+
8	3550986	1	INTERFACE PANEL, VR40
9	3550987	1	CONTROL MODULE, VR40
10	3810108	1	ELEC PACK, U40, CONTROL, INTRLCK
11	3810109	1	ELEC PACK, U40, MX64 PEDAL, INTRLCK
12	4800865	1	SYS ID & OP INSTR, FORD 7.3 GAS
13	3801452	1	FASTENER PACK, VR40, FORD 7.3 GAS
14	A700094	1	OIL, VR, 4L, HIGH PERFORMANCE
15	1812170	1	HOSE, CRIMPED, 3/8" X 170"
16	1771170	1	HOSE, CRIMPED, 3/4" X 170"
17	1930335	1	MANUAL, OWNERS, VR40
18	1930449	1	MANUAL, INSTALLATION, V400031
19	1930450	1	ILLUSTRATED PARTS LIST, V400031

VMAC – Vehicle Mounted Air Compressors

Sales: 877-912-6605

Tech: 888-241-2289

Fax: 877-740-3202

www.vmacair.com

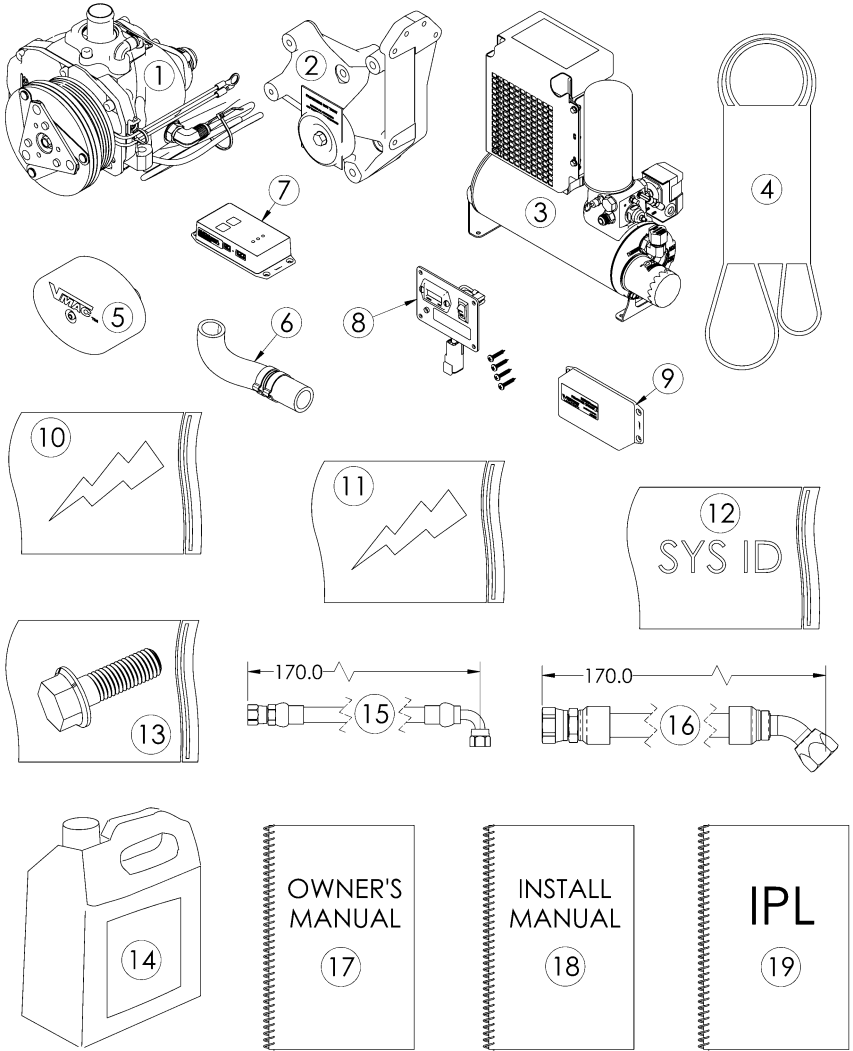


Figure 1 - Kit Pack List

VMAC – Vehicle Mounted Air Compressors

Sales: 877-912-6605

Tech: 888-241-2289

Fax: 877-740-3202

www.vmacair.com

2. Fastener Pack, 3801452

Item #	Part #	Qty	Description
1	3801450	1	FASTENER PACK, MAIN BRACKET
1.1	1520116	1	BOLT, HHCS G10.9, M10 X 1.5 X 100
1.2	1570044	1	WASHER, ALLOY PL SAE, 3/8
1.3	1540248	3	BOLT, SHCS, M8 X 1.25 X 35
1.4	3501244	1.75	HEATSHRINK, DUAL WALL, 3/4", RED
1.5	1700605	4.0	WRAP, HEAT PROTECTION, 1/2"
1.6	1700647	2.0	WRAP, HEAT PROTECTION, 3/4"
2	3801451	1	FASTENER PACK, AIR FILTER
2.1	1201175	1	BRACKET, AIR FILTER
2.2	2200047	2	CLAMP, HOSE HS16
2.3	1520627	2	BOLT, HHCS, FL PL, M8 X 1.25 X 20
3	3801103	1	FASTENER PACK, TEFLON HOSE
3.1	1700570	180.0	TUBE, TEFLON, PTFE, 1/4"OD
3.2	1700581	178.0	LOOM, SPLIT PLASTIC, 1/4, HIGH TEMP
3.3	2200039	20	TIE, NYLON MD, 7"
4	3801462	1	FASTENER PACK, HOSE ROUTING
4.1	1201146	3	BRACKET, HOSE ROUTING
4.2	2200261	4	CLAMP, STRAP, 1-1/8"
4.3	1560537	1	NUT, NYLOCK, M6 X 1.0, FL PL
4.4	1520627	3	BOLT, HHCS, FL PL, M8 X 1.25 X 20
4.5	1560538	3	NUT, NYLOCK, M8 X 1.25, FL PL
4.6	2200018	20	TIE, NYLON MD, 11
5	3801461	1	FASTENER PACK, CLUTCH INTERLOCK
5.1	4800867	1	ASSY, SWITCH, PRESSURE
5.2	1700570	24.0	TUBE, TEFLON, PTFE, 1/4"OD
5.3	1700581	20.0	LOOM, SPLIT PLASTIC, 1/4, HIGH TEMP
5.4	5000218	1	FITTING, UNION TEE, 1/4" POLY
5.5	2200178	1	CLAMP, 5/8, CUSHION
5.6	1520590	1	BOLT, HHCS, M6 X 1.0 X 14 FL PL
5.7	1560537	1	NUT, NYLOCK, M6 X 1.0, FL PL

VMAC – Vehicle Mounted Air Compressors

Sales: 877-912-6605

Tech: 888-241-2289

Fax: 877-740-3202

www.vmacair.com

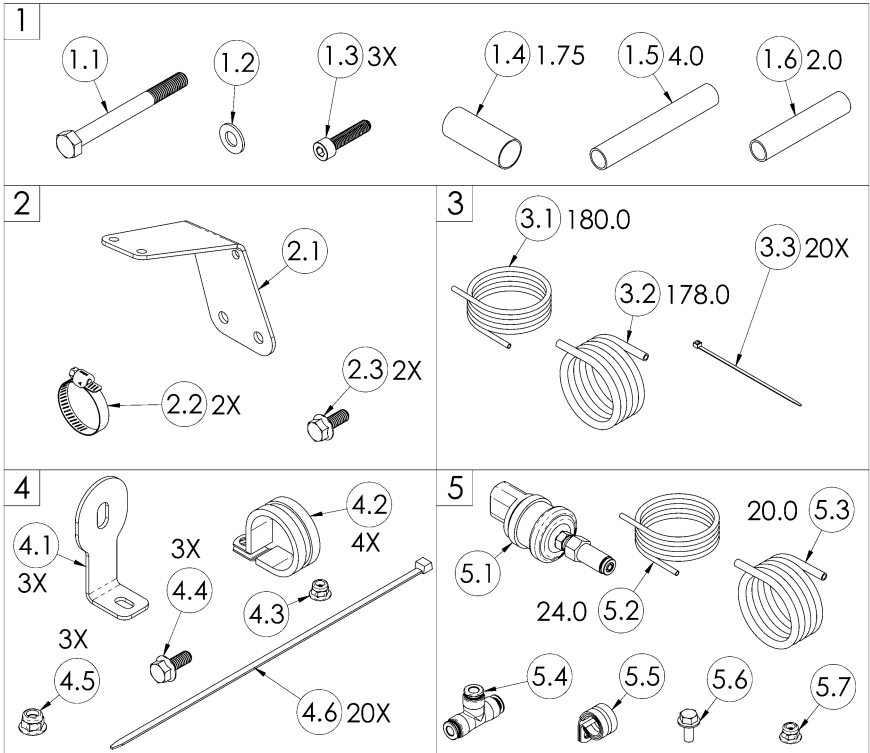


Figure 2 - Fastener Pack

VMAC – Vehicle Mounted Air Compressors

Sales: 877-912-6605

Tech: 888-241-2289

Fax: 877-740-3202

www.vmacair.com

3. Horizontal Discharge Compressor, P130035

Assembly sub-components listed below

Item #	Part #	Qty	Description
1	A700311	1	REPLACEMENT CLUTCH, 100MM, VR40
2	1400440	1	SPACER, INPUT SHAFT, LRG SPLN VR40
3	3550682	1	PROBE, ASSY, THERMISTOR, SHORT
4	4900226	1	FTG, STR, #12MJIC-#8MORB, VITON
5	5000020	1	ELBOW, BRASS NPT-POLY, 1/8-1/4
6	4900176	1	FTG, 90, #6MORB-#6MJIC, VITON
7	1500623	1	SCREW,PT HD,PL F-THRD 6-32 X 1/4"
8	2200164	1	TIE, NYLON, BLACK, 8"
9	2200250	1	TIE MOUNT, HEAT STABILIZED NYLON

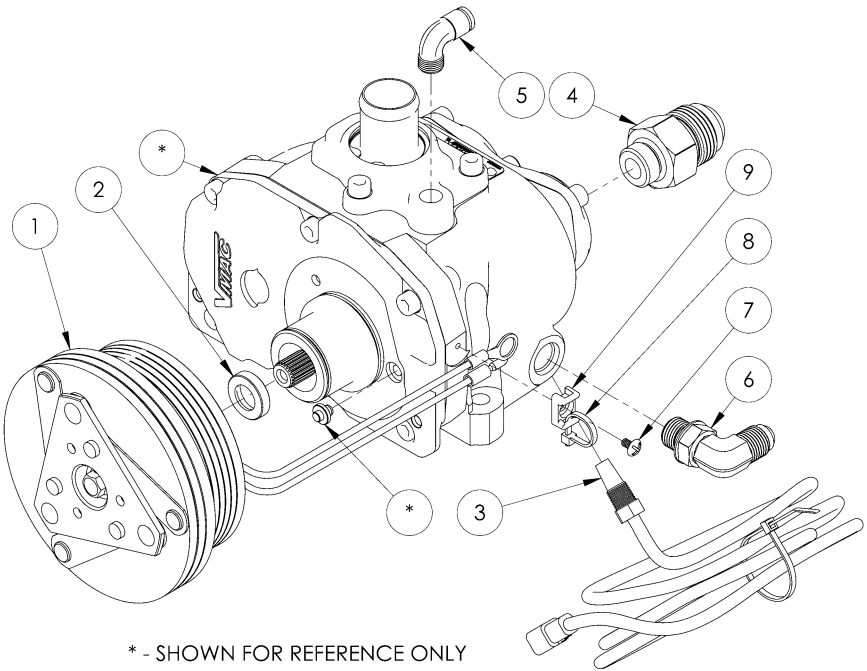


Figure 3 - Horizontal Discharge Compressor Assembly

VMAC – Vehicle Mounted Air Compressors

Sales: 877-912-6605

Tech: 888-241-2289

Fax: 877-740-3202

www.vmacair.com

4. Main Bracket Assembly, 4800861

Assembly sub-components listed below

Item #	Part #	Qty	Description
1	1100254	1	BRACKET, MAIN, VR40, FORD 7.3G
2	1300040	1	IDLER, SERP, 6-RIB BACK, 76MM
3	1570496	1	WASHER, FENDER, 10MM X 30MM
4	1520563	1	BOLT, HHCS FLPL G8.8 M10 X1.50 X 25

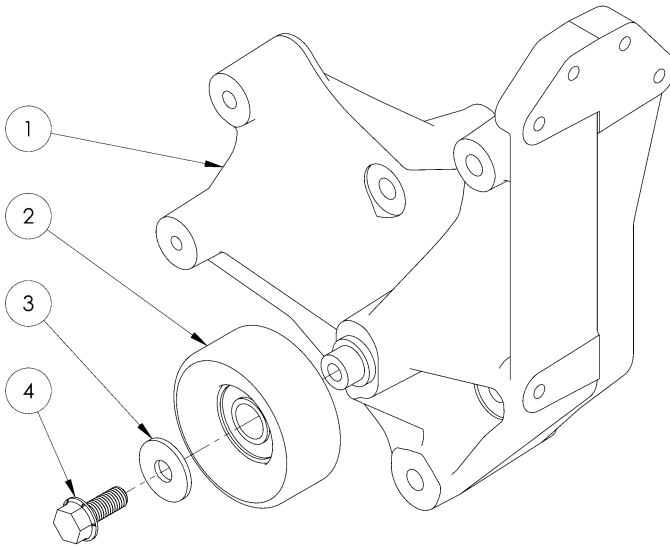


Figure 4 - Main Bracket Assembly

VMAC – Vehicle Mounted Air Compressors

Sales: 877-912-6605

Tech: 888-241-2289

Fax: 877-740-3202

www.vmacair.com

5. WHASP Tank Assembly, 9230074

Assembly sub-components listed below

Item #	Part #	Qty	Description
1	9230072	1	ASSY, SHROUD AND DECAL
2	3600079	1	OIL SEPARATOR, SPIN-ON
3	9200039	1	OIL FILTER, VR 3.250 SHORT
4	4900164	1	CAP, #12JIC, MOD
5	3501294	1	SWITCH, PRESSURE, 50-175PSI
6	4300039	1	PIPE FTG, PLUG SKT HEAD, 3/8
7	4500104	1	MUFFLER, SINTERED EXHAUST, 1/8"
8	3600171	1	VALVE, MODIFIED (3600167)
9	4900106	1	PLUG, #5ORB, EXTERNAL HEX, VITON
10	3600054	1	VALVE, SAFETY 200 PSI
11	A700061	1	PYREX WINDOW KIT
12	4900175	1	FTG, STR, #6MJIC-#8MORB, VITON
13	1200852	1	PLATE, MOUNT, FILTER END
14	1200847	1	PLATE, MOUNT, BOLT ON
15	1520601	4	BOLT, HHCS FL PL, M8 X 1.25 X 12
16	6000719	1	SHROUD, FAN, WHASP TANK
17	3501290	1	FAN, PULLER, 7.5"
18	4900128	1	FTG, STR, #12MORB-#12MJIC, VITON
19	5000140	1	ELBOW, BRASS, FORGED, 90DEG, 1/8 PIPE
20	3600123	1	VALVE, CHECK, 1/8 NPT
21	5000212	1	CONNECTOR, BRASS, FNPT-POLY, 1/8-1/4
22	1520590	8	BOLT, HHCS, M6 X 1.0 X 14 FL PL
23	1560516	4	NUT, M6 X 1.0 FL PL
24	4900260	1	FTG, 90, #12MORB-#12MJIC, VITON
25	4900046	1	FTG, STR, #8MORB-#8MJIC

VMAC – Vehicle Mounted Air Compressors

Sales: 877-912-6605

Tech: 888-241-2289

Fax: 877-740-3202

www.vmacair.com

6. Air Filter Assembly, 4800674

Assembly sub-components listed below

Item #	Part #	Qty	Description
1	3600066	1	COVER, AIR FILTER, PLASTIC
2	3600037	1	FILTER ELEMENT, PAPER
3	1500584	1	STUD, FULL THREAD, PL, M6 X 1.0 X 65
4	1540555	2	BOLT, SHCS, M6X1.0X20, GR12.9 PLT
5	1560537	3	NUT, NYLOCK, M6 X 1.0, FL PL
6	9230016	1	WELDMENT, REMOTE AIR FILTER
7	1560523	1	NUT, JAM, PL, M6X 1.0

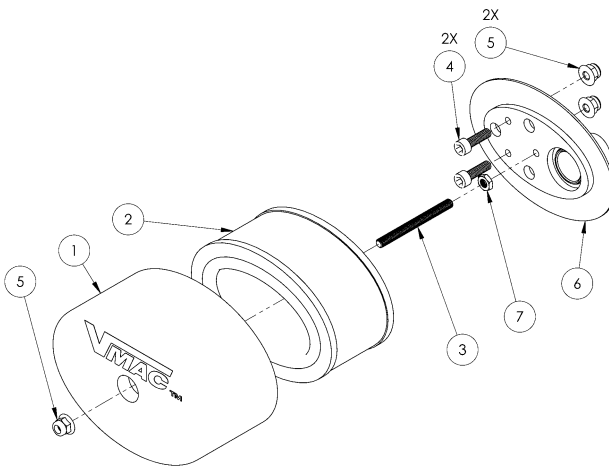


Figure 6 - Air Filter Assembly

VMAC – Vehicle Mounted Air Compressors

Sales: 877-912-6605

Tech: 888-241-2289

Fax: 877-740-3202

www.vmacair.com

7. Electrical Pack, 3810108

Item #	Part #	Qty	Description
1	3550985	1	HARNESS, VR40 CONTROL
2	3551088	1	HARNESS, VR40 RELAY POWER
3	3551089	1	HARNESS, VR40 PRESSURE
4	3550990	1	HARNESS, VR40 TEMPERATURE

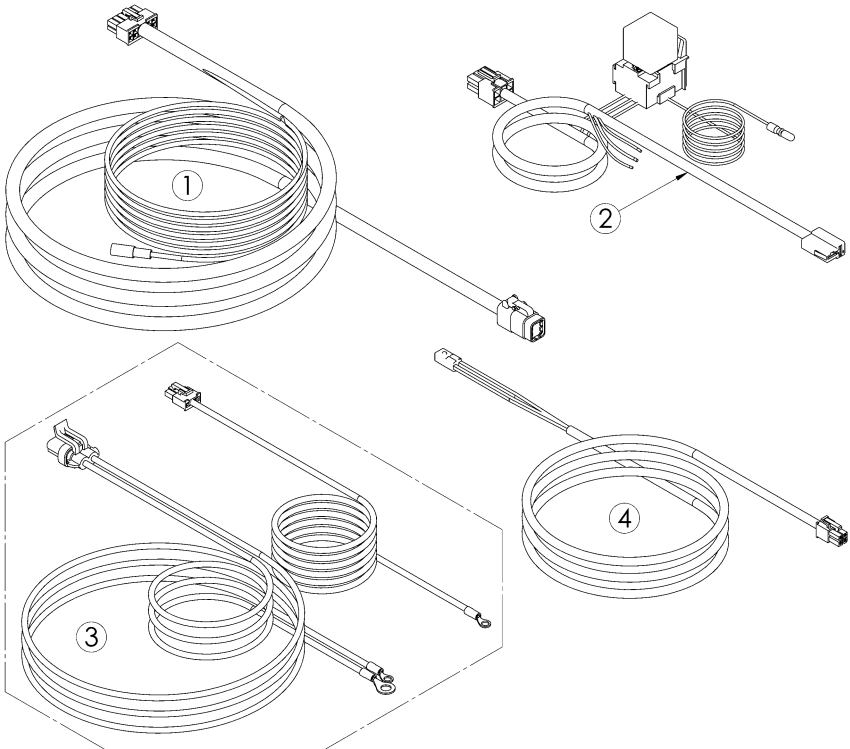


Figure 7 - Electrical Pack

VMAC – Vehicle Mounted Air Compressors

Sales: 877-912-6605

Tech: 888-241-2289

Fax: 877-740-3202

www.vmacair.com

8. Electrical Pack, 3810109

Item #	Part #	Qty	Description
1	3530803	1	CABLE SET, DTC, FOOT PEDAL, MX64
2	3530839	1	CABLE SET, DTC, MAIN WITH PBRAKE
3	3530805	1	CABLE SET, DTC, OBD2
4	2200164	5	TIE, NYLON, BLACK, 8"
5	1700581	120.0	LOOM, SPLIT PLASTIC, ¼", HIGH TEMP

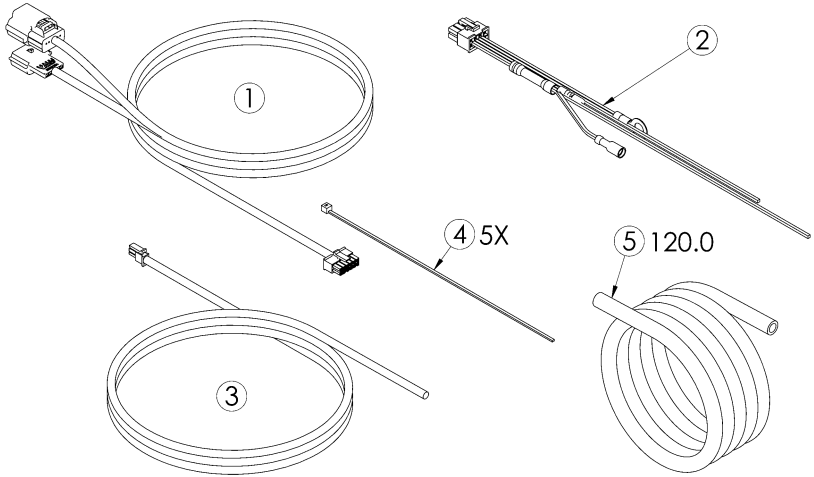


Figure 8 - Electrical Pack

VMAC – Vehicle Mounted Air Compressors

Sales: 877-912-6605

Tech: 888-241-2289

Fax: 877-740-3202

www.vmacair.com

9. Accessory Products

Parts listed below are not included with kit - Order through your VMAC dealer

Part #	Description
REGULAR SERVICE KITS	
A700263	200 HOUR SERVICE KIT - VR40 <i>Oil, air and oil filters, next service decal</i>
A700264	400 HOUR SERVICE KIT - VR40 <i>200 hour kit components + coalescing filter, safety valve, blowdown muffler</i>
INSTALLATION HELPER AND REPAIR KITS	
3801095	FASTENER PACK, BULKHEAD FTGS <i>Fittings to route #6 & #12 hoses and 1/4" PTFE tubes through bulkheads or floors</i>
A700224	ACCESSORY PACK, REMOTE MUFFLER <i>Tubing and fittings to relocate WHASP blowdown muffler through bulkheads or floors</i>
A700268	KIT, PTFE TUBE, SCAVENGE <i>Generic parts kit for scavenge tube replacement</i>
A700265	INTERFACE EXTENSION, VR40, 10' <i>Electrical extension harness for user interface panel</i>
INDIVIDUAL FITTINGS	
5000158	ELBOW, BRASS 45 DEG NPT-POLY 1/8-1/4 <i>45° 1/8 MNPT – 1/4" push connect fitting</i>
5000020	ELBOW, BRASS NPT-POLY, 1/8-1/4 <i>90° 1/8 MNPT – 1/4" push connect fitting</i>
5000012	CONNECTOR, BRASS NPT-POLY, 1/8-1/4 <i>Straight 1/8 MNPT – 1/4" push connect fitting</i>
4900117	JIC 90 DEG STEEL, SWIVEL, 3/8 -3/8 <i>90° #6 MJIC - #6 FJIC swivel fitting</i>
4900043	ELBOW, STEEL JIC/JIC SWIVEL, 3/4 <i>90° #12 MJIC - #12 FJIC swivel fitting</i>
AIR HANDLING AND STORAGE	
A700007	HOSE REEL, DRESSED, 1/2 X 50 <i>Auto-retract, 1/2" ID x 50' long hose, 1/2 NPT connections</i>
A800070	AFTERCOOLER, ELIMINATOR70, 70CFM <i>Cools and dries discharge air, 12V fan, 3/4 NPT connections</i>
A700151	FILTER-REGULATOR-LUBRICATOR <i>Conditions discharge air, 3/4 NPT connections, tool oil not included</i>
A300045	TANK, AIR RECEIVER 6 GAL C/W FTGS <i>6 gal wing tank, includes fittings, safety + drain valves, 3/4 NPT ports</i>
A300047	TANK, AIR RECEIVER 10 GAL C/W FTG <i>10 gal surface mount tank, includes fittings, gauge, safety + drain valves, 3/4 NPT ports</i>
A300010	TANK, WING 35 GAL C/W FTG <i>35 gal wing tank, includes fittings, gauge, safety + drain valves, 1 1/2 NPT ports</i>

VMAC – Vehicle Mounted Air Compressors

Sales: 877-912-6605

Tech: 888-241-2289

Fax: 877-740-3202

www.vmacair.com

This page intentionally left blank

This page intentionally left blank

This page intentionally left blank

Manufactured by



888-241-2289



tech@vmacair.com



877-740-3202



warranty@vmacair.com



www.vmacair.com



kb.vmacair.com



1333 Kipp Road, Nanaimo, B.C., V9X 1R3 Canada