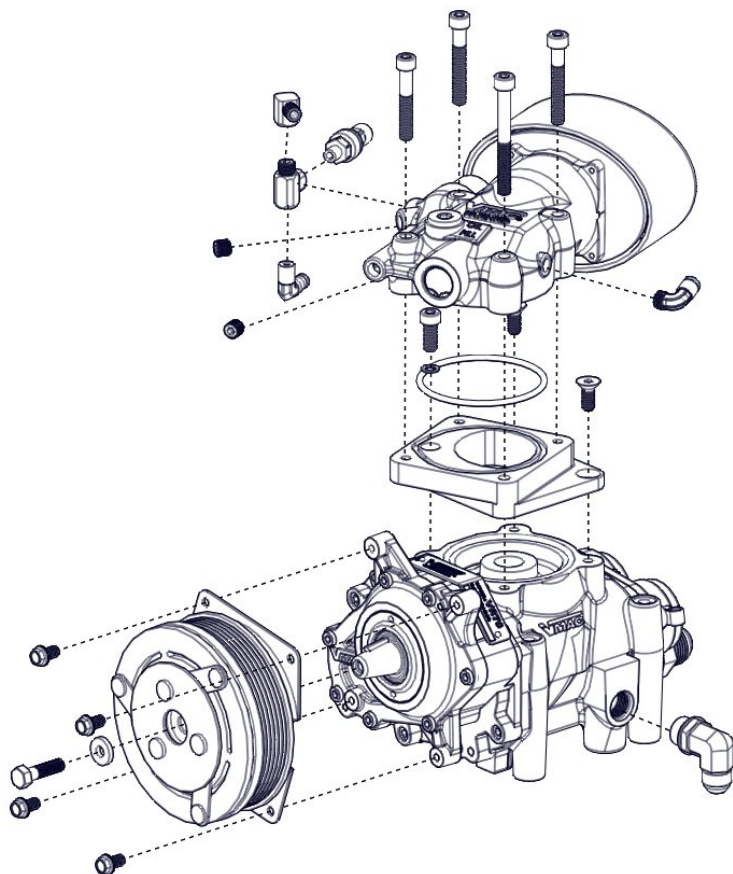


UNDERHOOD™ **40** AIR COMPRESSORS



Illustrated Parts List for VMAC System

V400018

**2019 - 2023 Ford Transit Connect
2.0L Gas (I4)**

www.vmacair.com

Illustrated Parts List for VMAC System V400018

VR40, Ford Transit Connect, 2.0L Gas, 2019 - 2023

1.	Kit Pack List.....	2
2.	Fastener Pack, 3801460	4
3.	Compressor, P130032	8
4.	Bracket Assy + Tensioner/Idler Service Items	9
5.	WHASP Tank Assembly, 9230074	10
6.	Air Filter Assembly, 4800866	12
7.	Electrical Pack, 3810112.....	13
8.	Electrical Pack, 3810109.....	14
9.	Accessory Products.....	15

NOTE: drawings are not to scale.

Document 1930448

Changes and Revisions

Revision	Revision Details	Revised by	Checked by				Implemented
			Eng.		Tech.	Qual.	
			Mech.	Elec.			
B	ECN 21-116: CONFIRMATION UPDATES	CAM	BJG	N/A	DK	LH	08JUN2021
C	ECN 22-012: UPDATE PRESSURE HARNESS	AJH	CAM	CAB	SP	LH	01FEB2022
D	ECN 22-060: FITTING UPDATE	TIK	GJM	N/A	RB	LEH	11AUG2022
E	ECN 23-248: MODEL YEAR CAP	BDJ	N/A	N/A	N/A	BDJ	31JAN2024

VMAC – Vehicle Mounted Air Compressors

Sales: 877-912-6605

Tech: 888-241-2289

Fax: 877-740-3202

www.vmacair.com

1. Kit Pack List

Item #	Part #	Qty	Description
1	P130032	1	COMP, VR40, FRT INLET, HORZ DISCH
2	4800863	1	ASSY, MAIN BRACKET, FORD 2.0L TC
3	9230074	1	ASSY, MAIN, WHASP TANK
4	1620371	1	BELT, K040745
5	4800866	1	ASSY, AIR FILTER, FORD TC
6	3560280	1	VR DTC, U40 FORD TC 2.0G 2019+
7	3550986	1	INTERFACE PANEL, VR40
8	3550987	1	CONTROL MODULE, VR40
9	4800709	1	ASSEMBLY, REMOTE MUFFLER
10	3810108	1	ELEC PACK, U40, CONTROL, INTRLCK
11	3810109	1	ELEC PACK, U40, MX64 PEDAL, INTRLCK
12	4800864	1	SYS ID & OP INSTR, FORD 2.0L TC
13	3801460	1	FASTENER PACK, V400018
14	1812112	1	HOSE, CRIMPED, 3/8" X 112"
15	1812050	1	HOSE, CRIMPED, 3/8" X 50"
16	1772108	1	HOSE, CRIMPED, 3/4" X 108"
17	1772050	1	HOSE, CRIMPED, 3/4" X 50"
18	A700094	1	OIL, VR, 4L, HIGH PERFORMANCE
19	1930335	1	MANUAL, OWNERS, VR40
20	1930447	1	MANUAL, INSTALLATION, V400018
21	1930448	1	ILLUSTRATED PARTS LIST, V400018

VMAC – Vehicle Mounted Air Compressors

Sales: 877-912-6605

Tech: 888-241-2289

Fax: 877-740-3202

www.vmacair.com

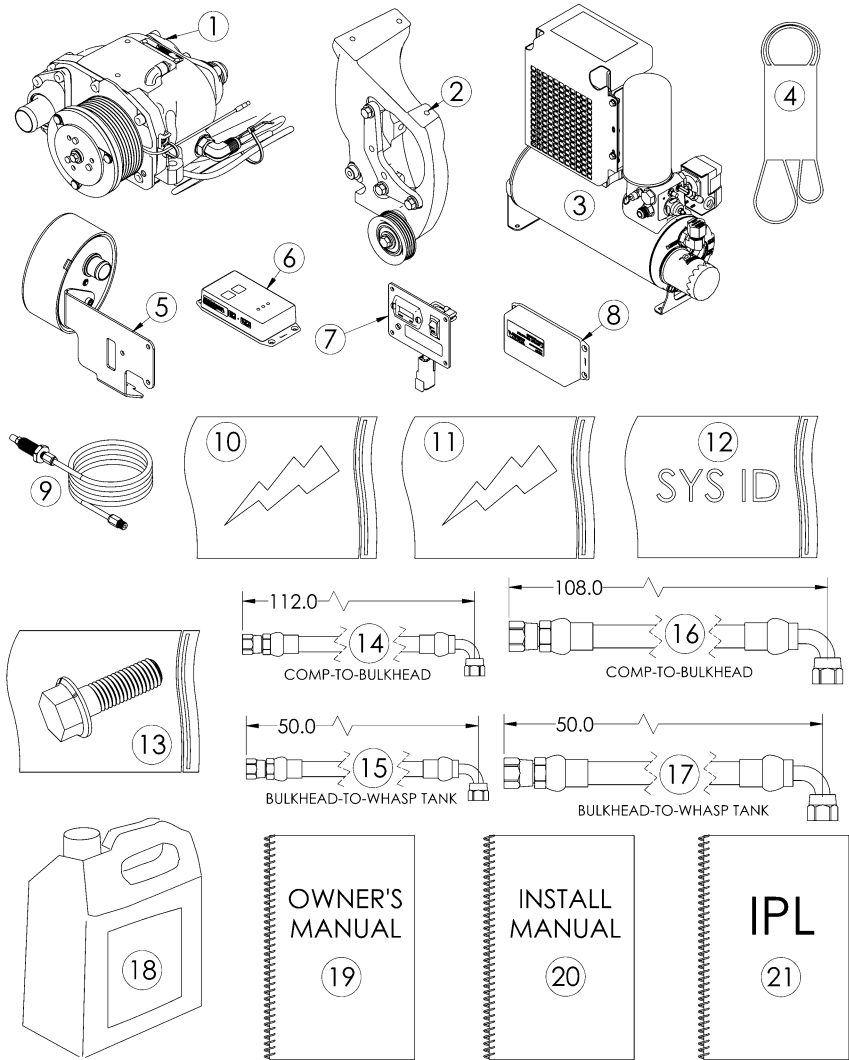


Figure 1 - Kit Pack List

VMAC – Vehicle Mounted Air Compressors

Sales: 877-912-6605

Tech: 888-241-2289

Fax: 877-740-3202

www.vmacair.com

2. Fastener Pack, 3801460

Item #	Part #	Qty	Description
1	3801454	1	FASTENER PACK, MAIN BRACKET
1.1	1520621	1	BOLT, HHCS, FLHD, M10 X 1.5 X 45
1.2	1520615	1	BOLT,HHCS FL,PL,GR10.9,M8 X1.25 X50
1.3	1520591	1	BOLT,HHCS, M8-1.25 X 25,G10.9 FL PL
2	3801455	1	FASTENER PACK, COMPRESSOR
2.1	1540134	3	BOLT, SHCS, M8 X 1.25 X 30, G12.9
3	3801459	1	FASTENER PACK, HOSE ROUTING
3.1	1520590	1	BOLT, HHCS, M6 X 1.0 X 14 FL PL
3.2	1560537	3	NUT, NYLOCK, M6 X 1.0, FL PL
3.3	2200210	4	CLAMP, STRAP, 1 1/2
3.4	4900043	1	FTG, 90, #12FJIC-#12MJIC
3.5	1700584	24.0	SPIRAL WRAP, 1" OD, BLACK
3.6	1700613	24.0	SPIRAL WRAP, 1/2" ID, BLACK
3.7	5000020	1	ELBOW, BRASS NPT-POLY, 1/8-1/4
3.8	1500139	2	SCREW, SHEET METAL SLOTTED,5/16X3/4
3.9	1560538	2	NUT, NYLOCK, M8 X 1.25, FL PL
4	3801457	1	FASTENER PACK, LARGE HOSE
4.1	4900141	2	FTG, STR, 3/4"HOSE-3/4"HOSE
4.2	2200029	4	CLAMP, HOSE HS10
5	3801282	1	FAST PACK, AIR FILTER, VR40
5.1	2200222	2	CLAMP, SOFT HOSE, 1.00-1.50
5.2	1500689	3	SCREW,BHSC,PL,M6X1X8MM
5.3	1700034	2.3	HOSE, HEATER BLACK 150 PSI, 1
6	3801463	1	FASTENER PACK, TEFLON HOSE
6.1	1700570	120.0	TUBE, TEFLON, PTFE,1/4"OD
6.2	1700581	118.0	LOOM, SPLIT PLASTIC, 1/4, HIGH TEMP
6.3	1700570	50.0	TUBE, TEFLON, PTFE,1/4"OD
6.4	1700581	48.0	LOOM, SPLIT PLASTIC, 1/4, HIGH TEMP
6.5	2200039	20	TIE, NYLON MD, 7"
6.6	1700570	56.0	TUBE, TEFLON, PTFE,1/4"OD

VMAC – Vehicle Mounted Air Compressors

Sales: 877-912-6605

Tech: 888-241-2289

Fax: 877-740-3202

www.vmacair.com

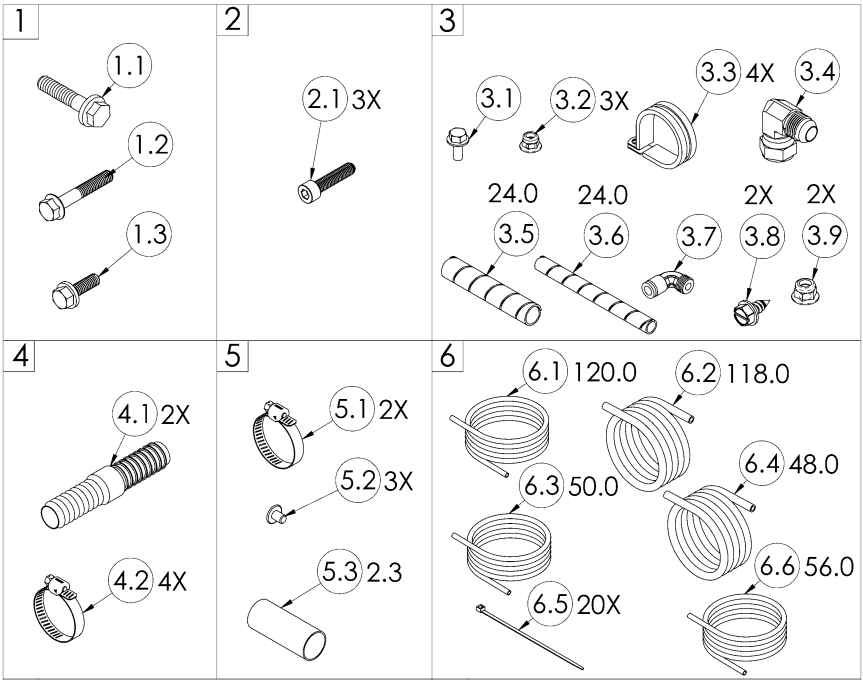


Figure 2 - Fastener Pack

VMAC – Vehicle Mounted Air Compressors

Sales: 877-912-6605

Tech: 888-241-2289

Fax: 877-740-3202

www.vmacair.com

Fastener Pack, 3801460 (Cont'd)

Item #	Part #	Qty	Description
7	3801458	1	FASTENER PACK, SMALL HOSE
7.1	2200267	4	CLAMP, HOSE, MH-5
7.2	1560537	1	NUT, NYLOCK, M6 X 1.0, FL PL
7.3	1520590	1	BOLT, HHCS, M6 X 1.0 X 14 FL PL
7.4	5000235	2	FTG, STR, 3/8"HOSE-3/8"HOSE
7.5	1700030	2.3	HOSE, PUSH ON 250 PSI, 3/8 ID
7.6	2200178	1	CLAMP, 5/8, CUSHION
8	3801095	1	FASTENER PACK, BULKHEAD FTGS
8.1	4900209	1	FTG, STR, #6MJIC-#6MJIC, BLKHD
8.2	4900170	1	FTG, STR, #12MJIC-#12MJIC, BLKHD
8.3	5000178	1	CONNECTOR, BRASS BULKHEAD, 1/8
8.4	5000158	2	ELBOW,BRASS 45 DEG NPT-POLY 1/8-1/4
9	3801456	1	FASTENER PACK, IDLER
9.1	1300046	1	IDLER, BACK, 65MM
9.2	1570526	1	WASHER, FENDER, 8MM X 24MM
9.3	1520591	1	BOLT,HHCS, M8-1.25 X 25,G10.9 FL PL
10	3801467	1	FASTENER PACK, CLUTCH INTERLOCK
10.1	4800867	1	ASSY, SWITCH, PRESSURE
10.2	1700570	24.0	TUBE, TEFLON, PTFE, 1/4"OD
10.3	1700581	20.0	LOOM, SPLIT PLASTIC, 1/4, HIGH TEMP
10.4	5000218	1	FITTING, UNION TEE, 1/4" POLY
10.5	2200178	1	CLAMP, 5/8, CUSHION
10.6	1520590	1	BOLT, HHCS, M6 X 1.0 X 14 FL PL
10.7	1560537	1	NUT, NYLOCK, M6 X 1.0, FL PL
10.8	1201201	1	BRACKET, FOOT MOUNT, VR40

VMAC – Vehicle Mounted Air Compressors

Sales: 877-912-6605

Tech: 888-241-2289

Fax: 877-740-3202

www.vmacair.com

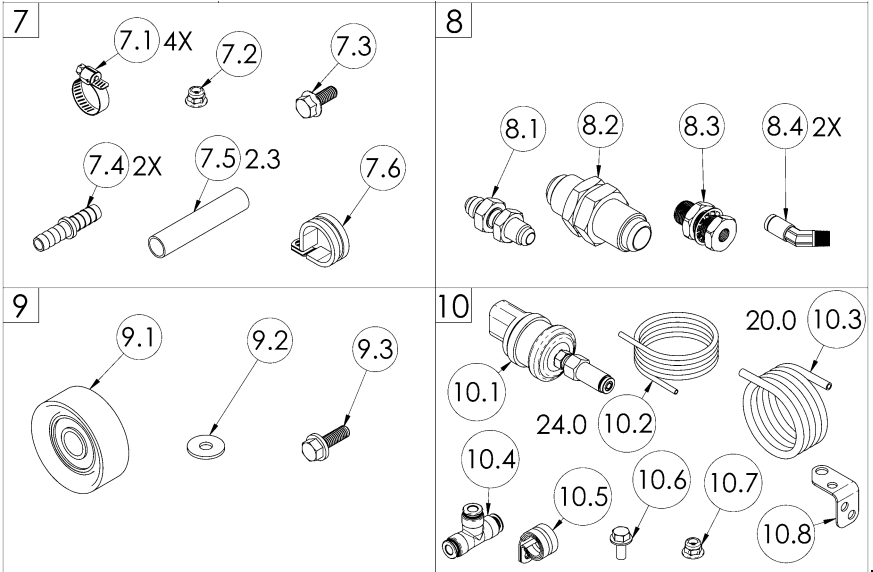


Figure 3 - Fastener Pack (Cont'd)

VMAC – Vehicle Mounted Air Compressors

Sales: 877-912-6605

Tech: 888-241-2289

Fax: 877-740-3202

www.vmacair.com

3. Compressor, P130032

Assembly sub-components listed below

Item #	Part #	Qty	Description
1	P200048	1	CLUTCH, COMPLETE, 8 GROOVE, 3.35
2	9230071	1	SPACER, INPUT SHAFT, VR40
3	3550682	1	PROBE, ASSY, THERMISTOR, SHORT
4	4900176	1	FTG, 90, #6MORB-#6MJIC, VITON
5	1500623	1	SCREW,PT HD,PL F-THRD 6-32 X 1/4"
6	2200164	1	TIE, NYLON, BLACK, 8"
7	2200250	1	TIE MOUNT, HEAT STABILIZED NYLON
8	4900226	1	FTG, STR, #12MJIC-#8MORB, VITON
9	5000020	1	ELBOW, BRASS NPT-POLY, 1/8-1/4

* - SHOWN FOR REFERENCE ONLY

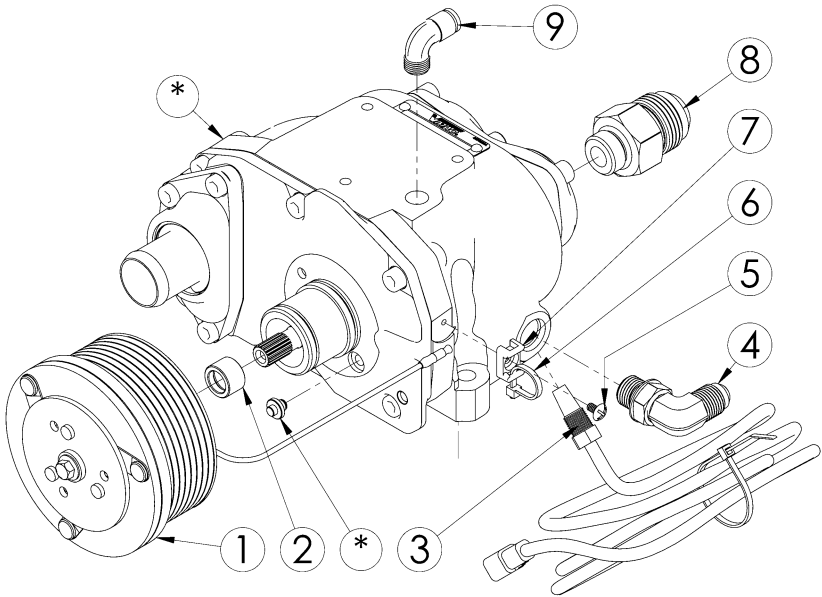


Figure 4 - Horizontal Discharge Compressor Assembly

VMAC – Vehicle Mounted Air Compressors

Sales: 877-912-6605

Tech: 888-241-2289

Fax: 877-740-3202

www.vmacair.com

4. Bracket Assy + Tensioner/Idler Service Items

Item #	Part #	Qty	Description
1	2600140	1	TENSIONER, MODIFIED
1.1	1300046	1	IDLER, BACK, 65MM
2	1520605	2	BOLT,HHCS, M8-1.25 X 30, FL PL
3	1300043	1	IDLER, PULLEY, 4 RIB, STEEL
4	1570526	1	WASHER, FENDER, 8MM X 24MM
5	1520591	2	BOLT,HHCS, M8-1.25 X 25,G10.9 FL PL
6	1520621	1	BOLT, HHCS, FLHD, M10 X 1.5 X 45
7	1520615	1	BOLT,HHCS FL,PL,GR10.9,M8 X1.25 X50
8	4800863	1	ASSY, MAIN BRACKET, FORD 2.0L TC
8.1	1100255	1	BRACKET, MAIN, FORD 2.0L TC
8.2	1520591	3	BOLT,HHCS, M8-1.25 X 25,G10.9 FL PL
8.3	3200609	1	PLATE, TENSIONER, FORD TC
8.4	1400451	1	SPACER, IDLER POST
8.5	1300043	1	IDLER, PULLEY, 4 RIB, STEEL
8.6	1570526	1	WASHER, FENDER, 8MM X 24MM
8.7	1520637	1	BOLT,HHCS, M8-1.25 X 35, FL PL

Note: Some OEM components are shown as service items below, not supplied with kit.

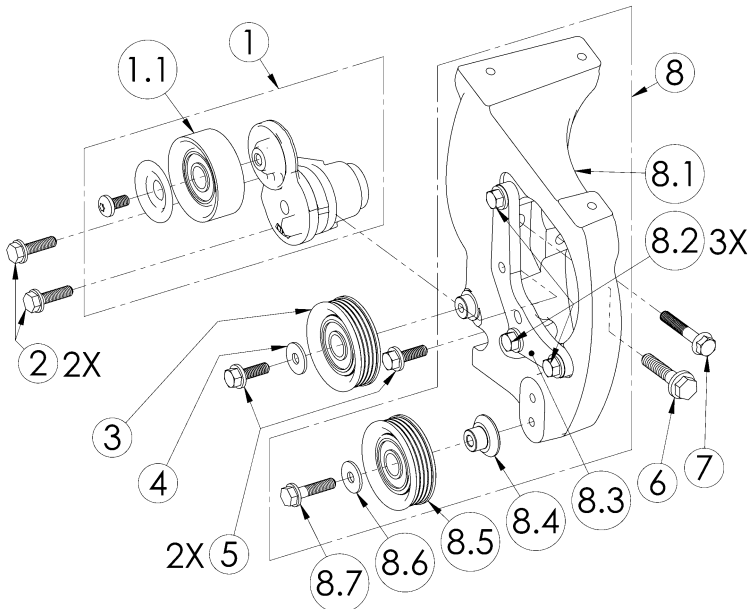


Figure 5 - Main Bracket + Tensioner/Idlers

VMAC – Vehicle Mounted Air Compressors

Sales: 877-912-6605

Tech: 888-241-2289

Fax: 877-740-3202

www.vmacair.com

5. WHASP Tank Assembly, 9230074

Assembly sub-components listed below

Item #	Part #	Qty	Description
1	9230072	1	ASSY, SHROUD AND DECAL
2	3600079	1	OIL SEPARATOR, SPIN-ON
3	9200039	1	OIL FILTER, VR 3.250 SHORT
4	4900164	1	CAP, #12JIC, MOD
5	3501294	1	SWITCH, PRESSURE, 50-175PSI
6	4300039	1	PIPE FTG, PLUG SKT HEAD, 3/8
7	4500104	1	MUFFLER, SINTERED EXHAUST, 1/8"
8	3600171	1	VALVE, MODIFIED (3600167)
9	4900106	1	PLUG, #5ORB, EXTERNAL HEX, VITON
10	3600054	1	VALVE, SAFETY 200 PSI
11	A700061	1	PYREX WINDOW KIT
12	4900175	1	FTG, STR, #6MJIC-#8MORB, VITON
13	1200852	1	PLATE, MOUNT, FILTER END
14	1200847	1	PLATE, MOUNT, BOLT ON
15	1520601	4	BOLT, HHCS FL PL, M8 X 1.25 X 12
16	6000719	1	SHROUD, FAN, WHASP TANK
17	3501290	1	FAN, PULLER, 7.5"
18	4900128	1	FTG, STR, #12MORB-#12MJIC, VITON
19	5000140	1	ELBOW, BRASS, FORGED, 90DEG, 1/8 PIPE
20	3600123	1	VALVE, CHECK, 1/8 NPT
21	5000212	1	CONNECTOR, BRASS, FNPT-POLY, 1/8-1/4
22	1520590	8	BOLT, HHCS, M6 X 1.0 X 14 FL PL
23	1560516	4	NUT, M6 X 1.0 FL PL
24	4900260	1	FTG, 90, #12MORB-#12MJIC, VITON
25	4900046	1	FTG, STR, #8MORB-#8MJIC

VMAC – Vehicle Mounted Air Compressors

Sales: 877-912-6605

Tech: 888-241-2289

Fax: 877-740-3202

www.vmacair.com

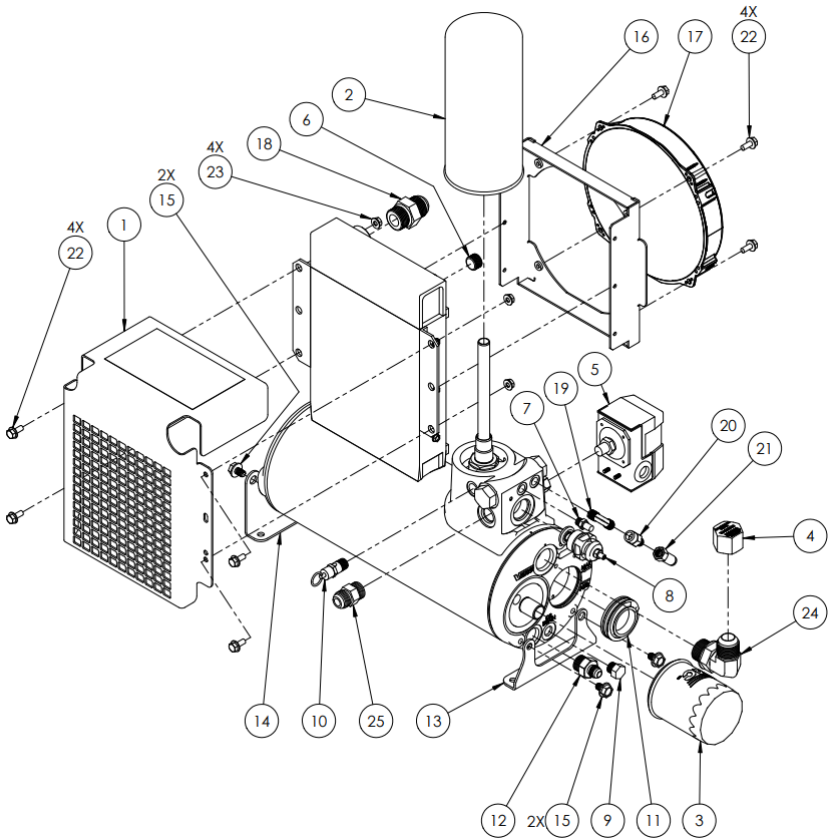


Figure 6 - WHASP Tank Assembly

VMAC – Vehicle Mounted Air Compressors

Sales: 877-912-6605

Tech: 888-241-2289

Fax: 877-740-3202

www.vmacair.com

6. Air Filter Assembly, 4800866

Assembly sub-components listed below

Item #	Part #	Qty	Description
1	1520657	1	BOLT, HHCS, FL, M6 X 1.0 X 60
2	3600066	1	COVER, AIR FILTER, PLASTIC
3	3600037	1	FILTER ELEMENT, PAPER
4	9230016	1	WELDMENT, REMOTE AIR FILTER
5	1201182	1	BRACKET, AIR FILTER, FORD TC
6	1540538	2	BOLT, SHCS, PL, M6 X 1.0 X 14

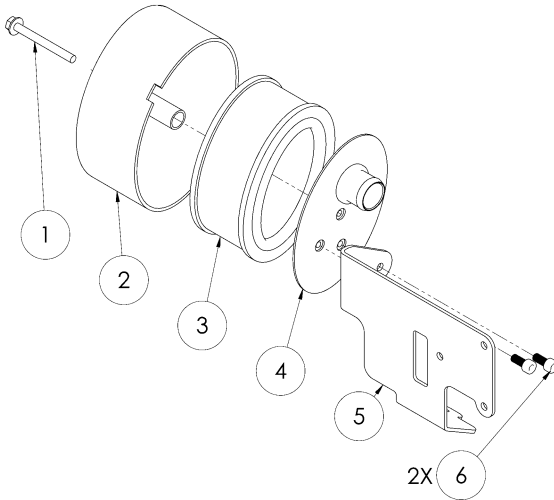


Figure 7 - Air Filter Assembly

VMAC – Vehicle Mounted Air Compressors

Sales: 877-912-6605

Tech: 888-241-2289

Fax: 877-740-3202

www.vmacair.com

7. Electrical Pack, 3810112

Item #	Part #	Qty	Description
1	3550985	1	HARNESS, VR40 CONTROL
2	3551088	1	HARNESS, VR40 RELAY POWER
3	3551116	1	HARNESS, VR40 PRESSURE
4	3550990	1	HARNESS, VR40 TEMPERATURE

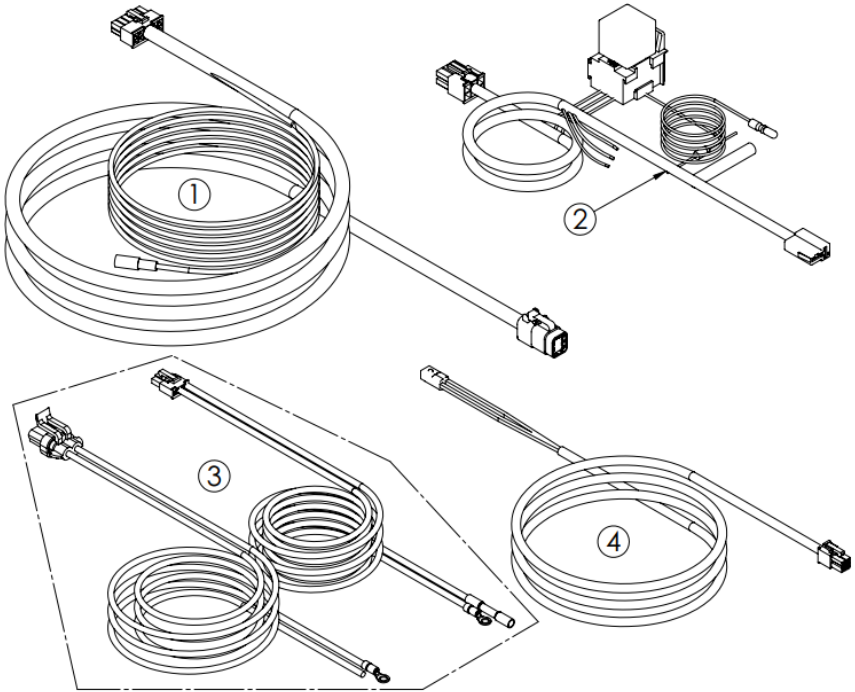


Figure 9 - Electrical Pack

VMAC – Vehicle Mounted Air Compressors

Sales: 877-912-6605

Tech: 888-241-2289

Fax: 877-740-3202

www.vmacair.com

8. Electrical Pack, 3810109

Item #	Part #	Qty	Description
1	3530803	1	CABLE SET, DTC, FOOT PEDAL, MX64
2	3530839	1	CABLE SET, DTC, MAIN WITH PBRAKE
3	3530805	1	CABLE SET, DTC, OBD2
4	2200164	5	TIE, NYLON, BLACK, 8"
5	1700581	120.0	LOOM, SPLIT PLASTIC, 1/4, HIGH TEMP

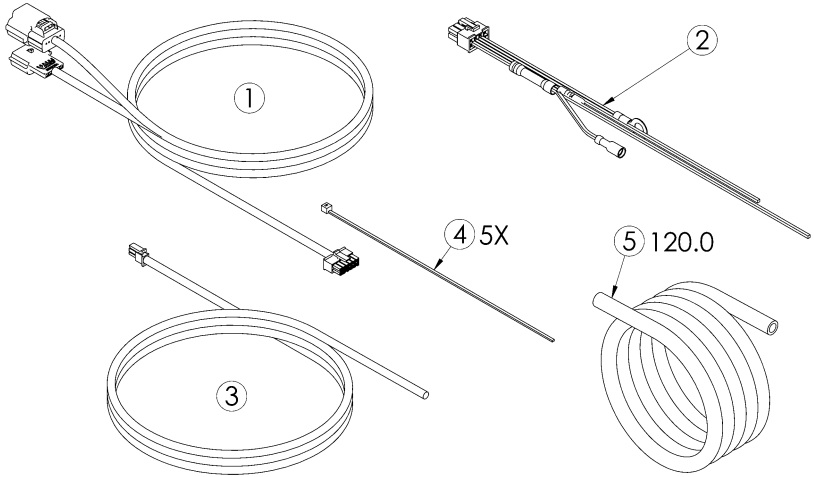


Figure 10 - Electrical Pack

VMAC – Vehicle Mounted Air Compressors

Sales: 877-912-6605

Tech: 888-241-2289

Fax: 877-740-3202

www.vmacair.com

9. Accessory Products

Parts listed below are not included with kit - Order through your VMAC dealer

Part #	Description
REGULAR SERVICE KITS	
A700263	200 HOUR SERVICE KIT - VR40 <i>Oil, air and oil filters, next service decal</i>
A700264	400 HOUR SERVICE KIT - VR40 <i>200 hour kit components + coalescing filter, safety valve, blowdown muffler</i>
INSTALLATION HELPER AND REPAIR KITS	
3801095	FASTENER PACK, BULKHEAD FTGS <i>Fittings to route #6 & #12 hoses and 1/4" PTFE tubes through bulkheads or floors</i>
A700224	ACCESSORY PACK, REMOTE MUFFLER <i>Tubing and fittings to relocate WHASP blowdown muffler through bulkheads or floors</i>
A700268	KIT, PTFE TUBE, SCAVENGE <i>Generic parts kit for scavenge tube replacement</i>
A700265	INTERFACE EXTENSION, VR40, 10' <i>Electrical extension harness for user interface panel</i>
INDIVIDUAL FITTINGS	
5000158	ELBOW, BRASS 45 DEG NPT-POLY 1/8-1/4 <i>45° 1/8 MNPT – 1/4" push connect fitting</i>
5000020	ELBOW, BRASS NPT-POLY, 1/8-1/4 <i>90° 1/8 MNPT – 1/4" push connect fitting</i>
5000012	CONNECTOR, BRASS NPT-POLY, 1/8-1/4 <i>Straight 1/8 MNPT – 1/4" push connect fitting</i>
4900117	JIC 90 DEG STEEL, SWIVEL, 3/8 -3/8 <i>90° #6 MJIC - #6 FJIC swivel fitting</i>
4900043	ELBOW, STEEL JIC/JIC SWIVEL, 3/4 <i>90° #12 MJIC - #12 FJIC swivel fitting</i>
AIR HANDLING AND STORAGE	
A700007	HOSE REEL, DRESSED, 1/2 X 50 <i>Auto-retract, 1/2" ID x 50' long hose, 1/2 NPT connections</i>
A800070	AFTERCOOLER, ELIMINATOR70, 70CFM <i>Cools and dries discharge air, 12V fan, 3/4 NPT connections</i>
A700151	FILTER-REGULATOR-LUBRICATOR <i>Conditions discharge air, 3/4 NPT connections, tool oil not included</i>
A300045	TANK, AIR RECEIVER 6 GAL C/W FTGS <i>6 gal wing tank, includes fittings, safety + drain valves, 3/4 NPT ports</i>
A300047	TANK, AIR RECEIVER 10 GAL C/W FTG <i>10 gal surface mount tank, includes fittings, gauge, safety + drain valves, 3/4 NPT ports</i>
A300010	TANK, WING 35 GAL C/W FTG <i>35 gal wing tank, includes fittings, gauge, safety + drain valves, 1 1/2 NPT ports</i>

VMAC – Vehicle Mounted Air Compressors

Sales: 877-912-6605

Tech: 888-241-2289

Fax: 877-740-3202

www.vmacair.com

This page intentionally left blank

Manufactured by



888-241-2289



tech@vmacair.com



877-740-3202



warranty@vmacair.com



www.vmacair.com



www.kb.vmacair.com



1333 Kipp Road, Nanaimo, B.C., V9X 1R3 Canada