

Illustrated Parts List for VMAC System V900110

**Ford 2008 - 2010 F250-F550 6.4L
Power Stroke Diesel**

1 - Kit Pack List	2
2 - Fastener Pack, 3800690.....	4
3 - Compressor Assembly, P120122	7
4 - Compressor Sub Components, P120004.....	9
5 - Inlet Valve Sub Components, 9200420	10
6 - Main Bracket Assembly, 4800518	11
7 - VR70 Tank, 9200430	12
8 - Cooler Assembly, 4800486.....	14

NOTE: Drawings are not to scale.

Document 1930155 Changes and Revisions

Version	Revision Details	Revised by/date	Approved by/date	Implemented
-	New	SL 20 Mar 2008	TG 24 Mar 2008	28 Mar 2008
A	ECN 08-169, ECN 08-190	SL 29 July 2008	TG 30 Jul 2008	30 July 2008
B	ECN 08-304	SL 18 Nov 2008	MH 19 Nov 2008	20Nov 2008
C	ECN 09-025	SL 24 Feb 2009	TG 10 Mar 2009	10 Mar 2009
D	ECN 09-095	SL 20 Oct 2009	PD 20 Oct 2009	20 Oct 2009
E	ECN 09-111	SL 24 Nov 2009	TG 25 Nov 2009	1 Dec 2009

VMAC – Vehicle Mounted Air Compressors

Toll Free: 1-800-738-8622 Local: 1-250-740-3200

Fax: 1-250-740-3201

1 - Kit Pack List

Item #	Part #	Qty	Description Item
1	1610325	1	BELT, K060716
2	1710597	1	HOSE, HEATER, 3/4 X 66" (1700177)
3	1710741	1	HOSE, CUT INTERCOOLER
4	1752073	1	HOSE, CRIMPED, 1/2" X 73"
5	1752093	1	HOSE, CRIMPED, 1/2" X 93"
6	1771056	1	HOSE, CRIMPED, 1" X 56"
7	1800197	1	CRANK PULLEY
8	1930060	1	MANUAL, OWNERS GENERIC, VR70 & 140
9	1930154	1	MANUAL, INSTALLATION
10	1930155	1	ILLUSTRATED PARTS LIST
11	2200105	2	CLAMP, MOUNTING BRACKET C, 6
12	3550723	1	CONTROL BOX, 132.0" TEMP
13	3550739	1	INTERFACE CABLE
14	3550740	1	CABLE, ALTERNATOR EXTENDER 12"
15	3560205	1	VRTC
16	3800690	1	FASTENER PACK
17	4800413	1	SYSTEM OPERATION AND ID
18	4800486	1	ASSEMBLY, COOLER
19	4800518	1	ASSEMBLY, MAIN BRACKET
20	9200430	1	TANK, VR70 DRESSED INT OIL FILTER
21	A700091	1	OIL, VR, 1L, HIGH PERFORMANCE
22	A700094	1	OIL, VR, 4L, HIGH PERFORMANCE
23	P120122	1	COMPRESSOR ASSEMBLY

VMAC – Vehicle Mounted Air Compressors

Toll Free: 1-888-241-2289

Local: 1-250-740-3200

Fax: 1-250-740-3201

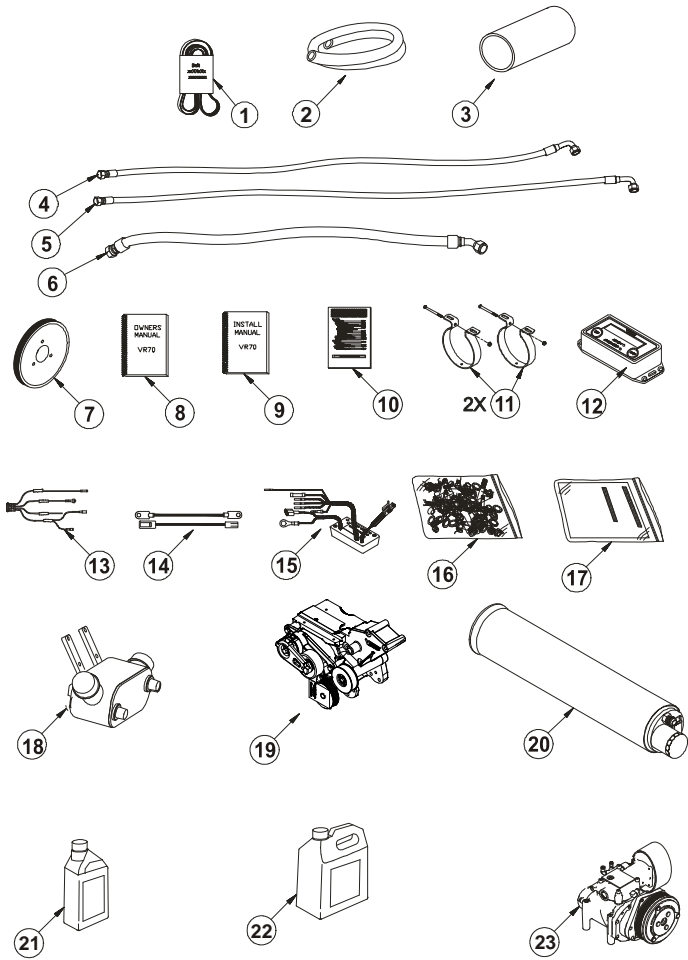


Figure 1 - Kit Pack List

2 - Fastener Pack, 3800690

Item #	Part #	Qty	Description
1	3800608	1	FASTENER PACK, CRANK PULLEY
1.1	1520464	3	BOLT, HHCS G10.9, M10 X 1.5 X 130
1.2	1570044	3	WASHER, ALLOY PL SAE, 3/8
2	3800612	1	FASTENER PACK, HOSE
2.1	1500139	1	SCREW, SHEET METAL SLOTTED,5/16X3/4
2.2	1720614	1	TUBE, 2" CONNECTOR
2.3	2200027	4	CLAMP, HOSE HS32
2.4	2200048	4	CLAMP, HOSE HS12
2.5	2200083	1	CLAMP, STRAP 1-1/4
2.6	5300043	1	CONNECTOR, TEE NYLON, 3/4
3	3800615	1	FASTENER PACK, WIRING LOOM
3.1	1700029	1	LOOM, SPLIT PLASTIC, 1/2 X 120
3.2	2200039	7	TIE, NYLON MD, 7"
4	3800643	1	FAST PACK, FAN
4.1	1200539	1	BRACKET, FAN WIRE
4.2	1500449	2	SCREW,PAN PHILLIPS 8 X 1 SMS(18.8)
4.3	3400068	1	SPACER, FAN
5	3800667	1	FASTENER PACK, TEFLON HOSE (V900090)
5.1	1700570	111.5	TUBE, TEFLON, PTFE,1/4"OD X 3/16"ID
5.2	1700571	100.5	TUBE, TEFLON,PTFE, 3/16"OD X 1/8"ID
5.3	1700581	100.5	LOOM, SPLIT PLASTIC, 1/4, HIGH TEMP
5.4	1700581	111.5	LOOM, SPLIT PLASTIC, 1/4, HIGH TEMP
5.5	2200039	10	TIE, NYLON MD, 7"
6	3800658	1	FAST PACK, ALTERNATOR GUARD
6.1	1500611	5	RETAINER, PLASTIC, FORD
6.2	5200180	1	NEOPRENE, 1/8 X 12 X 12
7	3800704	1	FASTENER PACK, OIL VENT
7.1	1710737	1	HOSE, OIL DRAIN 2.5 X 1/2" (1700517)
7.2	1710739	1	HOSE, 7.5" (1700546)
7.3	2200001	2	CLAMP, HOSE MH-6
7.4	2200176	2	CLAMP, 5/8, DOUBLE EARED
7.5	5300053	1	CONNECTOR, HOSE BARB 1/2
8	3800711	1	FASTENER PACK, BRAKE LINE
8.1	1200579	1	BRACKET, BRAKE LINE
8.2	1520144	1	BOLT, HHCS G8.8, M10 X 1.5 X 12
8.3	1520563	1	BOLT, HHCS FLHD PL M10 X 1.50 X 25

VMAC – Vehicle Mounted Air Compressors

Toll Free: 1-888-241-2289

Local: 1-250-740-3200

Fax: 1-250-740-3201

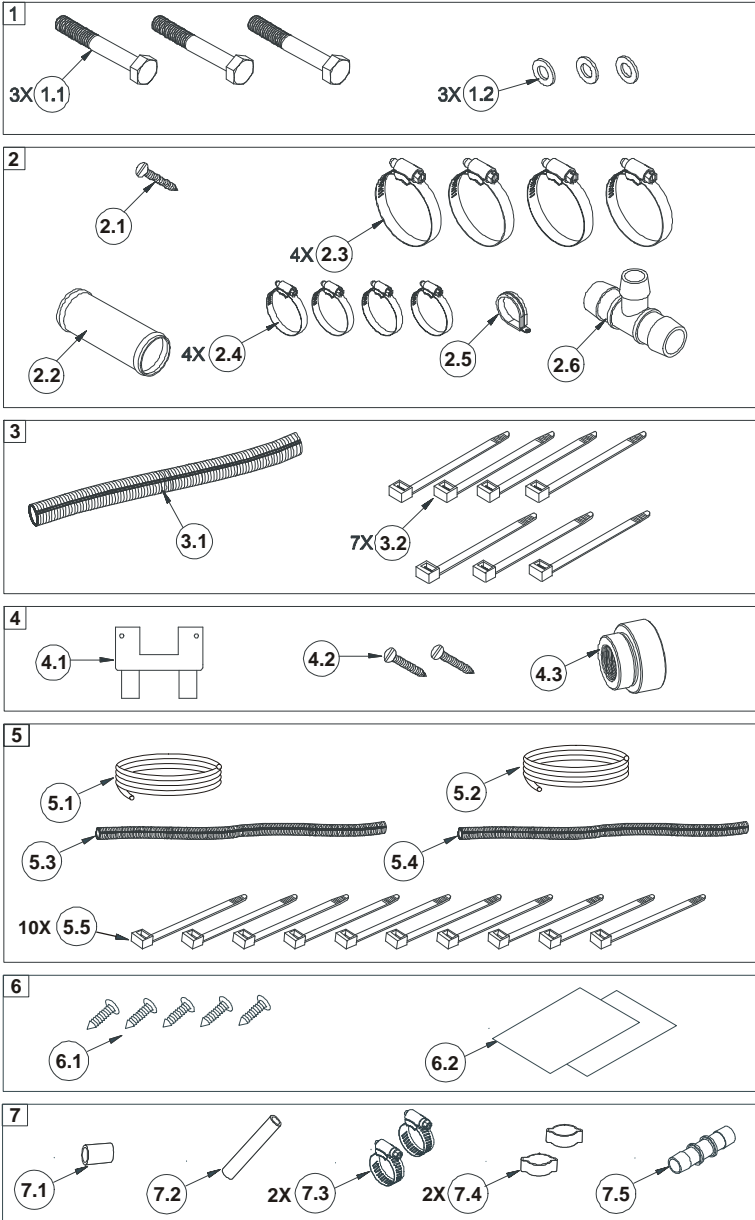


Figure 2 – Fastener Packs

Fastener Packs (cont.) 3800690

Item #	Part #	Qty	Description
9	3800713	1	FAST PACK, MOUNT, VR70 TANK
9.1	1200562	2	BRACKET, TANK MOUNT BAR
9.2	1200563	2	CLIP, TANK MOUNT
9.3	1500621	2	BOLT, J PL 3/8-16 X 5"
9.4	1510349	4	BOLT, HHCS NC G8 PL, 5/16 X 1/2
9.5	1510538	2	BOLT, HHCS NC FL-PL 3/8 X 4 1/2 IN
9.6	1550504	2	NUT, FLANGE LOCK NC GR5, 3/8
9.7	1570009	2	WASHER, SPLIT LOCK, 3/8
9.8	1570067	4	WASHER, SAE, 5/16

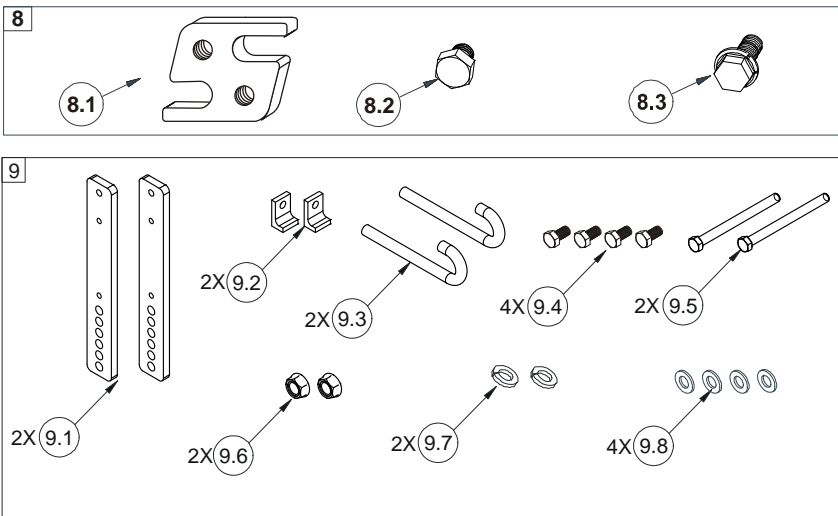


Figure 3 – Fastener Packs (cont.)

VMAC – Vehicle Mounted Air Compressors

Toll Free: 1-888-241-2289

Local: 1-250-740-3200

Fax: 1-250-740-3201

3 - Compressor Assembly, P120122

Item #	Part #	Qty	Description
1	1540521	4	BOLT, SHCS, M8 X 1.25 X 110
2	4300076	1	PIPE FTG, PLUG SKT HEAD, 1/8
3	3500288	1	SENSOR, PRESSURE
4	5000112	1	ELBOW, BRASS STREET 45 DEG, 1/8
5	1540550	2	BOLT, SHCS, M8 X 1.25 X 50, GR 12.9
6	5000165	1	ELBOW ,90, BRASS NPT-POLY, 1/8-3/16"
7	1540530	2	BOLT, SHCS, M8 X 1.25 X 55, G12.9
8	9200420	1	INLET CONTROL VALVE BASIC INT. REG.
9	5000020	1	ELBOW, BRASS NPT-POLY, 1/8-1/4"
10	4900002	1	ELBOW, STEEL JIC/O-RING, 1/2 3/4-16
11	5830132	1	O-RING, VITON, #8 ORB, HEX
12	P120004	1	COMPRESSOR, VR70
13	4900045	1	PLUG, STEEL HEX SAE/O-RING PORT
14	5830004	1	O-RING, VITON, 3 1/8 ID X 1/8
15	4400295	1	LABEL, VR70 NAME PLATE

VMAC – Vehicle Mounted Air Compressors

Toll Free: 1-888-241-2289

Local: 1-250-740-3200

Fax: 1-250-740-3201

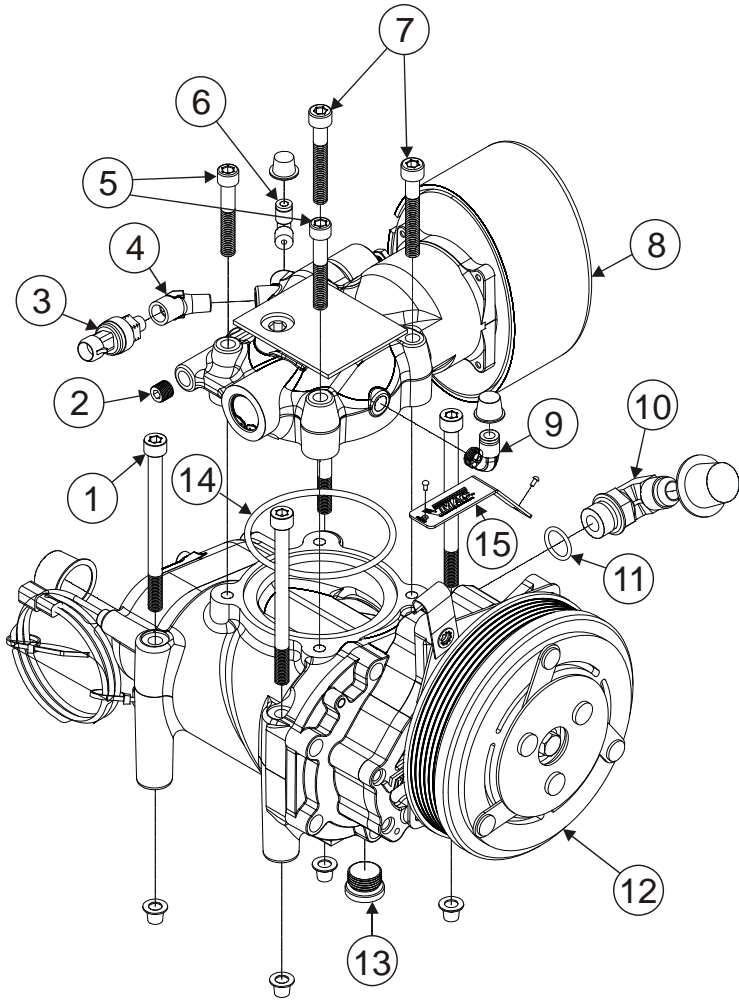


Figure 4 – Compressor Assembly

VMAC – Vehicle Mounted Air Compressors
 Toll Free: 1-888-241-2289
 Local: 1-250-740-3200
 Fax: 1-250-740-3201

4 - Compressor Sub Components, P120004

Item #	Part #	Qty	Description
1	3550682	1	TEMPERATURE PROBE
2	P200035	1	CLUTCH COMPLETE 6 GROOVE

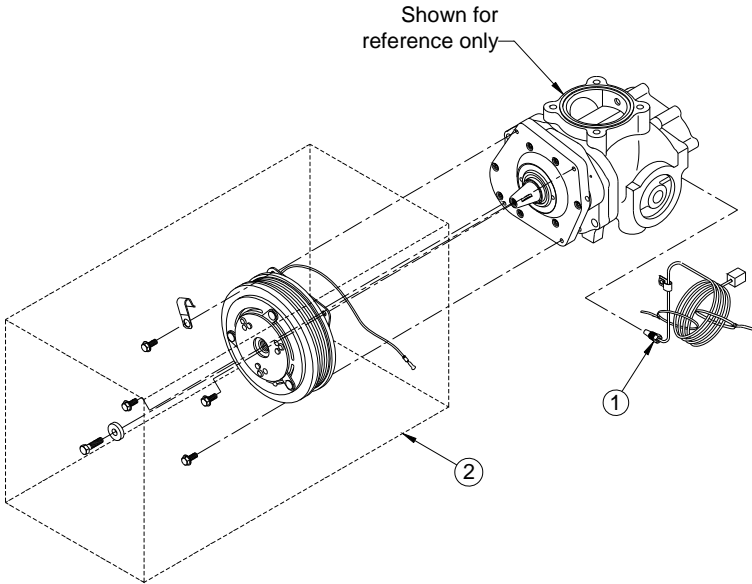


Figure 5 – Compressor Sub Components

5 - Inlet Valve Sub Components, 9200420

Item #	Part #	Qty	Description
1	1500077	4	SCREW, BUTTON HEAD, 10 - 32 X 3/8
2	1500519	1	ROD, THREADED, 1/4 X 2.62
3	1550029	1	NUT, NYLOCK NC, 1/4
4	1550221	1	NUT, HEX NC PL, 1/4, GR8
5	1570038	1	WASHER, FLAT SAE, 1/4
6	3200268	1	PLATE, INNER FILTER, VERTICAL
7	3600037	1	ELEMENT, FILTER, PAPER
8	3600046	1	KIT, REGULATOR
9	3600066	1	COVER, AIR FILTER, PLASTIC
10	4900045	1	PLUG
11	5830002	1	O-RING, VITON, 2 3/8 ID X 3/32
12	5830070	1	O-RING, VITON, 2 9/16 ID X 3/32
13	5830129	1	O-RING, VITON, 1 7/8 ID X 1/8
14	9200413	1	INLET VALVE REAR SEAT

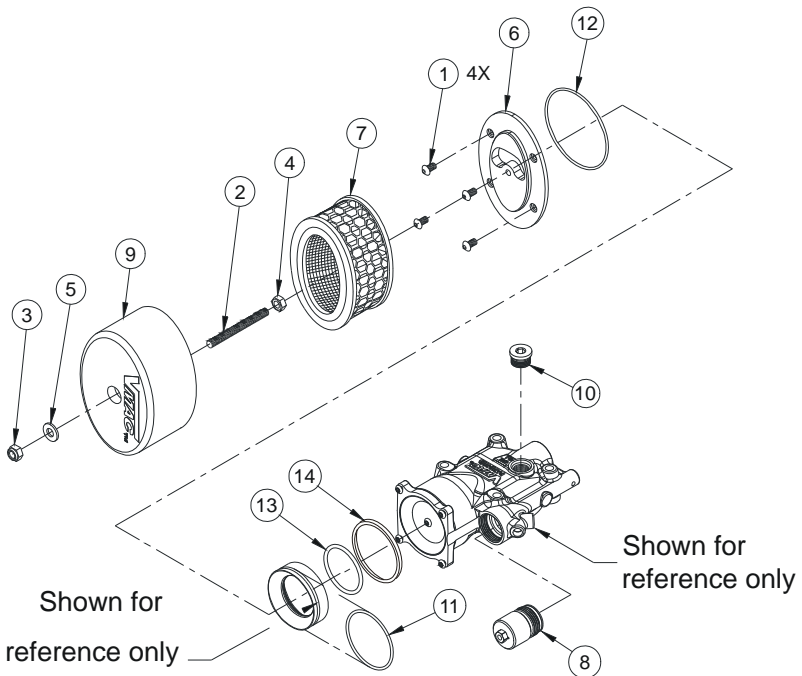


Figure 6 – Inlet Valve Sub Components

VMAC – Vehicle Mounted Air Compressors

Toll Free: 1-888-241-2289

Local: 1-250-740-3200

Fax: 1-250-740-3201

6 - Main Bracket Assembly, 4800518

Item #	Part #	Qty	Description
1	1100180	1	BRACKET, MAIN
2	1200545	1	BRACKET, TENSIONER, V900110
3	3300036	1	TENSIONER 7C3E-6B209-CD
4	1300031	1	IDLER, SERP, BACK, FLANGE, 90MM
5	1300030	1	IDLER, SERP, 6 RIB, FLANGE, 90MM STEEL
6	1520563	5	BOLT, HHCS, FLHD, M10 X 1.50 X 25

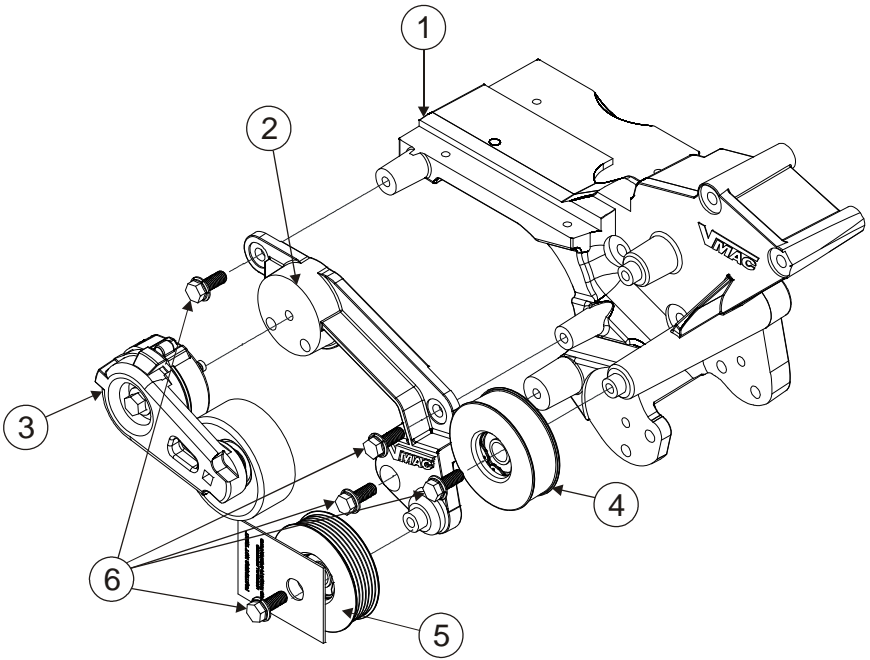


Figure 7 – Main Bracket Assembly

7 - VR70 Tank, 9200430

Item #	Part #	Qty	Description
1	1510086	6	BOLT, HHCS NC G5 FL LK, 3/8 X 1
2	1510522	2	BOLT, HHCS NC G8 FL LK PL, 1/4 X 1/2
3	3200231	1	COVER, SIGHT GLASS
4	3600064	1	SEAL, TANK REAR CAP
5	3600090	1	THIMBLE, SCREEN
6	4900033	1	CONNECTOR, STEEL NPT-JIC, 3/4-3/4
7	4900035	1	NIPPLE, STEEL STR THRD, 3/4 - 16
8	4900106	1	PLUG, STEEL, #5 ORB, HEX
9	5000020	1	ELBOW, BRASS NPT-POLY, 1/8-1/4"
10	5000089	1	CONNECTOR, BRASS NPT-SAE, 3/8 - 1/2
11	5000165	1	ELBOW,90, BRASS NPT-POLY, 1/8-3/16"
12	5000160	1	ADAPTER, BRASS, 1/8-1/8 NPT
13	A700152	1	ELEMENT, SEP, COALESCING
14	5830066	1	O-RING, VITON, 4 3/4 ID X 1/8
15	5840069	1	SPRING, COMPRESSION, FL 1.5",OD .54
16	9200039	1	OIL FILTER, VR 3.250 SHORT
17	9200437	1	ASSEMBLY, BLOWDOWN CAP
17.1	3600054	1	VALVE, SAFETY, 3/8, 200 PSI
17.2	4500104	1	MUFFLER, SINTERED EXHAUST, 1/8"
18	9200378	1	TANK, OIL SEPARATOR
19	A700061	1	SIGHT GLASS ASSEMBLY

VMAC – Vehicle Mounted Air Compressors

Toll Free: 1-888-241-2289

Local: 1-250-740-3200

Fax: 1-250-740-3201

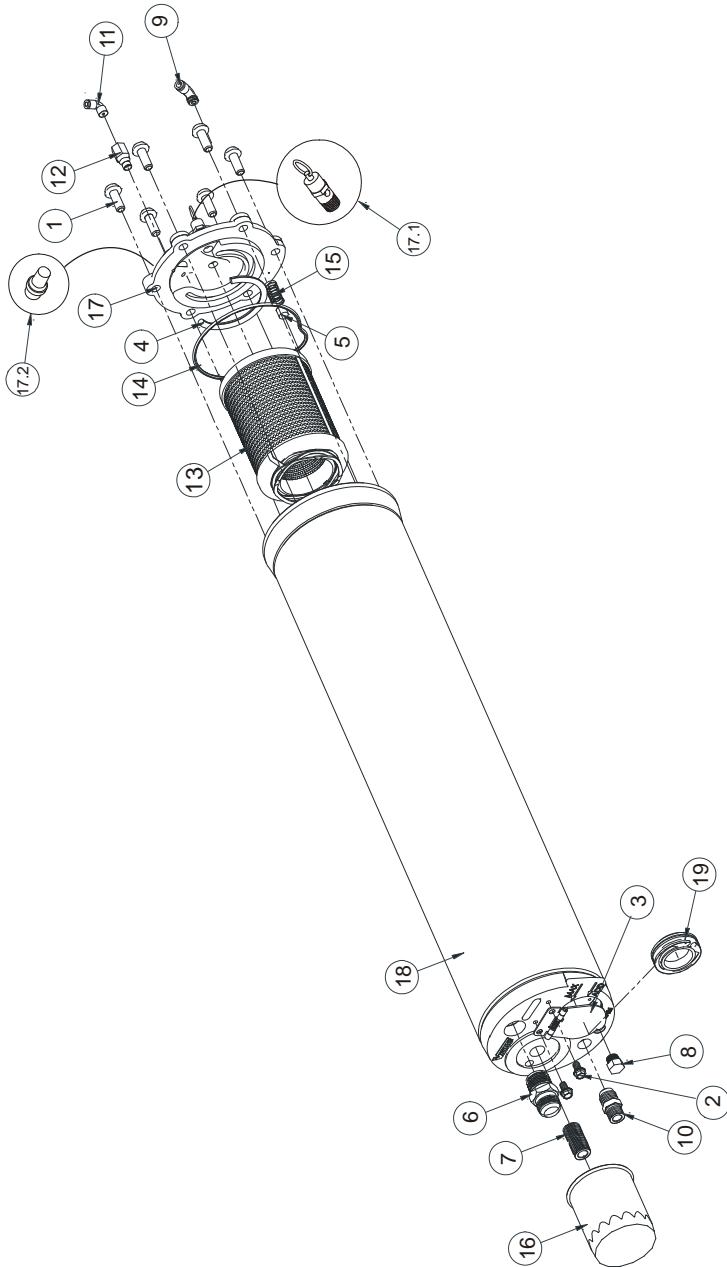


Figure 8 - VR70 Tank

8 - Cooler Assembly, 4800486

Item #	Part #	Qty	Description
1	1200516	1	BRACKET, COOLER MOUNT
2	1200517	2	DRILLED PLATE
3	1520129	4	BOLT, HHCS G10.9, M10 X 1.5 X 110
4	1520563	2	BOLT, HHCS, FLHD, M10 X 1.50 X 25
5	1570044	4	WASHER, ALLOY PL SAE, 3/8
6	9200424	1	COOLER

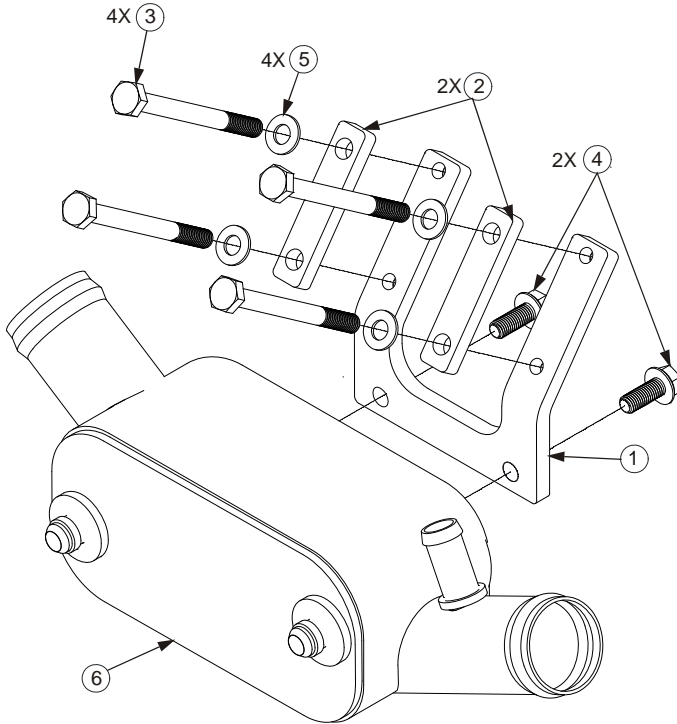


Figure 9 - Cooler Assembly

VMAC – Vehicle Mounted Air Compressors

Toll Free: 1-888-241-2289

Local: 1-250-740-3200

Fax: 1-250-740-3201