

Illustrated Parts List for VMAC System V900105

2007 Ford F650-F750 7.2L Caterpillar C7 Inter-cooled Diesel

1 - Kit Pack List, V900105.....	2
2 - Fastener Pack, 3800538.....	4
3 - Compressor Assembly, P120104	8
4 - Compressor Sub Components, P120004.....	10
5 - Inlet Valve Sub Components, 9200420	11
6 - VR70 Tank, 9200380	12
7 - Main Bracket Assembly, 4800474	14
8 – Cooler assembly 4800422	15

Document 1930128

Changes and Revisions

Version	Revision Details	Revised	Approved	Implemented
-	New	IB 28 Sept 06	SM 10 Oct 06	12 Oct 06
A	ECN 06-220 coal. spring	IB 22 Apr 2007	SH 23 Apr 2007	27 Apr 2007

VMAC – Vehicle Mounted Air Compressors

Toll Free: 1-800-738-8622

Local: 1-250-740-3200

Fax: 1-250-740-3201

1 - Kit Pack List, V900105

Item #	Part #	Qty	Description
1	1200332	2	BACKING STRAP, 3/8
2	1200510	2	BRACKET, TANK MOUNT
3	1610340	1	BELT, K061020
4	1710663	1	HOSE, FUEL 1/2" X 23.5" (1700310)
5	1710721	1	HOSE, FUEL 1/2" X 27" (1700310)
6	1720596	1	TUBE, COOLANT
7	1720597	1	TUBE, COOLANT
8	1730147	1	HOSE, CRIMPED, 1/4" X 147"
9	1740142	1	HOSE, CRIMPED, 5/16" X 142"
10	1752064	1	HOSE, CRIMPED, 1/2" X 64"
11	1752131	1	HOSE, CRIMPED, 1/2" X 131"
12	1780101	1	HOSE, CRIMPED, 1" X 101"
13	1800167	1	CRANK PULLEY, FORD 3126 CAT
14	1930060	1	MANUAL, OWNERS GENERIC, VR70 & 140
15	1930127	1	MANUAL, INSTALL, V900105
16	1930128	1	ILLUSTRATED PARTS LIST, V900105
17	2200105	2	CLAMP, MOUNTING BRACKET C, 6
18	3550722	1	VR CONTROL BOX, 96.0" TEMP.
19	3550738	1	INTERFACE CABLE, V900105
20	3560203	1	VRTC, V900105
21	3800600	1	FAST PACK, V900105
22	4800413	1	SYSTEM OPERATION INSTRUCTION AND I.D.
23	4800422	1	ASSEMBLY, COOLER
24	4800474	1	ASSEMBLY, MAIN BRACKET
25	9200380	1	TANK, VR70 DRESSED INT OIL FILTER
26	A700091	1	OIL, VR, 1L, HIGH PERFORMANCE
27	A700094	1	OIL, VR, 4L, HIGH PERFORMANCE
28	P120104	1	COMPRESSOR ASSEMBLY, V900105

VMAC – Vehicle Mounted Air Compressors

Toll Free: 1-800-738-8622

Local: 1-250-740-3200

Fax: 1-250-740-3201

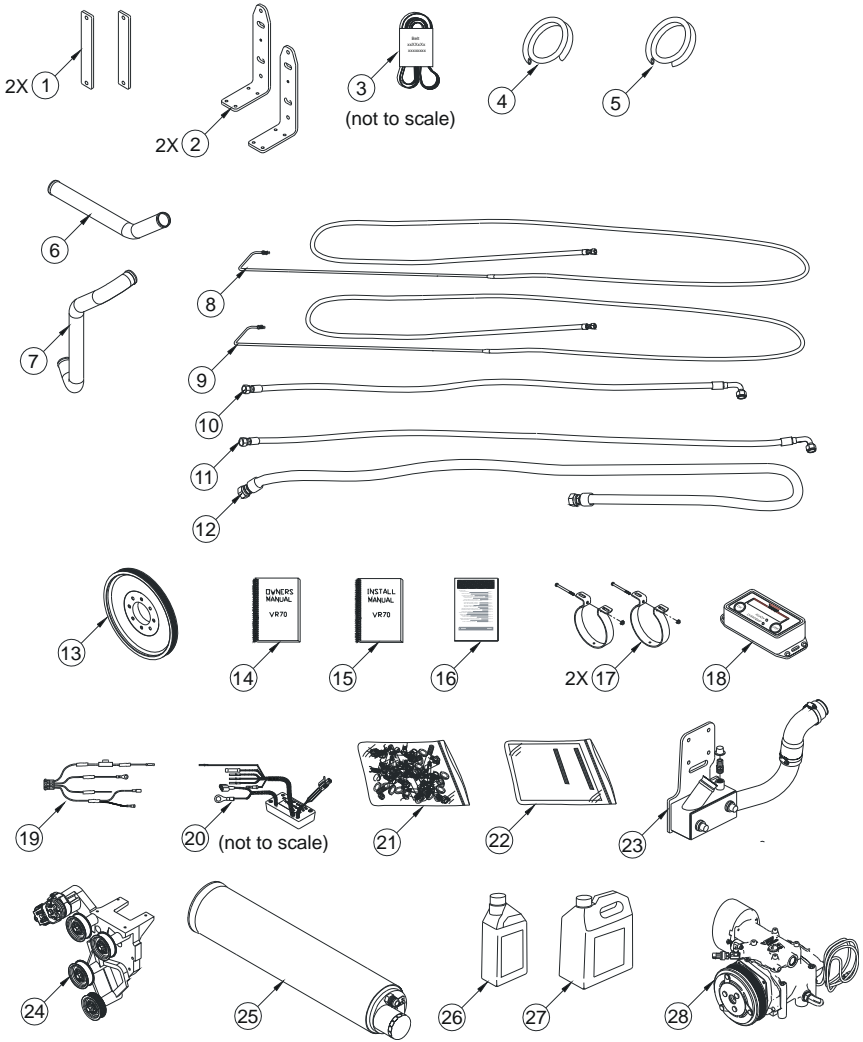


Figure 1 - Kit Pack List

VMAC – Vehicle Mounted Air Compressors

Toll Free: 1-800-738-8622

Local: 1-250-740-3200

Fax: 1-250-740-3201

2 - Fastener Pack, 3800538

Item #	Part #	Qty	Description
1	3800491	1	FASTENER PACK, CRANK PULLEY
1.1	1520116	6	BOLT, HHCS G10.9, M10 X 1.5 X 100
1.2	1570044	6	WASHER, ALLOY PL SAE, 3/8
1.3	4800482	1	ADAPTOR, PULLEY ASSEMBLY
2	3800493	1	FASTENER PACK, COOLER
2.1	1520562	4	BOLT, HHCS G8.8, M14 X 2.0 X 30
2.2	1570308	4	WASHER, FLAT PL, 1/2
2.3	2200158	2	CLAMP, HOSE HS40
3	3800494	1	FASTENER PACK, COOLANT BOTTLE
3.1	1200434	1	BLOCK, LOWER COOLANT BOTTLE
3.2	1200435	1	BRACKET, UPPER COOLANT BOTTLE
3.3	1520513	2	BOLT, HHCS G10.9, M8 X 1.25 X 30
3.4	1520547	4	BOLT, HHCS G10.9, M8 X 1.25 X 16
3.5	1570067	4	WASHER, SAE, 5/16
4	3800495	1	FASTENER PACK, HOSE
4.1	1200448	1	BRACKET, COOLANT TUBE
4.2	1520203	1	BOLT, HHCS G10.9, M8X1.25X25 FULL
4.3	1520513	2	BOLT, HHCS G10.9, M8 X 1.25 X 30
4.4	1560407	1	NUT, NYLOCK, M8
4.5	1560508	2	NUT, W/DBL SER WASHER, M8 X 1.25
4.6	1570067	1	WASHER, SAE, 5/16
4.7	1700558	1	HOSE, RAD
4.8	1710592	1	HOSE, HEATER, 3/4 X 48" (1700177)
4.9	1710667	1	HOSE, 3/8" X 40" (1700030)
4.10	1710668	1	HOSE, RAD MODIFIED
4.11	2200001	2	CLAMP, HOSE MH-6
4.12	2200027	5	CLAMP, HOSE HS32
4.13	2200048	4	CLAMP, HOSE HS12
4.14	2200147	1	CLAMP, C R.I., 2"
4.15	2200158	1	CLAMP, HOSE HS40
4.16	5300043	1	CONNECTOR, TEE NYLON, 3/4

VMAC – Vehicle Mounted Air Compressors

Toll Free: 1-800-738-8622

Local: 1-250-740-3200

Fax: 1-250-740-3201

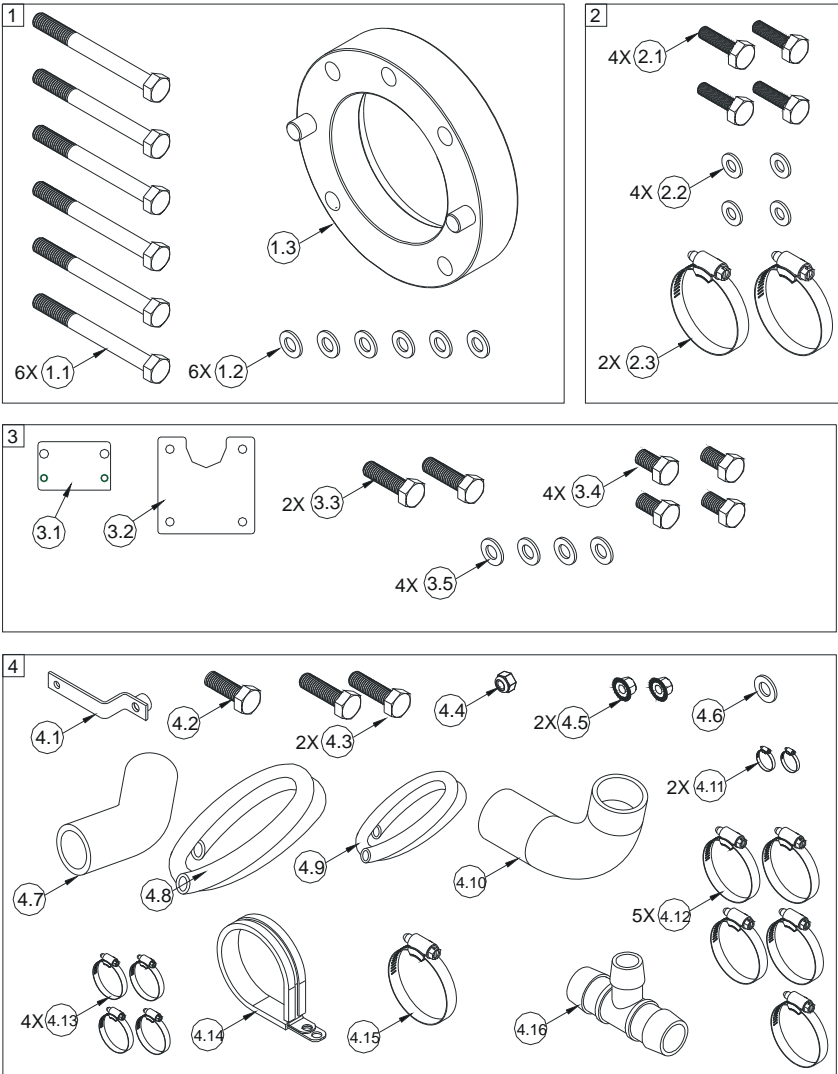


Figure 2 – Fastener Packs

VMAC – Vehicle Mounted Air Compressors

Toll Free: 1-800-738-8622

Local: 1-250-740-3200

Fax: 1-250-740-3201

Fastener Pack, 3800583 (Cont.)

Item #	Part #	Qty	Description
5	3800506	1	FASTENER PACK, TANK
5.1	1510530	4	BOLT, HHCS NC G8 PL, 1/2 X 5
5.2	1520513	4	BOLT, HHCS G10.9, M8 X 1.25 X 30
5.3	1550103	4	NUT, PREVAILING TORQUE NC, 1/2
5.4	1560407	4	NUT, NYLOCK, M8
5.5	1570067	8	WASHER, SAE, 5/16
5.6	1570102	4	WASHER, FLAT SAE, 1/2
6	3800590	1	FAST PACK, MAIN BRACKET
6.1	1520538	1	BOLT, HHCS, FLHD, M10 X 1.50 X 35
6.2	1520540	1	BOLT, HHCS, FLHD, M10 X 1.50 X 55
6.3	1520552	2	BOLT, HHCS, FLHD, M10 X 1.50 X 60
7	3800597	1	FAST PACK, WIRING LOOM
7.1	1700029	1	LOOM, SPLIT PLASTIC, 1/2, 200"
7.2	1700068	1	LOOM, SPLIT PLASTIC, 1/4, 72"
7.3	2200039	20	TIE, NYLON MD, 7"
8	3800601	1	FAST PACK, AIR CLEANER
8.1	1200513	1	BLOCK, AIR CLEANER MOUNT
8.2	1400289	1	SPACER, AIR CLEANER
8.3	1520147	3	BOLT, HHCS G8.8, M8 X 1.25 X 20 FULL
8.4	1540204	3	BOLT, SHCS, M8 X 1.25 X 25
8.5	1570067	3	WASHER, SAE, 5/16
9	3800602	1	FAST PACK, FAN
9.1	3400057	1	SPACER, FAN
10	3800603	1	FAST PACK, FUEL FILTER V900105
10.1	1540209	2	BOLT, SHCS, M10 X 1.5 X 35
10.2	1570044	2	WASHER, ALLOY PL SAE, 3/8

VMAC – Vehicle Mounted Air Compressors

Toll Free: 1-800-738-8622

Local: 1-250-740-3200

Fax: 1-250-740-3201

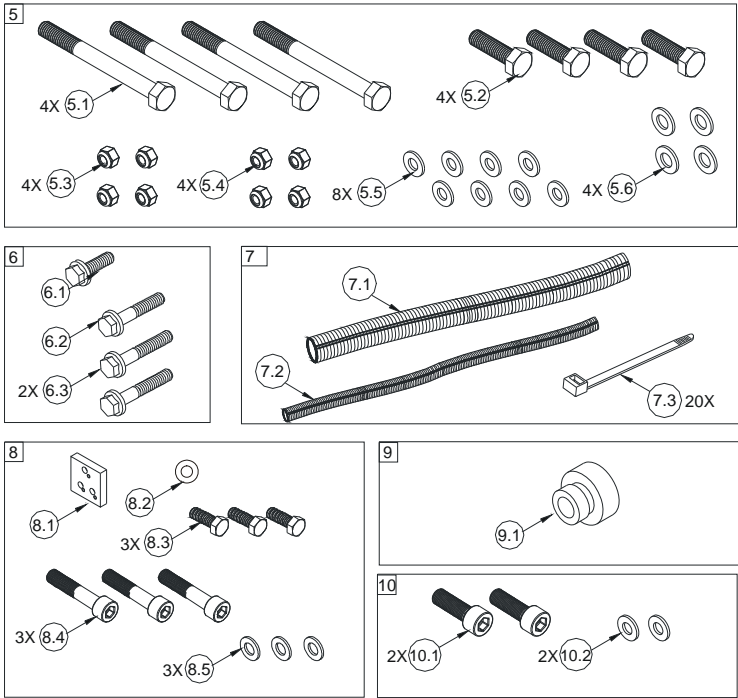


Figure 2 – Fastener Packs (Cont.)

3 - Compressor Assembly, P120104

Item #	Part #	Qty	Description
1	1540521	4	BOLT, SHCS, M8 X 1.25 X 110
2	1540530	2	BOLT, SHCS, M8 X 1.25 X 55, G12.9
3	1540550	2	BOLT, SHCS, M8 X 1.25 X 50, G12.9
4	3500288	1	SENSOR, PRESSURE
5	4300076	2	PIPE FTG, PLUG SKT HEAD, 1/8
6	4900002	1	ELBOW, STEEL JIC/O-RING, 1/2 3/4-16
7	4900045	1	PLUG, STEEL HEX SAE/O-RING PORT
8	5000064	1	ELBOW, BRASS PIPE-TUBE, 1/4-1/8
9	5000081	1	ELBOW, BRASS NPT-TUBE, 1/8-5/16
10	5000121	1	TEE, STREET, EXTRUDED, 1/8
11	5000160	1	ADAPTER, BRASS, 1/8 X 1/8
12	5830004	1	O-RING, VITON, 3 1/8 ID X 1/8
13	5830005	1	O-RING, VITON, 11/16 ID X 3/32
14	9200420	1	INLET VALVE, BASIC INTEGRATED REG.
15	P120004	1	VR70 COMPRESSOR ASSEMBLY

VMAC – Vehicle Mounted Air Compressors

Toll Free: 1-800-738-8622

Local: 1-250-740-3200

Fax: 1-250-740-3201

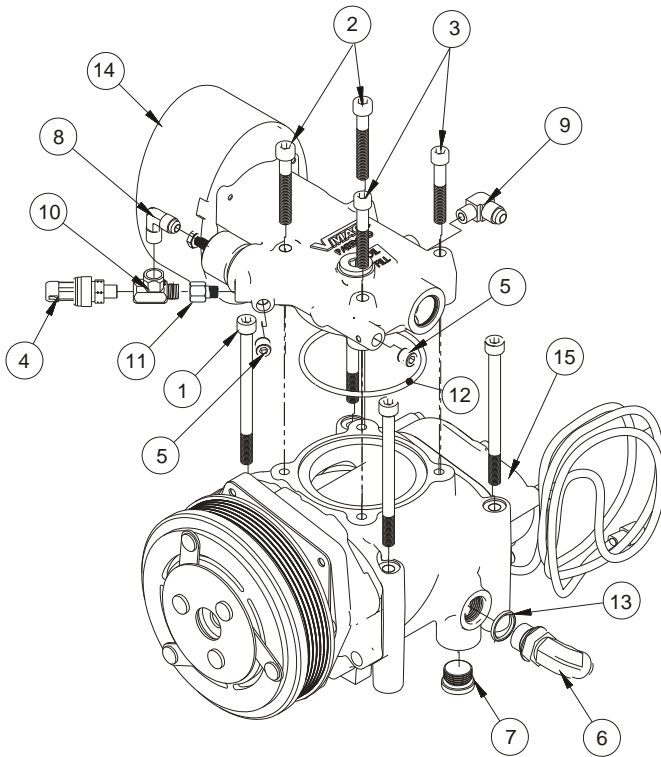


Figure 3 – Compressor Assembly

VMAC – Vehicle Mounted Air Compressors

Toll Free: 1-800-738-8622

Local: 1-250-740-3200

Fax: 1-250-740-3201

4 - Compressor Sub Components, P120004

Item #	Part #	Qty	Description
1	3550682	1	TEMPERATURE PROBE
2	4900096	1	CONNECTOR, STEEL, 14 ORB - 12 JIC
3	P200035	1	CLUTCH COMPLETE 6 GROVE

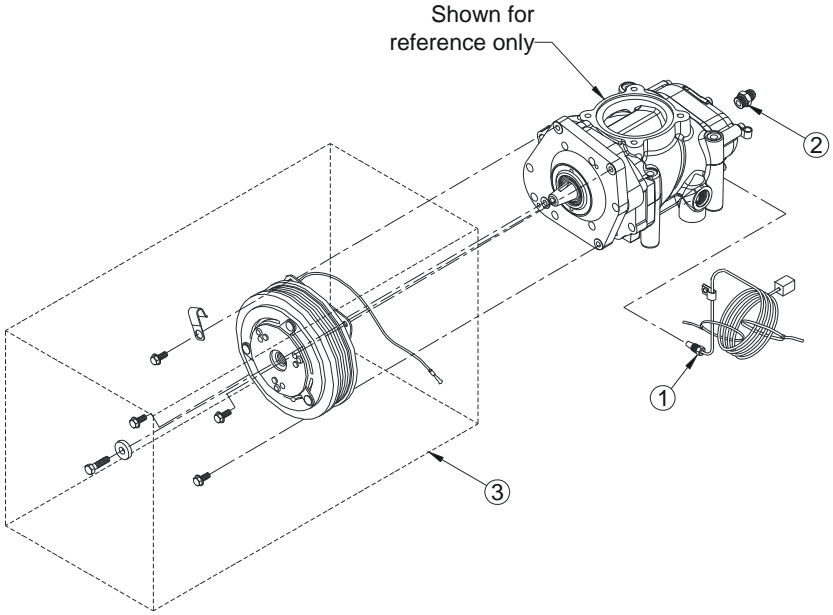


Figure 4– Compressor Sub Components

VMAC – Vehicle Mounted Air Compressors

Toll Free: 1-800-738-8622

Local: 1-250-740-3200

Fax: 1-250-740-3201

5 - Inlet Valve Sub Components, 9200420

Item #	Part #	Qty	Description
1	1500077	4	SCREW, BUTTON HEAD, 10 - 32 X 3/8
2	1500519	1	ROD, THREADED, 1/4 X 2.62
3	1550029	1	NUT, NYLOCK NC, 1/4
4	1550221	1	NUT, HEX NC PL, 1/4, GR8
5	1570038	1	WASHER, FLAT SAE, 1/4
6	3200268	1	PLATE, INNER FILTER, VERTICAL
7	3600037	1	ELEMENT, FILTER, PAPER
8	3600046	1	KIT, REGULATOR
9	3600066	1	COVER, AIR FILTER, PLASTIC
10	4900045	1	PLUG
11	5830002	1	O-RING, VITON, 2 3/8 ID X 3/32
12	5830129	1	O-RING, VITON, 1 7/8 ID X 3/16
13	5830070	1	O-RING, VITON, 2 9/16 ID X 3/32

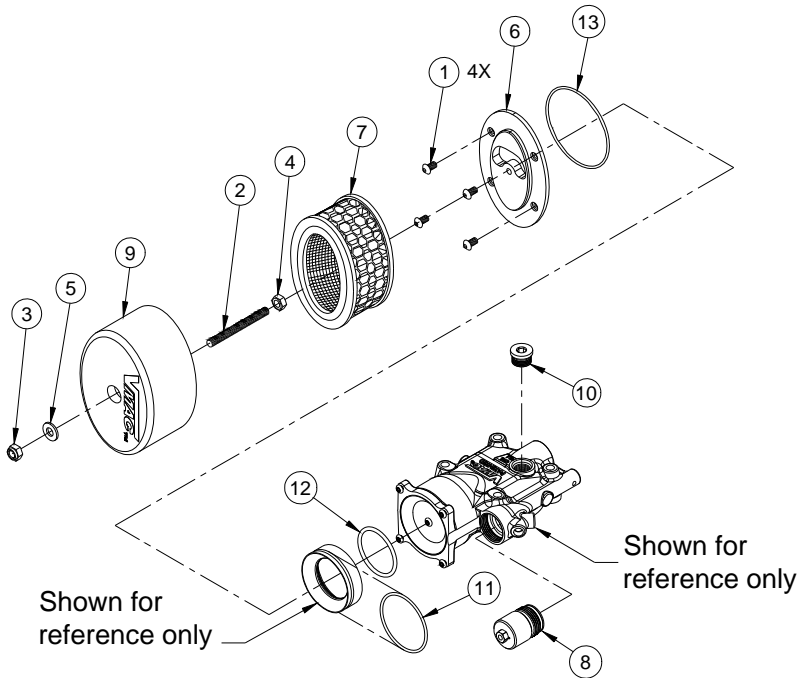


Figure 5 – Inlet Valve Sub Components

VMAC – Vehicle Mounted Air Compressors

Toll Free: 1-800-738-8622

Local: 1-250-740-3200

Fax: 1-250-740-3201

6 - VR70 Tank, 9200380

Item #	Part #	Qty	Description
1	1510086	6	BOLT, HHCS NC G5 FL LK, 3/8 X 1
2	1510522	2	BOLT, HHCS NC G8 FL LK PL, 1/4 X 1/2
3	3200231	1	COVER, SIGHT GLASS
4	3600036	1	ELEMENT, SEP, COALESING
5	3600064	1	SEAL, TANK REAR CAP
6	3600090	1	THIMBLE, SCREEN
7	4900033	1	CONNECTOR, STEEL NPT-JIC, 3/4-3/4
8	4900035	1	NIPPLE, STEEL STR THRD, 3/4 - 16
9	4900106	1	PLUG, STEEL, #5 ORB HEX
10	5000089	1	CONNECTOR, BRASS NPT-SAE, 3/8 - 1/2
11	5830066	1	O-RING, VITON, 4 3/4 ID X 1/8
12	5840069	1	SPRING, COMPRESSION, FL 1.5", OD .54
13	5840078	1	SPRING, WAVE
14	9200039	1	OIL FILTER, VR 3.250 SHORT
15	9200364	1	ASSEMBLY, BLOWDOWN CAP
15.1	3600054	1	VALVE, SAFETY 200 PSI
15.2	4500104	1	MUFFLER, SINTERED EXHAUST
16	A700061	1	SIGHT GLASS ASSEMBLY

VMAC – Vehicle Mounted Air Compressors

Toll Free: 1-800-738-8622

Local: 1-250-740-3200

Fax: 1-250-740-3201

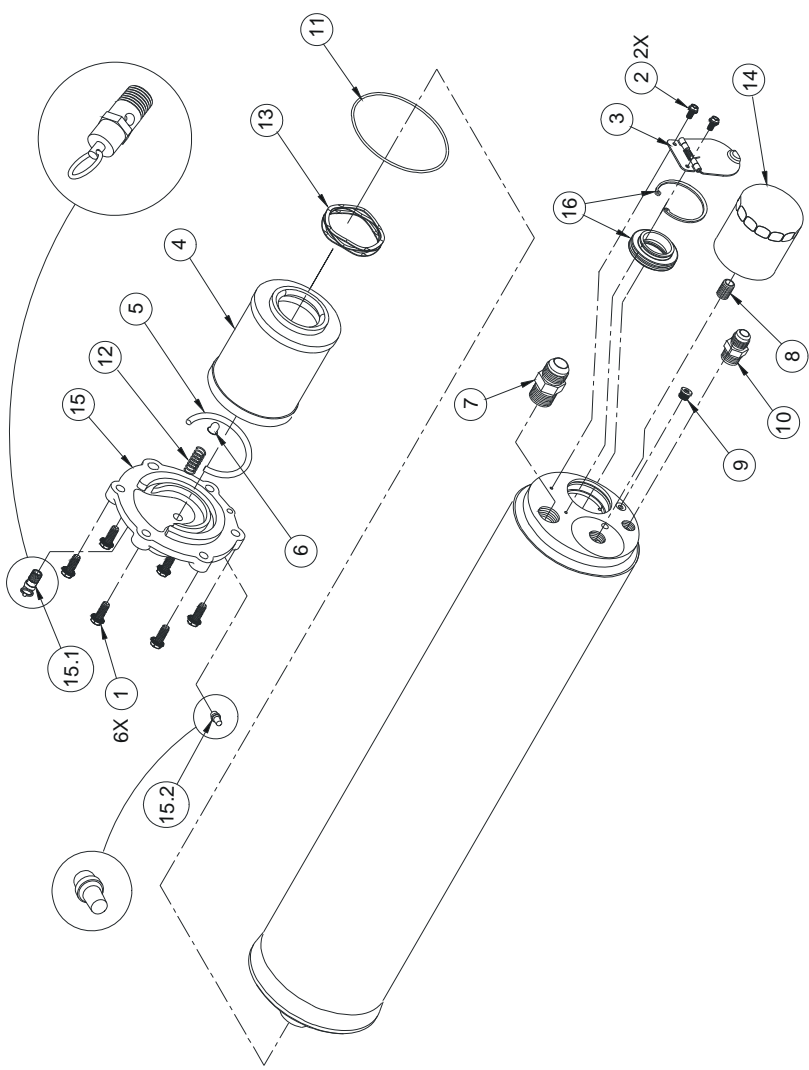


Figure 6 - VR70 Tank

7 - Main Bracket Assembly, 4800474

Item #	Part #	Qty	Description
1	1100172	1	BRACKET, MAIN V900088
2	1300030	1	IDLER, SERP,6 RIB,FLANGE,90MM STEEL
3	1300031	3	IDLER, SERP, BACK,FLANGE,90MM STEEL
4	1400051	4	SPACER, IDLER - BOLT
5	1510161	4	BOLT, HHCS NC G8 FL, 1/2 X 1 1/4
6	1520210	1	BOLT, HHCS G10.9, M10 X 1.5 X 80
7	1570044	1	WASHER, ALLOY PL SAE, 3/8
8	2600112	1	TENSIONER, MODIFIED, (3300024)

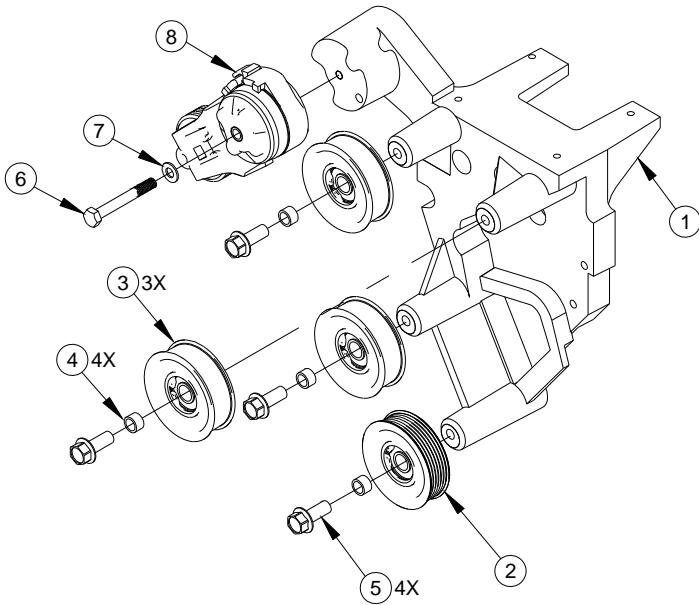


Figure 7 – Main Bracket Assembly

VMAC – Vehicle Mounted Air Compressors

Toll Free: 1-800-738-8622

Local: 1-250-740-3200

Fax: 1-250-740-3201

8 – Cooler assembly 4800422

Item #	Part #	Qty	Description
1	1700554	1	HOSE, DAYCO #70902
2	2200158	2	CLAMP, HOSE, HS40
3	5000113	1	CONNECTOR, BRASS, NPT-HOSE, 1/2-3/4
4	9200382	1	COOLER, V900105

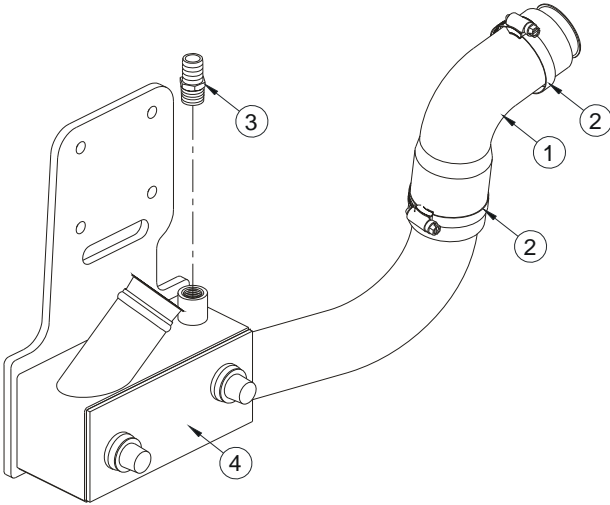


Figure 8 – Cooler Assembly

VMAC – Vehicle Mounted Air Compressors

Toll Free: 1-800-738-8622

Local: 1-250-740-3200

Fax: 1-250-740-3201