

Illustrated Parts List for VMAC System V900091

FORD 6.8 L TRITON V10 F250 - F550 2008

1 - Kit Pack List	2
2 - Fastener Pack, 3800633.....	4
2 - Fastener Pack, 3800633 (cont.)	6
3 - Compressor Assembly, P120114	7
4 - Compressor Sub Components, P120002.....	9
5 - Inlet Valve Sub Components, 9200420	10
6 - Main Bracket Assembly, 4800495	11
7 - Tank Mount Strap Assembly, 4800509.....	12
8 - VR70 Tank, 9200430	13
9 - Cooler Assembly, 4800494.....	15

Document 1930138 Changes and Revisions

Version	Revision Details	Revised by/date	Approved by/date	Implemented
0	New Manual	IB 11 May 2007	BC 25 May 2007	28 May 2007
A	ECN 07-103 cooler	IB 5 June 2007	RD 12 July 2007	16 July 2007
B	ECN 07-145	IB 12 Oct 2007	MH 19 Nov 2007	23 Nov 2007
C	ECN 08-009	SL 13 Feb 2008	SH 14 Feb 2008	14 Feb 2008
D	ECN 08-067 – New belt	SL 16 April 2008	PD 21 April 2008	21 April 2008

VMAC – Vehicle Mounted Air Compressors

Toll Free: 1-800-738-8622

Local: 1-250-740-3200

Fax: 1-250-740-3201

1 - Kit Pack List

Item #	Part#	Qty	Description
1	1200299	1	CLIP, TANK MOUNT
2	1200526	1	BRACKET, ABS ASSY.
3	1630205	1	BELT, 4060872
4	1710731	1	HOSE, COOLANT 1" X 77" (1700034)
5	1752045	1	HOSE, CRIMPED, 1/2" X 45"
6	1752083	1	HOSE, CRIMPED, 1/2" X 83"
7	1771081	1	HOSE, CRIMPED, 3/4" X 81"
8	1800203	1	PULLEY, CRANK TRITON V10 6.8L
9	1900891	1	INSTRUCTIONS, FORD V10 CRANK PULLEY
10	1930060	1	MANUAL, OWNERS GENERIC, VR70 & 140
11	1930137	1	MANUAL, INSTALLATION
12	1930138	1	ILLUSTRATED PARTS LIST
13	2200105	2	CLAMP, MOUNTING BRACKET C, 6
14	3550710	1	INTERFACE CABLE
15	3550723	1	VR CONTROL BOX, 132.0 TEMP
16	3560094	1	THROTTLE, VR, FORD 6.8L 2005
17	3800633	1	FAST PACK
18	4800509	2	STRAP, TANK MOUNT ASSY
19	4800413	1	SYSTEM OPERATION INSTRUCTION AND ID
20	4800494	1	ASSEMBLY, COOLER
21	4800495	1	BRACKET, IDLER, ASSEMBLY
22	9200430	1	TANK, VR70 DRESSED INT OIL FILTER
23	A700091	1	OIL, VR, 1L, HIGH PERFORMANCE
24	A700094	1	OIL, VR, 4L, HIGH PERFORMANCE
25	P120114	1	COMPRESSOR ASSEMBLY

VMAC – Vehicle Mounted Air Compressors

Toll Free: 1-800-738-8622

Local: 1-250-740-3200

Fax: 1-250-740-3201

2 - Fastener Pack, 3800633

Item #	Part #	Qty	Description
1	3800249	1	FAST PACK, PULLEY
1.1	1520150	3	BOLT, HHCS G10.9, M10 X 1.5 X 70
1.2	1570044	3	WASHER, ALLOY PL SAE, 3/8"
2	3800637	1	FAST PACK, MAIN BRACKET
2.1	1520013	1	BOLT, HHCS G10.9, M10 X 1.5 X 35
2.2	1540521	3	BOLT, SHCS, M8 X 1.25 X 110
2.3	1540551	1	BOLT, SHCS, M16 X 2 X 70, G12.9
2.4	1570044	1	WASHER, ALLOY PL SAE, 3/8"
2.5	1570067	2	WASHER, SAE, 5/16"
3	3800522	1	FAST PACK, TANK
3.1	1400265	2	SPACER
4	3800632	1	FAST PACK, WIRING LOOM
4.1	1700029	1	LOOM, SPLIT PLASTIC, 1/2" X 36"
4.2	2200039	10	TIE, NYLON, MD 7
5	3800634	1	FAST PACK, HOSE
5.1	1710729	1	HOSE, TOP RAD (1700568)
5.2	1710730	1	HOSE, COOLANT MODIFIED
5.3	1710732	1	HOSE, HEATER 3/4" X 30" (1700574)
5.4	1710733	1	MODIFIED HOSE, COOLANT 1" MOULDED
5.5	1710734	1	MODIFIED HOSE, COOLANT 1" MOULDED
5.6	1720643	1	DIVERTER
5.7	1720646	1	TUBE, UPPER RAD
5.8	2200027	8	CLAMP, HOSE HS32
5.9	2200047	9	CLAMP, HOSE HS16
5.10	4900097	2	CONNECTOR, 1" X 1" OD POLY INSERT
5.11	5300019	1	CONNECTOR, MALE TO MALE, 3/4-3/4
6	3800635	1	FAST PACK, FAN
6.1	3400034	1	SPACER, FAN
7	3800636	1	FAST PACK, COOLANT BOTTLE
7.1	1200519	1	BRACKET ASSEMBLY
7.2	1500120	1	SCREW, TAP AND DRILL, 14-3/4"
7.3	1510028	1	BOLT, HHCS NC G8 PL, 1/4 X 3/4"
7.4	1540134	1	BOLT, SHCS, M8 X 1.25 X 30, G12.9
7.5	1550029	1	NUT, NYLOC NC, 1/4"
7.6	1550523	1	EXTRUDED U-NUT M8 x 1.25
7.7	1570305	1	WASHER, FLAT, G5, 5/16"
7.8	2200083	1	CLAMP, CRI, 1-1/4"

VMAC – Vehicle Mounted Air Compressors

Toll Free: 1-800-738-8622

Local: 1-250-740-3200

Fax: 1-250-740-3201

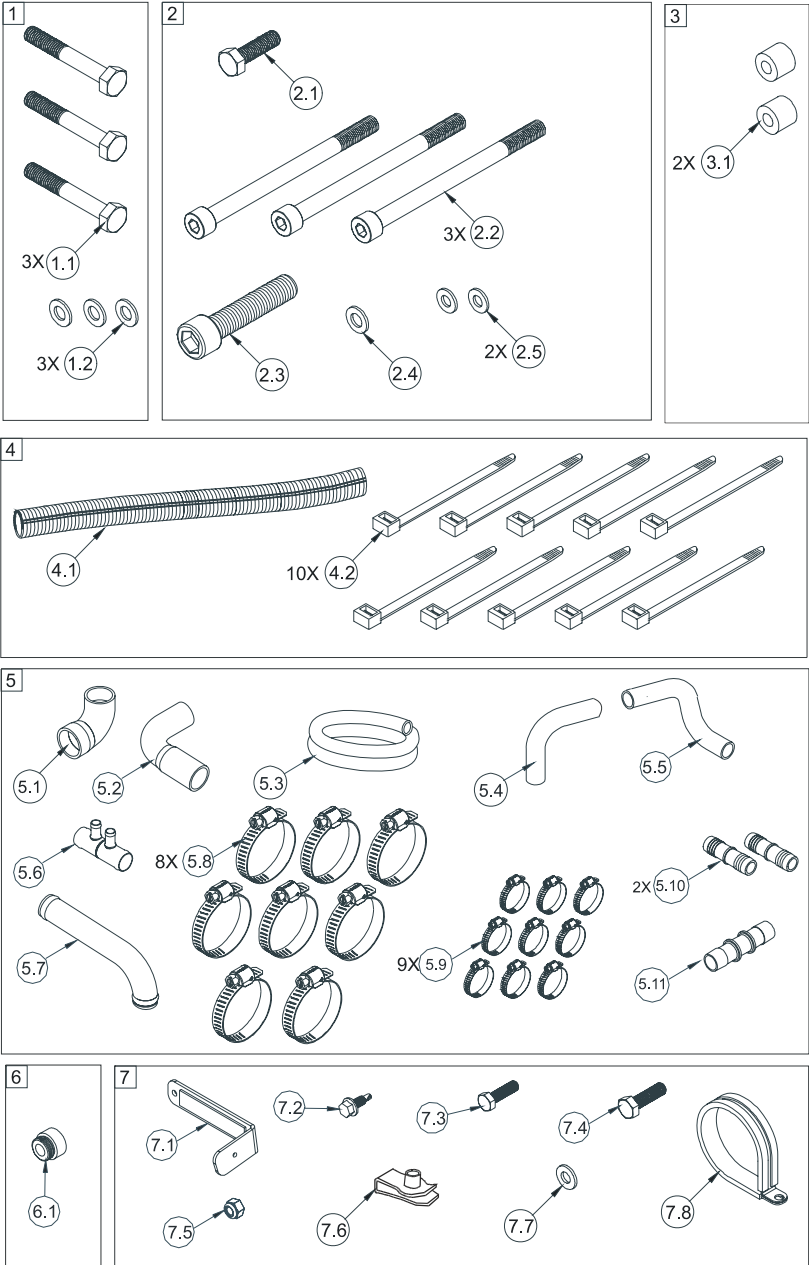


Figure 2 – Fastener Packs

2 - Fastener Pack, 3800633 (cont.)

Item #	Part #	Qty	Description
8	3800668	1	FASTENER PACK
8.1	1700570	127.5	TUBE, TEFLON, PTFE, 1/4"OD X 3/16"ID
8.2	1700571	116.5	TUBE, TEFLON,PTFE, 3/16"OD X 1/8"ID
8.3	1700581	116.5	LOOM, SPLIT PLASTIC, 1/4, HIGH TEMP
8.4	1700581	127.5	LOOM, SPLIT PLASTIC, 1/4, HIGH TEMP
8.5	2200039	10	TIE, NYLON MD, 7"

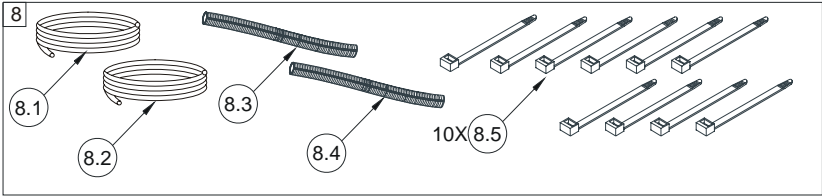


Figure 2 – Fastener Packs (cont.)

3 - Compressor Assembly, P120114

Item #	Part #	Qty	Description
1	1500399	3	STUD, M8 X 1.25 X 38
2	1540544	2	BOLT, SHCS, M8 X 1.25 X 75
3	1540553	2	BOLT, SHCS, M8 X 1.25 X 70
4	1560508	3	NUT, W/DBL SER WASHER, M8 X 1.25
5	1570482	1	WASHER
6	3200277	1	ADAPTOR, INLET VALVE MOUNT
7	3500288	1	SENSOR, PRESSURE
8	4300076	1	PIPE FTG, PLUG SKT HEAD, 1/8
9	4900002	1	ELBOW, STEEL JIC/O-RING, 1/2 3/4-16
10	5000020	1	ELBOW, BRASS NPT-POLY, 1/8-1/4"
11	5000162	1	CONNECT, BRASS NPT-POLY, 3/16-1/8 NPT
12	5830004	2	O-RING, VITON, 3 1/8 ID X 1/8
13	5830005	1	O-RING, VITON, 11/16 ID X 3/32
14	9200420	1	INLET VALVE, BASIC INTEGRATED REG.
15	P120002	1	COMPRESSOR, VR70

VMAC – Vehicle Mounted Air Compressors

Toll Free: 1-800-738-8622

Local: 1-250-740-3200

Fax: 1-250-740-3201

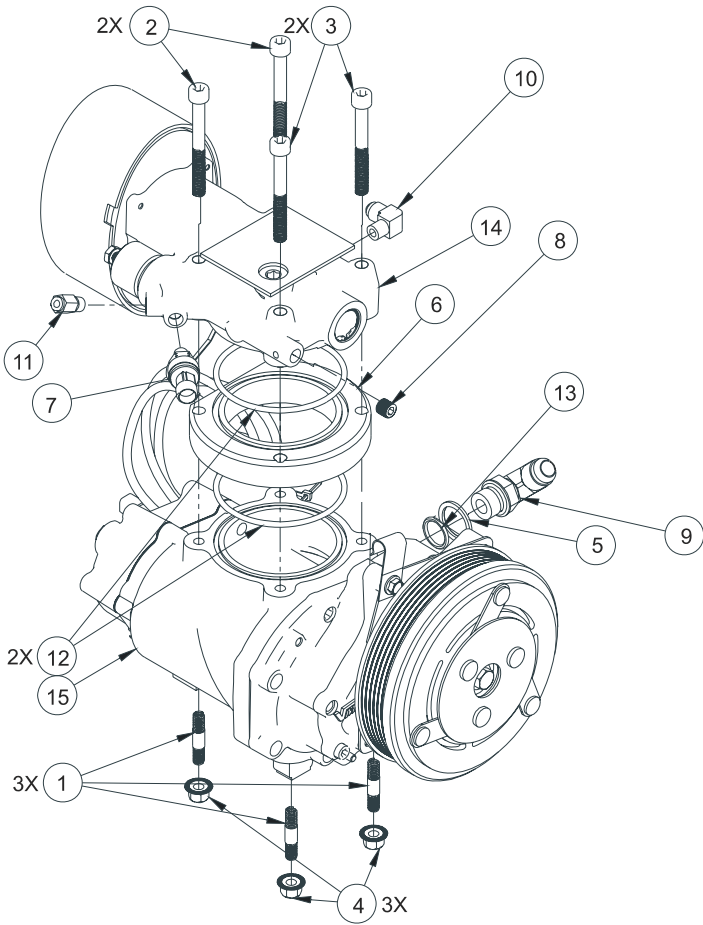


Figure 3 – Compressor Assembly

VMAC – Vehicle Mounted Air Compressors

Toll Free: 1-800-738-8622

Local: 1-250-740-3200

Fax: 1-250-740-3201

4 - Compressor Sub Components, P120002

Item #	Part #	Qty	Description
1	3550682	1	TEMPERATURE PROBE
2	P200035	1	CLUTCH COMPLETE 6 GROOVE

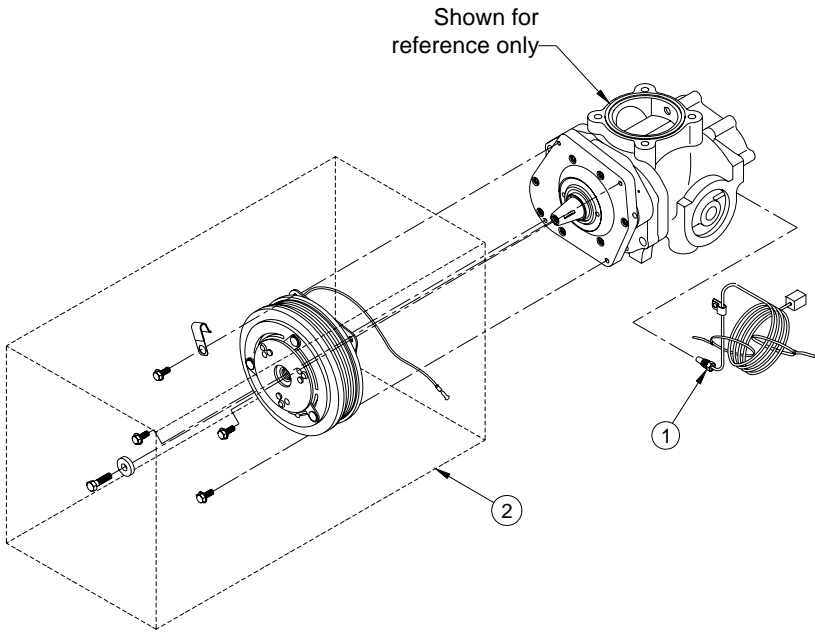


Figure 4– Compressor Sub Components

VMAC – Vehicle Mounted Air Compressors

Toll Free: 1-800-738-8622

Local: 1-250-740-3200

Fax: 1-250-740-3201

5 - Inlet Valve Sub Components, 9200420

Item #	Part #	Qty	Description
1	1500077	4	SCREW, BUTTON HEAD, 10 - 32 X 3/8
2	1500519	1	ROD, THREADED, 1/4 X 2.62
3	1550029	1	NUT, NYLOCK NC, 1/4
4	1550221	1	NUT, HEX NC PL, 1/4, GR8
5	1570038	1	WASHER, FLAT SAE, 1/4
6	3200268	1	PLATE, INNER FILTER, VERTICAL
7	3600037	1	ELEMENT, FILTER, PAPER
8	3600046	1	KIT, REGULATOR
9	3600066	1	COVER, AIR FILTER, PLASTIC
10	4900045	1	PLUG
11	5830002	1	O-RING, VITON, 2 3/8 ID X 3/32
12	5830129	1	O-RING, VITON, 1 7/8 ID X 3/16
13	5830070	1	O-RING, VITON, 2 9/16 ID X 3/32

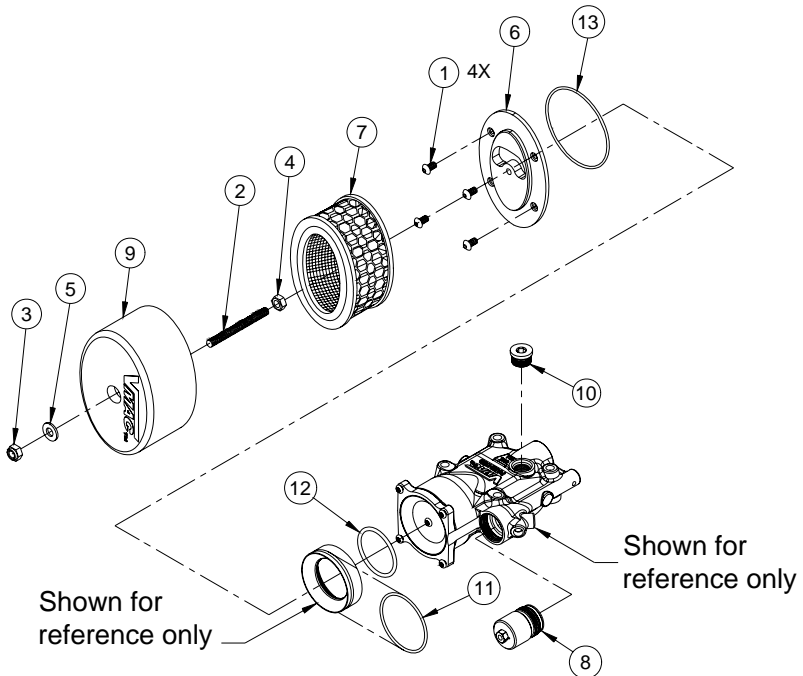


Figure 5 – Inlet Valve Sub Components

VMAC – Vehicle Mounted Air Compressors

Toll Free: 1-800-738-8622

Local: 1-250-740-3200

Fax: 1-250-740-3201

6 - Main Bracket Assembly, 4800495

Item #	Part #	Qty	Description
1	1100176	1	BRACKET, MAIN
2	1200459	1	BRACKET
3	1300031	3	IDLER, SERP, BACK, FLANGE, 90MM STEEL
4	1400051	3	SPACER, IDLER - BOLT
5	1510161	3	BOLT, HHCS NC G8 FL, 1/2 X 1 1/4
6	1520090	2	BOLT, HHCS G10.9, M10 X 1.5 X 30
7	1520565	1	BOLT, MODIFIED. HHCS NC G8 PL
8	1570044	3	WASHER, ALLOY PL SAE, 3/8
9	2600124	1	TENSIONER, MODIFIED

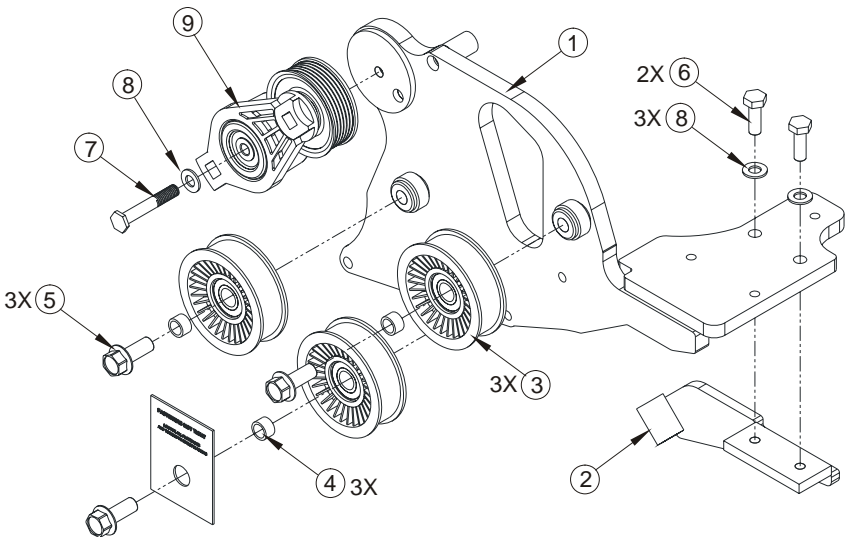


Figure 6 – Main Bracket Assembly

7 - Tank Mount Strap Assembly, 4800509

Item #	Part #	Qty	Description
1	1200236	1	BRACKET, STRAP, TANK MOUNT
2	1200266	1	BRACKET, TANK MOUNT CLIP
3	1200296	1	BRACKET, TANK MOUNT
4	1400162	1	SPACER, CABLE
5	1510349	2	BOLT, HHCS NC G8 PL, 5/16 X 1/2
6	1550066	2	NUT, HEX NC, 5/16
7	1570067	2	WASHER, SAE, 5/16
8	1570476	1	WASHER, 5/16 ID X 3/4 OD
9	2200120	1	STRAP, TANK CABLE, 17

Note: Two assemblies per kit

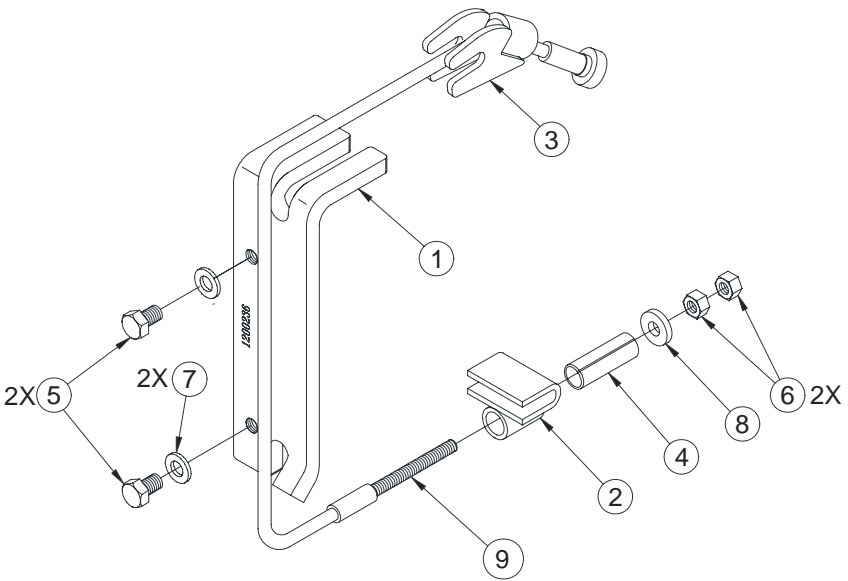


Figure 7 – Tank Mount Strap Assembly

VMAC – Vehicle Mounted Air Compressors

Toll Free: 1-800-738-8622

Local: 1-250-740-3200

Fax: 1-250-740-3201

8 - VR70 Tank, 9200430

Item #	Part #	Qty	Description
1	1510086	6	BOLT, HHCS NC G5 FL LK, 3/8 X 1
2	1510522	2	BOLT, HHCS NC G8 FL LK PL, 1/4 X 1/2
3	3200231	1	COVER, SIGHT GLASS
4	3600064	1	SEAL, TANK REAR CAP
5	3600090	1	THIMBLE, SCREEN
6	4900033	1	CONNECTOR, STEEL NPT-JIC, 3/4-3/4
7	4900035	1	NIPPLE, STEEL STR THRD, 3/4 - 16
8	4900106	1	PLUG, STEEL, #5 ORB, HEX
9	5000020	1	ELBOW, BRASS NPT-POLY, 1/8-1/4"
10	5000089	1	CONNECTOR, BRASS NPT-SAE, 3/8 - 1/2
11	5000165	1	ELBOW,90, BRASS NPT-POLY, 1/8-3/16"
12	5000170	1	FITTING, 3/8 TUBE- 1/8 NPT
13	5000171	1	FITTING, 7/16 TUBE- 1/8 NPT
14	5830066	1	O-RING, VITON, 4 3/4 ID X 1/8
15	5840069	1	SPRING, COMPRESSION, FL 1.5",OD .54
16	9200039	1	OIL FILTER, VR 3.250 SHORT
17	9200364	1	ASSEMBLY, BLOWDOWN CAP
17.1	3600054	1	VALVE, SAFETY, 3/8, 200 PSI
17.2	4500104	1	MUFFLER, SINTERED EXHAUST, 1/8"
18	9200378	1	TANK, OIL SEPARATOR
19	A700061	1	SIGHT GLASS ASSEMBLY
20	A700152	1	ELEMENT, SEP, COALESCING

VMAC – Vehicle Mounted Air Compressors

Toll Free: 1-800-738-8622

Local: 1-250-740-3200

Fax: 1-250-740-3201

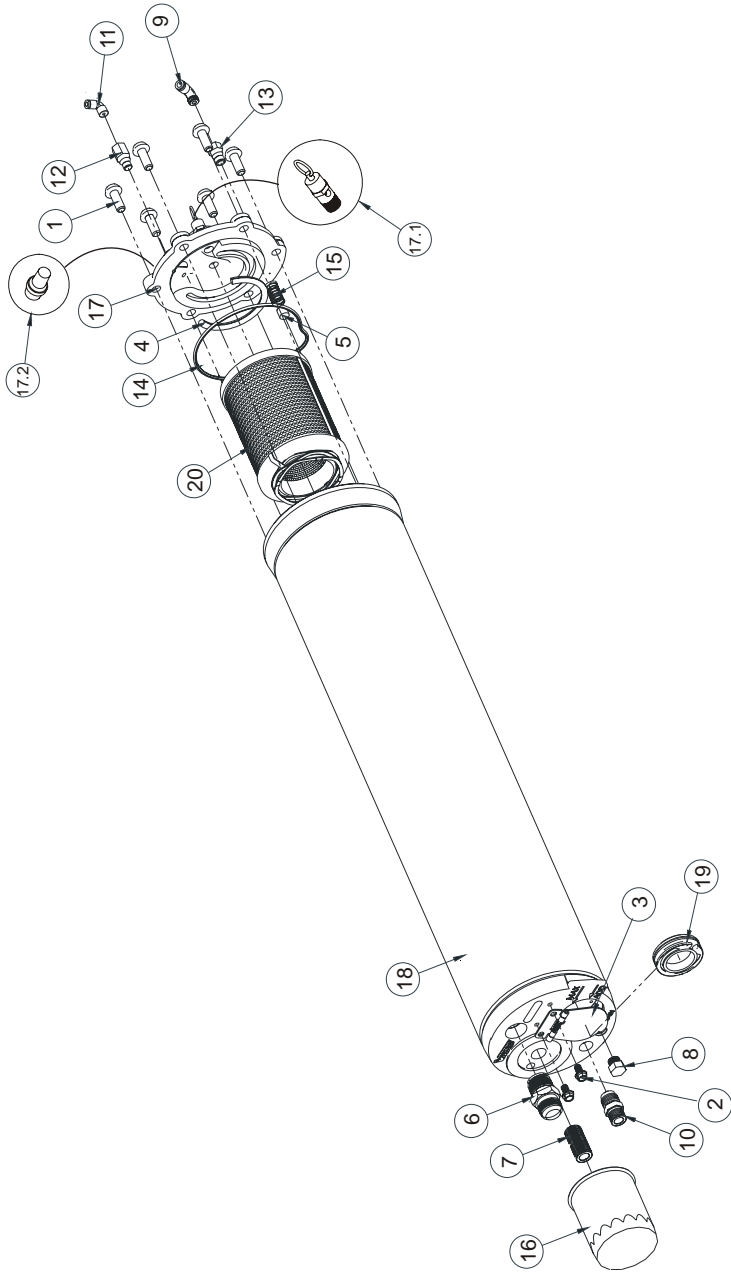


Figure 8 - VR70 Tank

VMAC – Vehicle Mounted Air Compressors

Toll Free: 1-800-738-8622

Local: 1-250-740-3200

Fax: 1-250-740-3201

9 - Cooler Assembly, 4800494

Item #	Part #	Qty	Description
1	1200517	2	DRILLED PLATE
2	1520129	4	BOLT, HHCS G10.9, M10 X 1.5 X 110
3	1570044	4	WASHER, ALLOY PL SAE, 3/8
4	9200425	1	COOLER WELDMENT

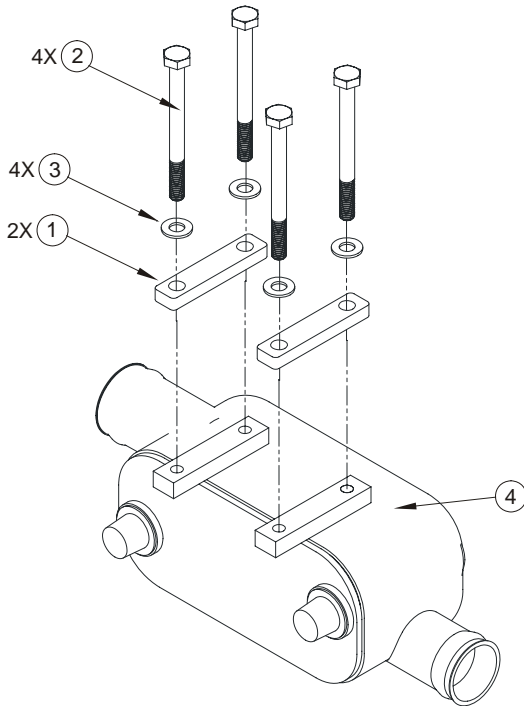


Figure 9 - Cooler Assembly