

# Illustrated Parts List for VMAC System V90090

## Ford 2008 F250-F550 6.4L Power Stroke Diesel

1 - Kit Pack List .....	2
2 - Fastener Pack, 3800607 .....	4
3 - Compressor Assembly, P120118 .....	6
4 - Compressor Sub Components, P120006 .....	8
5 - Inlet Valve Sub Components, 9200420 .....	9
6 - Main Bracket Assembly, 4800488 .....	10
7 - Pressure Transducer Assembly, 4800489 .....	11
8 - Tank Mount Strap Assembly, 4800514 .....	12
9 - VR70 Tank, 9200430 .....	13
10 - Cooler Assembly, 4800486 .....	15

**NOTE: Drawings are not to scale.**

### Document 1930136 Changes and Revisions

Version	Revision Details	Revised by/date	Approved by/date	Implemented
-	New	IB 5 Feb 2007	BC 20 Feb 2007	23 Feb 2007
A	ECN 07-058 updates	IB 29 Mar 2007	SH 02 Apr 2007	05 Apr 2007
B	ECN 07-087	IB 08 May 2007	BC 11 May 2007	15 May 2007
C	ECN 07-145	IB 10 Oct 2007	MH 19 Nov 2007	23 Nov 2007
D	ECN 08-009	SL 13 Feb 2008	SH 14 Feb 2008	14 Feb 2008

### **VMAC – Vehicle Mounted Air Compressors**

Toll Free: 1-800-738-8622 Local: 1-250-740-3200

Fax: 1-250-740-3201

## 1 - Kit Pack List

Item #	Part #	Qty	Description Item
1	1200299	1	CLIP, TANK MOUNT
2	1610341	1	BELT, K060750
3	1710597	1	HOSE, HEATER, 3/4 X 66" (1700177)
4	4800493	1	TUBE, INTERCOOLER
5	1752073	1	HOSE, CRIMPED, 1/2" X 73"
6	1752093	1	HOSE, CRIMPED, 1/2" X 93"
7	1771056	1	HOSE, CRIMPED, 1" X 56"
8	1800197	1	CRANK PULLEY
9	1930060	1	MANUAL, OWNERS GENERIC, VR70 & 140
10	1930135	1	MANUAL, INSTALLATION
11	1930136	1	ILLUSTRATED PARTS LIST
12	2200105	2	CLAMP, MOUNTING BRACKET C, 6
13	3550723	1	CONTROL BOX, 132.0" TEMP
14	3550739	1	INTERFACE CABLE
15	3550740	1	CABLE, ALTERNATOR EXTENDER 12"
16	3560205	1	VRTC
17	3800607	1	FASTENER PACK
18	4800413	1	SYSTEM OPERATION AND ID
19	4800486	1	ASSEMBLY, COOLER
20	4800488	1	ASSEMBLY, MAIN BRACKET
21	4800489	1	ASSEMBLY, PRESSURE TRANSDUCER
22	4800514	2	STRAP, TANK MOUNT ASSY
23	9200430	1	TANK, VR70 DRESSED INT OIL FILTER
24	A700091	1	OIL, VR, 1L, HIGH PERFORMANCE
25	A700094	1	OIL, VR, 4L, HIGH PERFORMANCE
26	P120118	1	COMPRESSOR ASSEMBLY

**VMAC – Vehicle Mounted Air Compressors**

Toll Free: 1-800-738-8622 Local: 1-250-740-3200

Fax: 1-250-740-3201

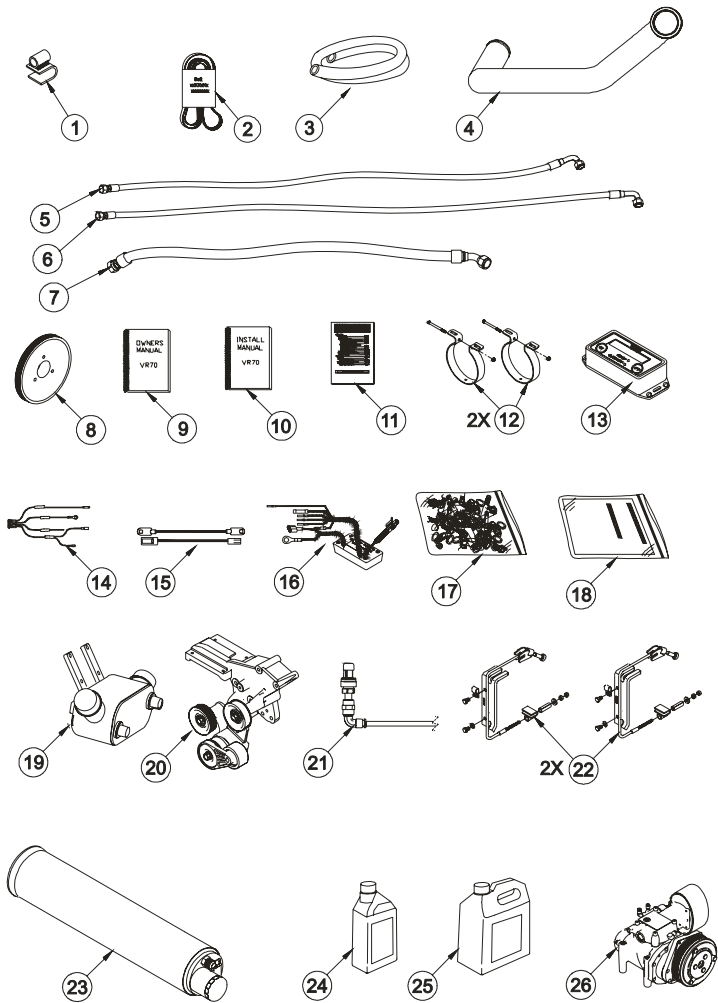


Figure 1 - Kit Pack List

## 2 - Fastener Pack, 3800607

Item #	Part #	Qty	Description
1	3800608	1	FASTENER PACK, CRANK PULLEY
1.1	1520464	3	BOLT, HHCS G10.9, M10 X 1.5 X 130
1.2	1570044	3	WASHER, ALLOY PL SAE, 3/8
2	3800609	1	FASTENER PACK, IDLER OEM
2.1	1400291	1	SPACER, OEM IDLER
3	3800611	1	FASTENER PACK, FAN
3.1	1200539	1	BRACKET, FAN WIRE
3.2	1500449	2	SCREW, PAN PHILLIPS 8 X 1 SMS (18.8)
3.3	3400065	1	SPACER, FAN, LH THREAD
4	3800612	1	FASTENER PACK, HOSE
4.1	1500139	1	SCREW, SHEET METAL SLOTTED, 5/16X3/4
4.2	1720614	1	TUBE, 2" CONNECTOR
4.3	2200027	4	CLAMP, HOSE HS32
4.4	2200048	4	CLAMP, HOSE HS12
4.5	2200083	1	CLAMP, STRAP 1-1/4
4.6	5300043	1	CONNECTOR, TEE NYLON, 3/4
5	3800615	1	FASTENER PACK, WIRING LOOM
5.1	1700029	1	LOOM, SPLIT PLASTIC, 1/2 X 120
5.2	2200039	7	TIE, NYLON MD, 7"
6	3800617	1	FASTENER PACK, PRESSURE SENSOR
6.1	1500139	1	SCREW, SHEET METAL SLOTTED, 5/16 X 3/4
7	3800667	1	FASTENER PACK, TEFLON HOSE (V900090)
7.1	1700570	111.5	TUBE, TEFLON, PTFE, 1/4"OD X 3/16"ID
7.2	1700571	100.5	TUBE, TEFLON, PTFE, 3/16"OD X 1/8"ID
7.3	1700581	100.5	LOOM, SPLIT PLASTIC, 1/4, HIGH TEMP
7.4	1700581	111.5	LOOM, SPLIT PLASTIC, 1/4, HIGH TEMP
7.5	2200039	10	TIE, NYLON MD, 7"
8	3800658	1	FAST PACK, ALTERNATOR GUARD
8.1	1500611	5	RETAINER, PLASTIC, FORD
8.2	5200180	1	NEOPRENE, 1/8 X 12 X 12

**VMAC – Vehicle Mounted Air Compressors**

Toll Free: 1-800-738-8622 Local: 1-250-740-3200

Fax: 1-250-740-3201

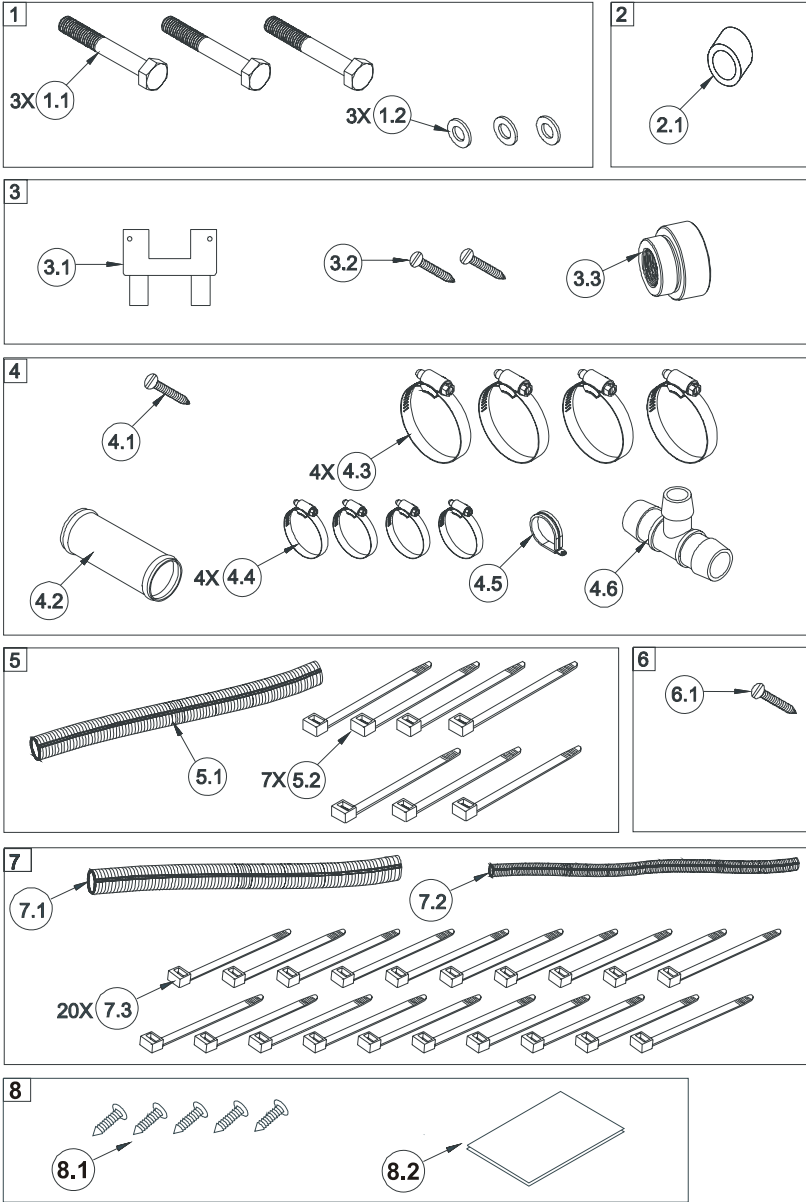


Figure 2 – Fastener Packs

### 3 - Compressor Assembly, P120118

Item #	Part #	Qty	Description
1	1540521	4	BOLT, SHCS, M8 X 1.25 X 110
2	1540530	2	BOLT, SHCS, M8 X 1.25 X 55, G12.9
3	1540550	2	BOLT, SHCS, M8 X 1.25 X 50, GR 12.9
4	4300076	1	PIPE FTG, PLUG SKT HEAD, 1/8
5	4900002	1	ELBOW, STEEL JIC/O-RING, 1/2 3/4-16
6	4900045	1	PLUG, STEEL HEX SAE/O-RING PORT
7	5000020	1	ELBOW, BRASS NPT-POLY 1/8-1/4
8	5000020	1	ELBOW, BRASS NPT-POLY, 1/8-1/4"
9	5000165	1	ELBOW ,90, BRASS NPT-POLY, 1/8-3/16"
10	5830004	1	O-RING, VITON, 3 1/8 ID X 1/8
11	5830132	1	O-RING, VITON, #8 ORB, HEX
12	9200420	1	INLET CONTROL VALVE BASIC INT. REG.
13	P120006	1	COMPRESSOR, VR70

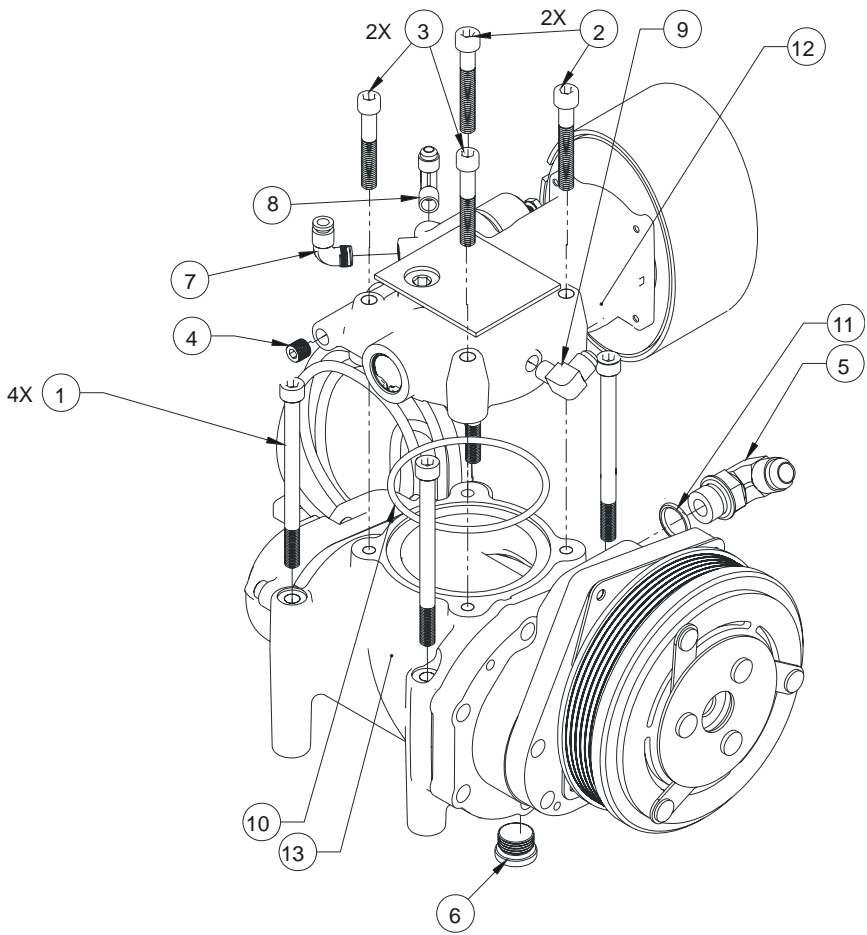


Figure 3 – Compressor Assembly

## 4 - Compressor Sub Components, P120006

Item #	Part #	Qty	Description
1	3550682	1	TEMPERATURE PROBE
2	P200035	1	CLUTCH COMPLETE 6 GROOVE

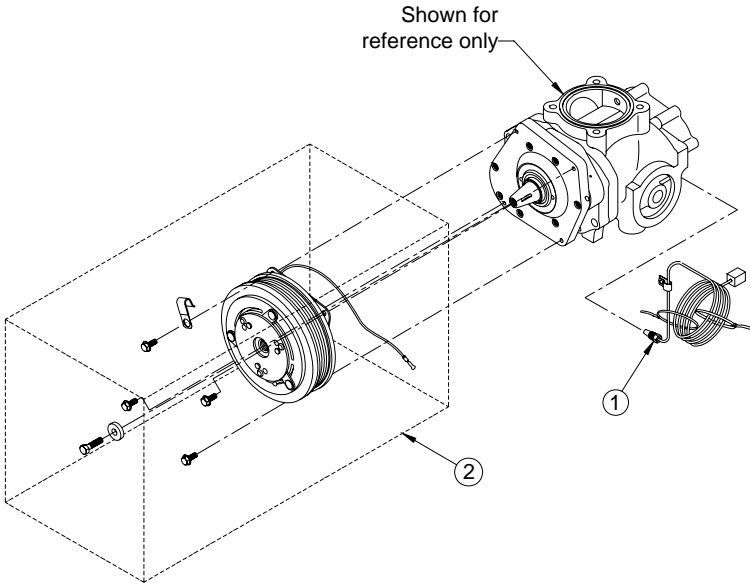


Figure 4 – Compressor Sub Components



## 5 - Inlet Valve Sub Components, 9200420

Item #	Part #	Qty	Description
1	1500077	4	SCREW, BUTTON HEAD, 10 - 32 X 3/8
2	1500519	1	ROD, THREADED, 1/4 X 2.62
3	1550029	1	NUT, NYLOCK NC, 1/4
4	1550221	1	NUT, HEX NC PL, 1/4, GR8
5	1570038	1	WASHER, FLAT SAE, 1/4
6	3200268	1	PLATE, INNER FILTER, VERTICAL
7	3600037	1	ELEMENT, FILTER, PAPER
8	3600046	1	KIT, REGULATOR
9	3600066	1	COVER, AIR FILTER, PLASTIC
10	4900045	1	PLUG
11	5830002	1	O-RING, VITON, 2 3/8 ID X 3/32
12	5830070	1	O-RING, VITON, 2 9/16 ID X 3/32
13	5830129	1	O-RING, VITON, 1 7/8 ID X 1/8
14	9200413	1	INLET VALVE REAR SEAT

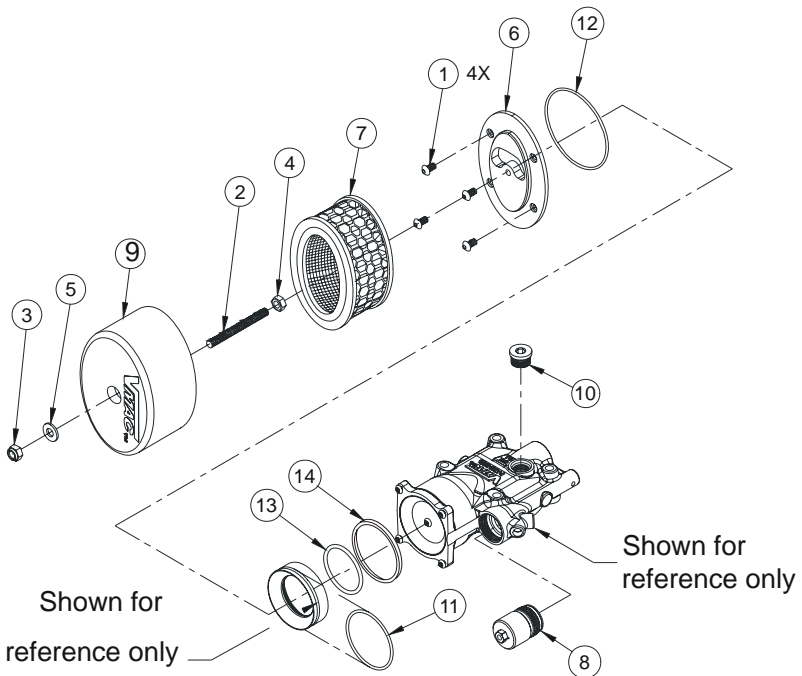


Figure 5 – Inlet Valve Sub Components

**VMAC – Vehicle Mounted Air Compressors**

Toll Free: 1-800-738-8622

Local: 1-250-740-3200

Fax: 1-250-740-3201

## 6 - Main Bracket Assembly, 4800488

Item #	Part #	Qty	Description
1	1100173	1	BRACKET, MAIN
2	1300030	1	IDLER, SERP, 6 GROOVE, FLANGE, 90MM
3	1300031	1	IDLER, SERP, BACK, FLANGE, 90MM
4	1400051	2	SPACER, IDLER - BOLT
5	1510161	2	BOLT, HHCS NC G8 FL, 1/2 X 1 1/4
6	1520564	1	BOLT, HHCS G10.9, M10 X 1.5 X 90 MODIFIED
7	1570044	1	WASHER, ALLOY PL SAE, 3/8
8	3300032	1	TENSIONER, 38511

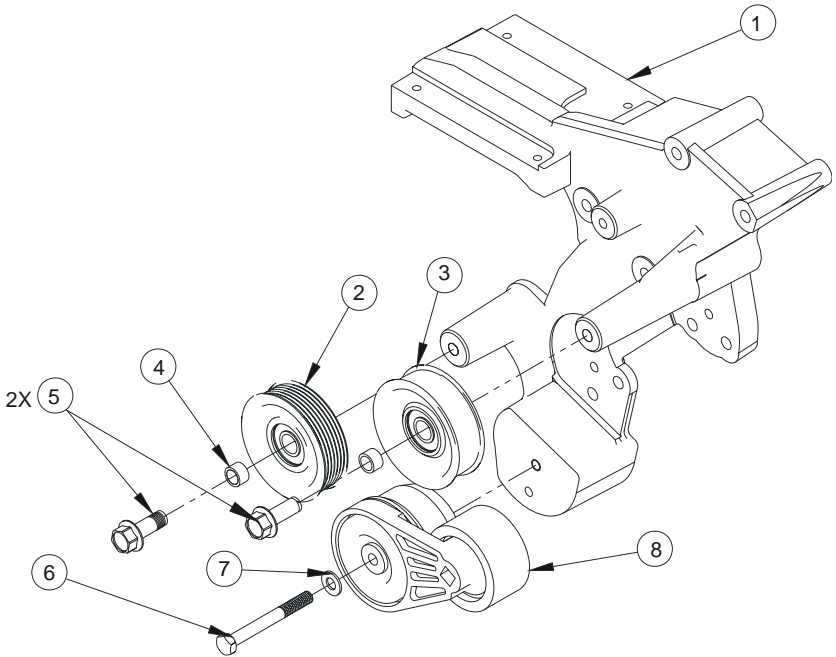


Figure 6 – Main Bracket Assembly

**VMAC – Vehicle Mounted Air Compressors**

Toll Free: 1-800-738-8622 Local: 1-250-740-3200

Fax: 1-250-740-3201

## 7 – Pressure Transducer Assembly, 4800489

Item #	Part #	Qty	Description
1	1710724	1	TUBE, 1/4 X 23" (1700334)
2	2200064	1	CLAMP, STRAP 7/8
3	3500288	1	SENSOR, PRESSURE
4	5000020	1	ELBOW, BRASS NPT-POLY, 1/8-1/4
5	5000096	1	CONNECTOR, BRASS COUPLING, 1/8

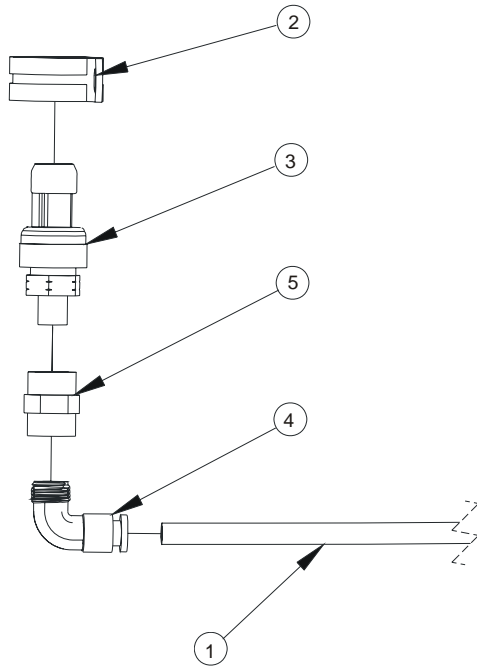


Figure 7 – Pressure Transducer Assembly

**VMAC – Vehicle Mounted Air Compressors**

Toll Free: 1-800-738-8622

Local: 1-250-740-3200

Fax: 1-250-740-3201

## 8 - Tank Mount Strap Assembly, 4800514

Item #	Part #	Qty	Description
1	1200236	1	BRACKET, STRAP, TANK MOUNT
2	1200266	1	BRACKET, TANK MOUNT CLIP
3	1200296	1	BRACKET, TANK MOUNT
4	1400162	1	SPACER, CABLE
5	1510349	2	BOLT, HHCS NC G8 PL, 5/16 X 1/2
6	1550066	2	NUT, HEX NC, 5/16
7	1570067	2	WASHER, SAE, 5/16
8	1570476	1	WASHER, 5/16 ID X 3/4 OD
9	2200169	1	STRAP, TANK CABLE, 17.5"

Note: Two assemblies per kit

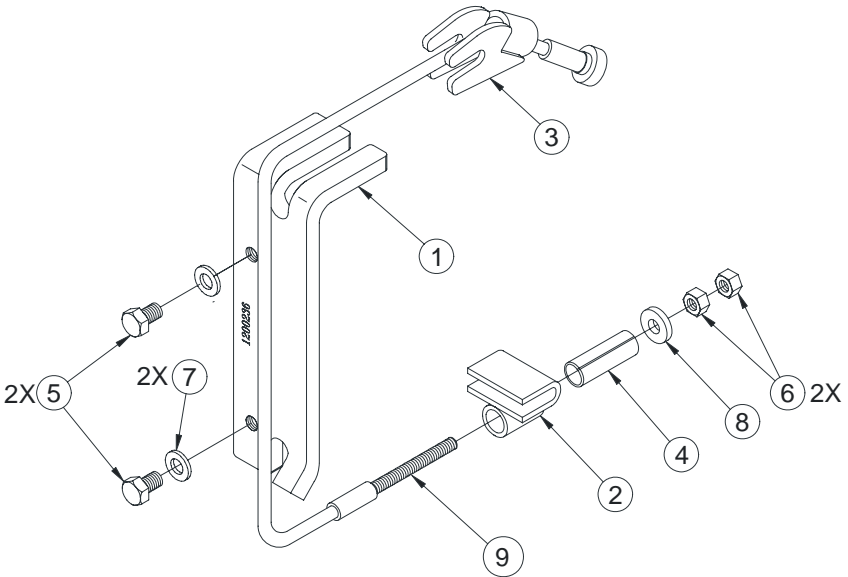


Figure 8 – Tank Mount Strap Assembly

**VMAC – Vehicle Mounted Air Compressors**

Toll Free: 1-800-738-8622 Local: 1-250-740-3200

Fax: 1-250-740-3201

**9 - VR70 Tank, 9200430**

Item #	Part #	Qty	Description
1	1510086	6	BOLT, HHCS NC G5 FL LK, 3/8 X 1
2	1510522	2	BOLT, HHCS NC G8 FL LK PL, 1/4 X 1/2
3	3200231	1	COVER, SIGHT GLASS
4	3600064	1	SEAL, TANK REAR CAP
5	3600090	1	THIMBLE, SCREEN
6	4900033	1	CONNECTOR, STEEL NPT-JIC, 3/4-3/4
7	4900035	1	NIPPLE, STEEL STR THRD, 3/4 - 16
8	4900106	1	PLUG, STEEL, #5 ORB, HEX
9	5000020	1	ELBOW, BRASS NPT-POLY, 1/8-1/4"
10	5000089	1	CONNECTOR, BRASS NPT-SAE, 3/8 - 1/2
11	5000165	1	ELBOW,90, BRASS NPT-POLY, 1/8-3/16"
12	5000170	1	FITTING, 3/8 TUBE- 1/8 NPT
13	5000171	1	FITTING, 7/16 TUBE- 1/8 NPT
14	5830066	1	O-RING, VITON, 4 3/4 ID X 1/8
15	5840069	1	SPRING, COMPRESSION, FL 1.5",OD .54
16	9200039	1	OIL FILTER, VR 3.250 SHORT
17	9200364	1	ASSEMBLY, BLOWDOWN CAP
17.1	3600054	1	VALVE, SAFETY, 3/8, 200 PSI
17.2	4500104	1	MUFFLER, SINTERED EXHAUST, 1/8"
18	9200378	1	TANK, OIL SEPARATOR
19	A700061	1	SIGHT GLASS ASSEMBLY
20	A700152	1	ELEMENT, SEP, COALESCING

**VMAC – Vehicle Mounted Air Compressors**

Toll Free: 1-800-738-8622

Local: 1-250-740-3200

Fax: 1-250-740-3201

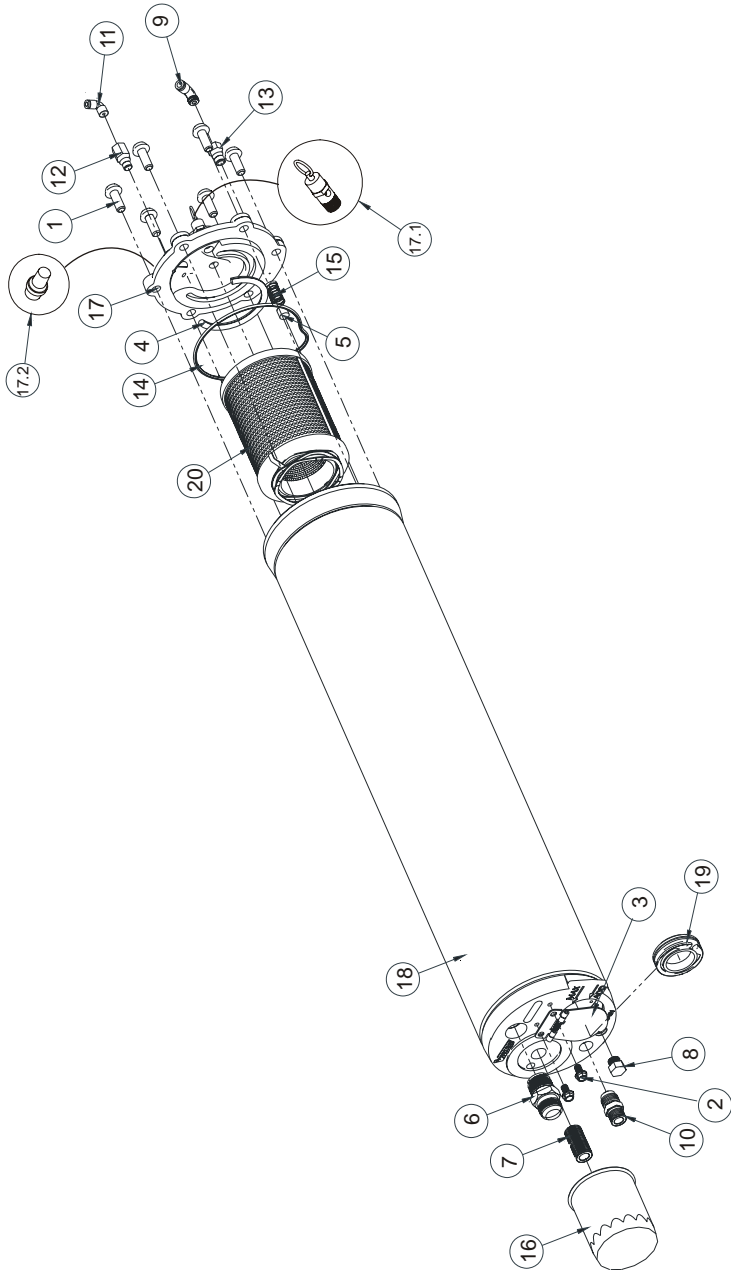


Figure 9 - VR70 Tank

**VMAC – Vehicle Mounted Air Compressors**

Toll Free: 1-800-738-8622 Local: 1-250-740-3200

Fax: 1-250-740-3201

## 10 - Cooler Assembly, 4800486

Item #	Part #	Qty	Description
1	1200516	1	BRACKET, COOLER MOUNT
2	1200517	2	DRILLED PLATE
3	1520129	4	BOLT, HHCS G10.9, M10 X 1.5 X 110
4	1520563	2	BOLT, HHCS, FLHD, M10 X 1.50 X 25
5	1570044	4	WASHER, ALLOY PL SAE, 3/8
6	9200424	1	COOLER

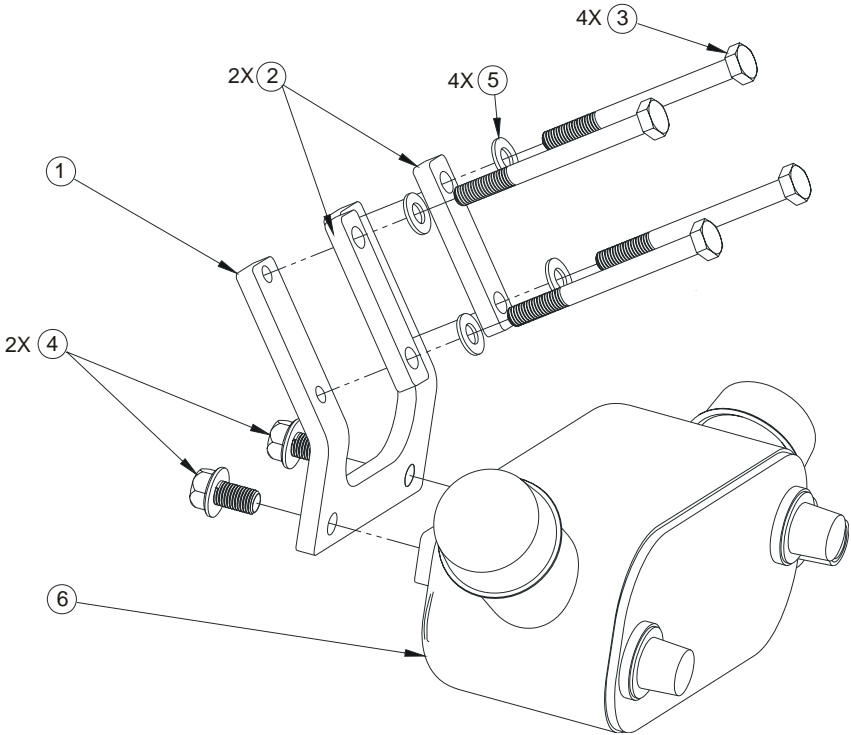


Figure 10 - Cooler Assembly

**VMAC – Vehicle Mounted Air Compressors**

Toll Free: 1-800-738-8622

Local: 1-250-740-3200

Fax: 1-250-740-3201