

# Illustrated Parts List for VMAC System V90089

**GM Classic 6.6L C4500–C5500 2006-2007**

1 - Kit Pack List .....	2
2 - Fastener Pack, 3800560.....	4
2 - Fastener Pack, 3800560 (Continued).....	6
3 - Compressor Assembly, P120089 .....	8
4 - Compressor Sub Components, P120002 .....	10
5 - Inlet Valve Sub Components, 9200420 .....	11
6 - Main Bracket Assembly, 4800467 .....	12
7 - VR70 Tank, 9200380 .....	14
8 – Cooler Assembly, 4800333.....	16
9 - Adaptor Kit, 150 AMP Alternator, 1630202.....	16

## Document 1930102 - Changes and Revisions

Version	Revision Details	Revised by/date	Approved by Date	Implemented
-	New Format	YBD/19SEP05	SM/19SEP05	03OCT2005
A	Add parts to FP	YBD/16MAR06		21MAR2006
B	ECN 06-179	YBD/14AUG06	SM/14AUG06	17AUG2006
C	ECN 06-220	IB 30 Oct 06	SM 31 Oct 06	01 Nov 06
D	ECN 06-239 Main Bracket	IB 24 Nov 2006	TG 29 Nov 2006	01 Dec 2006
E	ECN06-262 Fast Pack/Accy	IB 21 Dec 2006	TG 05 Jan 2007	08 Jan 2007
F	ECN 07-074	IB 22 Apr 2007	SH 23 Apr 2007	27 Apr 2007

## **VMAC – Vehicle Mounted Air Compressors**

Toll Free: 1-800-738-8622

Local: 1-250-740-3200

Fax: 1-250-740-3201

## 1 - Kit Pack List

Item #	Part #	Qty	Description
1	1610337	1	BELT, K061150
2	1650293	1	BELT, 5060870, 87
3	1730122	1	HOSE, CRIMPED, 1/4" X 122"
4	1740124	1	HOSE, CRIMPED, 5/16" X 124"
5	1752041	1	HOSE, CRIMPED, 1/2" X 41"
6	1752075	1	HOSE, CRIMPED, 1/2" X 75"
7	1781081	1	HOSE, CRIMPED, 1" X 81"
8	1800161	1	PULLEY ASSEMBLY
9	1930060	1	MANUAL, OWNERS GENERIC, VR70 & 140
10	1930101	1	MANUAL, INSTALLATION
11	1930102	1	ILLUSTRATED PARTS LIST
12	2200105	2	CLAMP, MOUNTING BRACKET C, 6
13	3550723	1	CONTROL BOX, VR
14	3550729	1	INTERFACE CABLE
15	3560099	1	TC, VR, GM C45/5500 6.6L, 2006
16	3800560	1	FASTENER PACK
17	4800333	1	COOLER, ASSEMBLY
18	4800413	1	SYSTEM OPERATION INSTRUCTION AND ID
19	4800467	1	ASSEMBLY, MAIN BRACKET
20	9200380	1	TANK, VR70 DRESSED INT OIL FILTER
21	A700091	1	OIL, VR, 1L, HIGH PERFORMANCE
22	A700094	1	OIL, VR, 4L, HIGH PERFORMANCE
23	P120089	1	COMPRESSOR ASSEMBLY

**VMAC – Vehicle Mounted Air Compressors**

Toll Free: 1-800-738-8622

Local: 1-250-740-3200

Fax: 1-250-740-3201

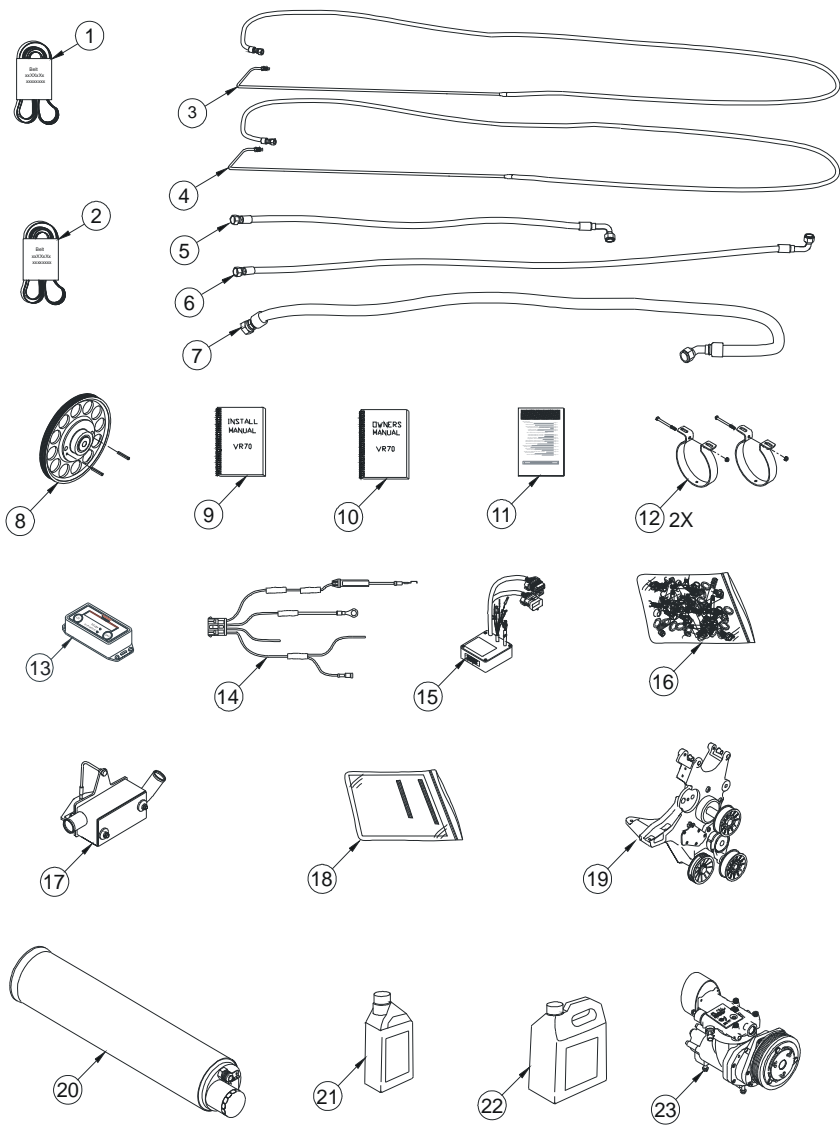


Figure 1 - Kit Pack List

## 2 - Fastener Pack, 3800560

Item #	Part #	Qty	Description
1	3800279	1	FASTENER PACK, PULLEY
1.1	1520518	1	BOLT, HHCS G10.9, M18 X 1.5 X 100
1.2	3200234	1	KEY, LOCATING
2	3800364	1	FASTENER PACK, COOLER HOSE
2.1	2200026	2	CLAMP, HOSE HS28
3	3800367	1	FASTENER PACK, TIES, SECURING
3.1	2200018	8	TIE, NYLON MD, 11
4	3800535	1	FASTENER PACK, DUAL ALTERNATOR BRACKET
4.1	1200466	1	BRACKET, DUAL ALT.
4.2	1200467	1	BRACKET, AIR CLEANER
4.3	1520147	1	BOLT, HHCS G8.8, M8 X 1.25 X 20 FULL
4.4	1520210	1	BOLT, HHCS G10.9, M10 X 1.5 X 80
4.5	1560138	1	NUT, NYLOCK PL, M10 X 1.5
4.6	1570048	1	WASHER, ALLOY PL SAE, 7/16
4.7	1570067	1	WASHER, SAE, 5/16
5	3800563	1	FASTENER PACK, OIL HOSE SUPPORT
5.1	1200496	1	BRACKET, OIL LINE P CLIP MOUNT
5.2	1520147	1	BOLT, HHCS G8.8, M8 X 1.25 X 20 FULL
5.3	1560508	1	NUT, W/DBL SER WASHER, M8 X 1.25
5.4	1570067	1	WASHER, SAE, 5/16
5.5	2200018	4	TIE, NYLON MD, 11
5.6	2200046	1	CLAMP, STRAP, 1 5/8
6	3800564	1	FASTENER PACK, GLOW PLUG MOUNTING
6.1	1200494	1	BRACKET, GLOW PLUG RELAY
6.2	1510028	1	BOLT, HHCS NC G8 PL, 1/4 X 3/4
6.3	1510177	2	BOLT, HHCS NC G8 PL, 1/4 X 1
6.4	1520513	1	BOLT, HHCS G10.9, M8 X 1.25 X 30
6.5	1550521	1	NUT, FLANGE LOCK NC, 1/4-20
6.6	1560508	1	NUT, W/DBL SER WASHER, M8 X 1.25
6.7	1570038	3	WASHER, FLAT SAE, 1/4

**VMAC – Vehicle Mounted Air Compressors**

Toll Free: 1-800-738-8622

Local: 1-250-740-3200

Fax: 1-250-740-3201

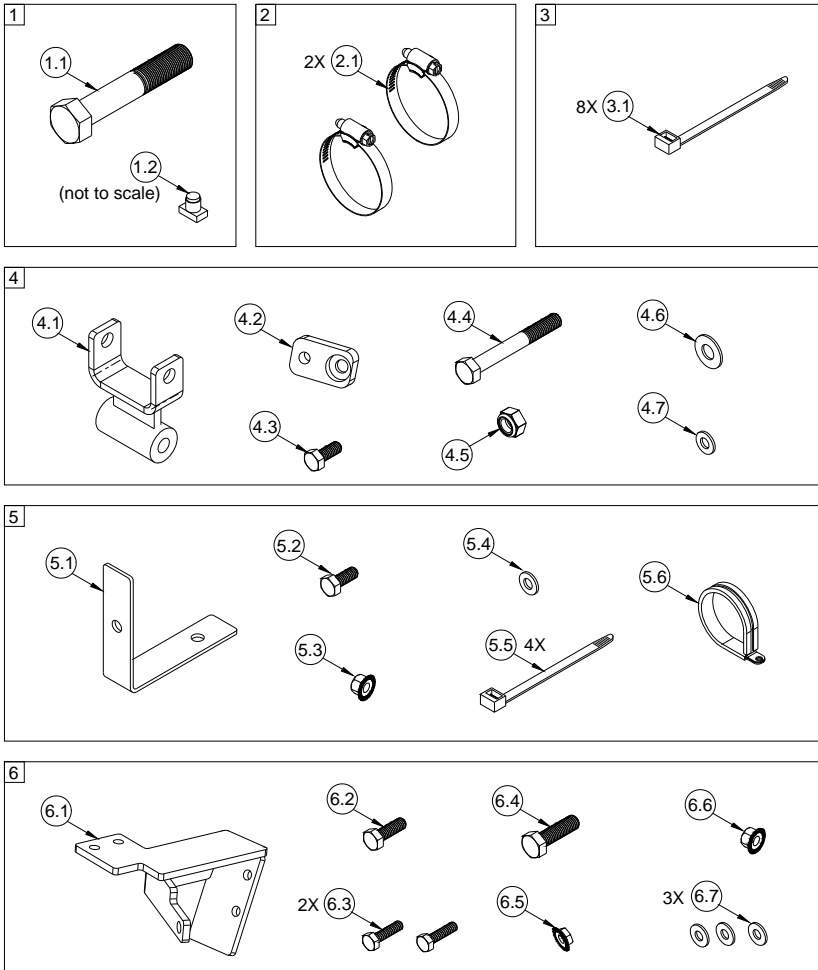


Figure 2 – Fastener Packs

## 2 - Fastener Pack, 3800560 (Continued)

Item #	Part #	Qty	Description
7	3800565	1	FASTENER PACK, HEATER HOSE
7.1	1200311	1	BRACE
7.2	1200493	1	BRACKET, HEATER TUBE
7.3	1500533	1	SCREW, BUTTON HCS, 10-32 X 5/8
7.4	1510177	1	BOLT, HHCS NC G8 PL, 1/4 X 1
7.5	1550029	1	NUT, NYLOCK NC, 1/4
7.6	1570038	1	WASHER, FLAT SAE, 1/4
7.7	1710708	1	HOSE, HEATER, 5/8" X 14"
7.8	2200029	3	CLAMP, HOSE HS10
7.9	2200064	2	CLAMP, STRAP 7/8
7.10	5300005	1	CONNECTOR, PLASTIC HEATER HOSE, 5/8
8	3800566	1	FASTENER PACK, THROTTLE BODY
8.1	1200492	1	BRACKET, THROTTLE BODY SUPPORT
8.2	1540530	1	BOLT, SHCS, M8 X 1.25 X 55, G12.9
9	3800567	1	FASTENER PACK, COMPRESSOR MOUNT FRONT
9.1	1520203	2	BOLT, HHCS G10.9, M8X1.25X25 FULL
9.2	1570260	2	WASHER, INT SERR LOCK, 5/16
10	3800568	1	FASTENER PACK, COMPRESSOR MOUNT REAR
10.1	1520147	1	BOLT, HHCS G8.8, M8 X 1.25 X 20 FULL
10.2	1570260	1	WASHER, INT SERR LOCK, 5/16
11	3800569	1	FASTENER PACK, FAN SPACER
11.1	3400046	1	SPACER, FAN
12	3800570	1	FASTENER PACK, WIRING LOOM
12.1	1700029	96"	LOOM, SPLIT PLASTIC, 1/2
12.2	2200039	10	TIE, NYLON MD, 7"
13	3800571	1	FASTENER PACK, TANK MOUNT
13.1	1200496	1	BRACKET, OIL LINE P CLIP MOUNT
13.2	1200506	2	BRACKET
13.3	1520513	3	BOLT, HHCS G10.9, M8X1.25X30 FULL
13.4	1560508	7	NUT, W/DBL SER WASHER, M8 X 1.25
13.5	1540526	2	WASHER, INT SERR LOCK, 5/16
13.6	2200133	1	CLAMP, INSULATED DOUBLE TUBE, 1/4
13.7	5900194	2	TEMPLATE, TANK MOUNT
13.8	1570067	3	WASHER, SAE, 5/16

**VMAC – Vehicle Mounted Air Compressors**

Toll Free: 1-800-738-8622

Local: 1-250-740-3200

Fax: 1-250-740-3201

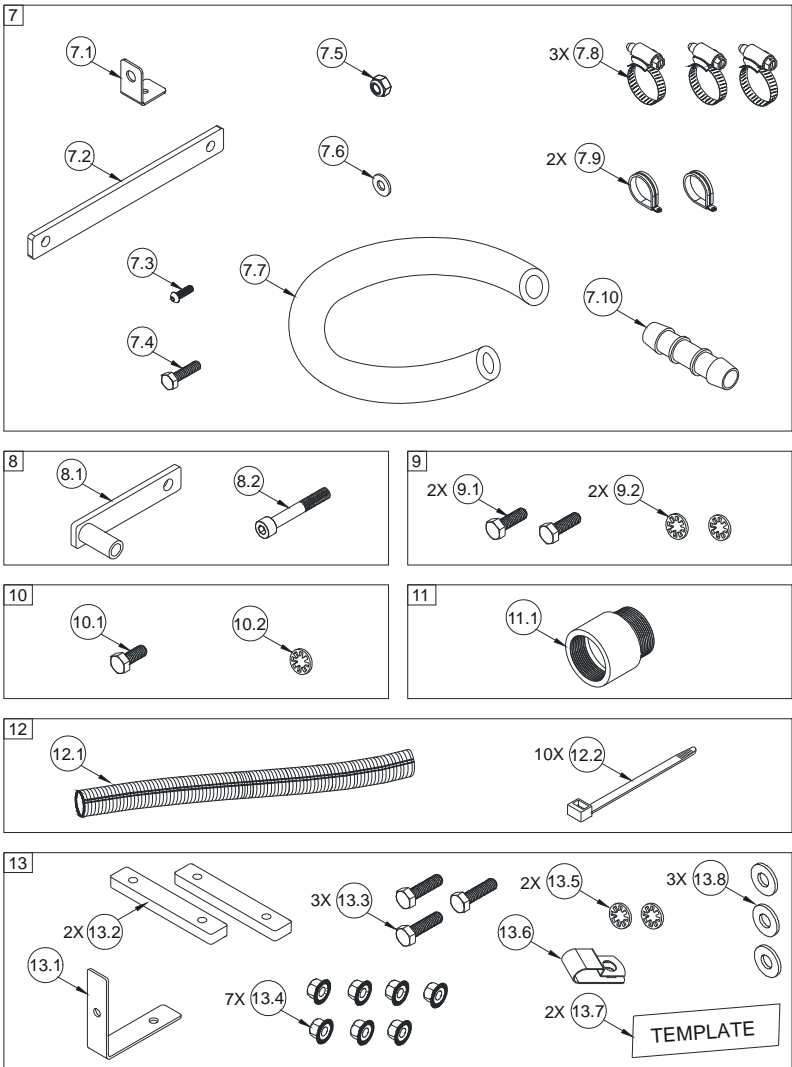


Figure 2 (Continued) – Fastener Packs

### 3 - Compressor Assembly, P120089

Item #	Part #	Qty	Description
1	1540544	2	BOLT, SHCS, M8 X 1.25 X 75
2	1540553	2	BOLT, SHCS, M8 X 1.25 X 70
3	1570482	1	WASHER
4	3200277	1	ADAPTOR, INLET VALVE MOUNT
5	3500288	1	SENSOR, PRESSURE
6	4300076	1	PIPE FTG, PLUG SKT HEAD, 1/8
7	4300076	1	PIPE FTG, PLUG SKT HEAD, 1/8
8	4900002	1	ELBOW, STEEL JIC/O-RING, 1/2 3/4-16
9	5000081	1	ELBOW, BRASS NPT-TUBE, 1/8-5/16
10	5000085	1	ELBOW, BRASS NPT-SAE 45 DEG, 1/8-1/4
11	5000137	1	TEE, MALE BRANCH, 1/8
12	5830004	2	O-RING, VITON, 3 1/8 ID X 1/8
13	5830005	1	O-RING, VITON, 11/16 ID X 3/32
14	9200420	1	ASSEMBLY, INLET CONTROL VALVE
15	P120002	1	COMPRESSOR, VR70

**VMAC – Vehicle Mounted Air Compressors**

Toll Free: 1-800-738-8622

Local: 1-250-740-3200

Fax: 1-250-740-3201



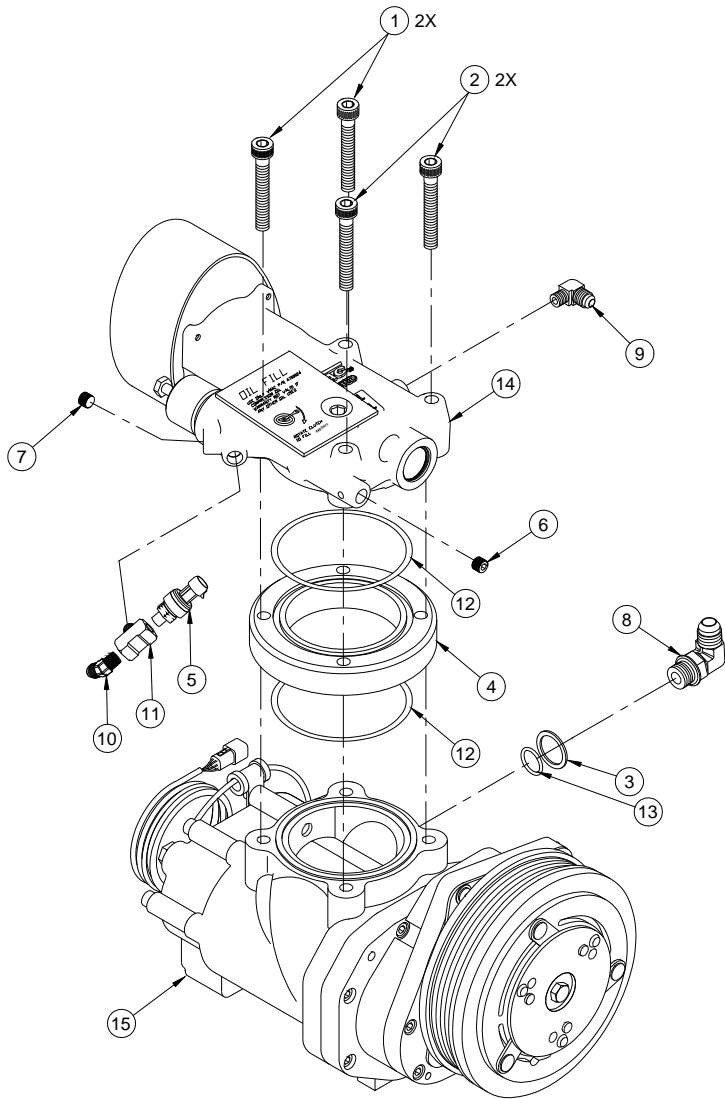


Figure 3 – Compressor Assembly

## 4 - Compressor Sub Components, P120002

Item #	Part #	Qty	Description
1	3550682	1	TEMPERATURE PROBE
2	P200035	1	CLUTCH COMPLETE 6 GROOVE

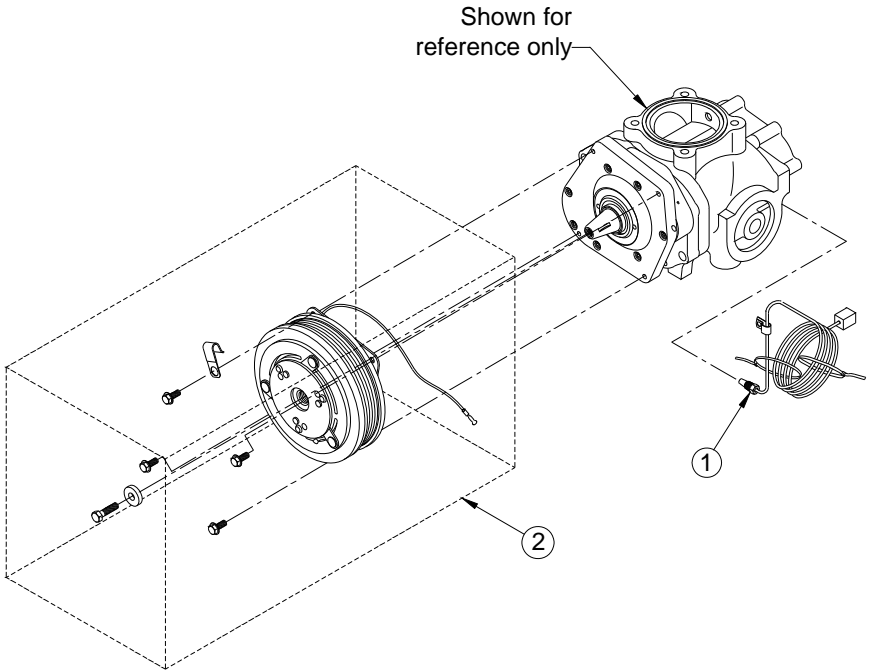


Figure 4– Compressor Sub Components

**VMAC – Vehicle Mounted Air Compressors**  
 Toll Free: 1-800-738-8622  
 Local: 1-250-740-3200  
 Fax: 1-250-740-3201

## 5 - Inlet Valve Sub Components, 9200420

Item #	Part #	Qty	Description
1	1500077	4	SCREW, BUTTON HEAD, 10 - 32 X 3/8
2	1500519	1	ROD, THREADED, 1/4 X 2.62
3	1550029	1	NUT, NYLOCK NC, 1/4
4	1550221	1	NUT, HEX NC PL, 1/4, GR8
5	1570038	1	WASHER, FLAT SAE, 1/4
6	3200268	1	PLATE, INNER FILTER, VERTICAL
7	3600037	1	ELEMENT, FILTER, PAPER
8	3600046	1	KIT, REGULATOR
9	3600066	1	COVER, AIR FILTER, PLASTIC
10	4900045	1	PLUG
11	5830002	1	O-RING, VITON, 2 3/8 ID X 3/32
12	5830129	1	O-RING, VITON, 1 7/8 ID X 3/16
13	5830070	1	O-RING, VITON, 2 9/16 ID X 3/32

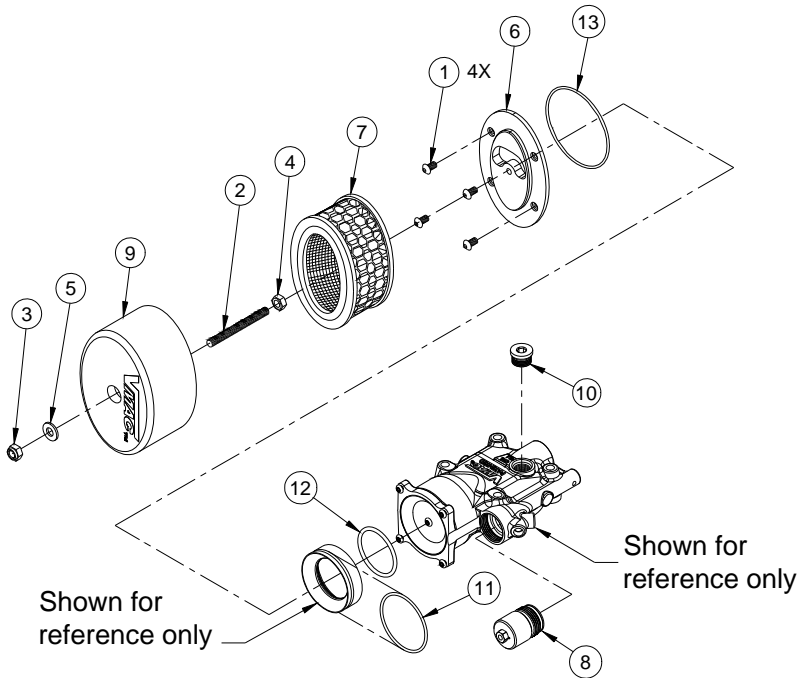


Figure 5 – Inlet Valve Sub Components

**VMAC – Vehicle Mounted Air Compressors**

Toll Free: 1-800-738-8622

Local: 1-250-740-3200

Fax: 1-250-740-3201

## 6 - Main Bracket Assembly, 4800467

Item #	Part #	Qty	Description
1	1100162	1	BRACKET, DURAMAX RPO/LLY
2	1200415	1	PLATE, TENSIONER
3	1300030	1	IDLER, SERP 6 RIB GROOVE
4	1300031	2	IDLER, SERP 6 RIB BACK
5	1400051	1	SPACER, IDLER - BOLT
6	1400191	1	SPACER, IDLER
7	1510161	1	BOLT, HHCS NC G8 FL, 1/2 X 1 1/4
8	1520090	1	BOLT, HHCS G10.9, M10 X 1.5 X 30
9	1520430	1	BOLT, HHCS G10.9, M14 X 1.5 X 110
10	1540204	3	BOLT, SHCS, M8 X 1.25 X 25
11	1540525	2	BOLT, SHCS, M10 X 1.5 X 85
12	1560138	1	NUT, NYLOCK PL, M10 X 1.5
13	1570044	2	WASHER, ALLOY PL SAE, 3/8
14	1570308	1	WASHER, FLAT PL, 1/2
15	2600113	1	TENSIONER, MODIFIED (3300020)
16	4300079	2	BUSHING, SPLIT FLARED
17	4800297	1	IDLER

**VMAC – Vehicle Mounted Air Compressors**

Toll Free: 1-800-738-8622

Local: 1-250-740-3200

Fax: 1-250-740-3201

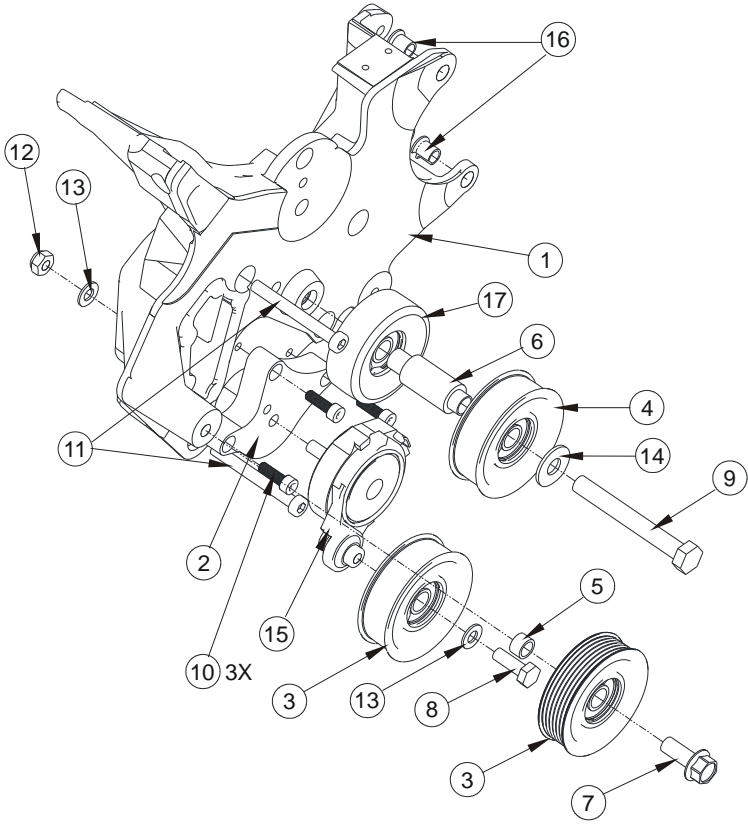


Figure 6 – Main Bracket Assembly

**7 - VR70 Tank, 9200380**

Item #	Part #	Qty	Description
1	1510086	6	BOLT, HHCS NC G5 FL LK, 3/8 X 1
2	1510522	2	BOLT, HHCS NC G8 FL LK PL, 1/4 X 1/2
3	3200231	1	COVER, SIGHT GLASS
4	3600036	1	ELEMENT, SEP, COALESING
5	3600064	1	SEAL, TANK REAR CAP
6	3600090	1	THIMBLE, SCREEN
7	4900033	1	CONNECTOR, STEEL NPT-JIC, 3/4-3/4
8	4900035	1	NIPPLE, STEEL STR THRD, 3/4 - 16
9	4900106	1	PLUG, STEEL, #5 ORB HEX
10	5000089	1	CONNECTOR, BRASS NPT-SAE, 3/8 - 1/2
11	5830066	1	O-RING, VITON, 4 3/4 ID X 1/8
12	5840069	1	SPRING, COMPRESSION, FL 1.5",OD .54
13	5840078	1	SPRING, WAVE
14	9200039	1	OIL FILTER, VR 3.250 SHORT
15	9200364	1	ASSEMBLY, BLOWDOWN CAP
15.1	3600054	1	VALVE, SAFETY 200 PSI
15.2	4500104	1	MUFFLER, SINTERED EXHAUST
16	A700061	1	SIGHT GLASS ASSEMBLY

**VMAC – Vehicle Mounted Air Compressors**

Toll Free: 1-800-738-8622

Local: 1-250-740-3200

Fax: 1-250-740-3201

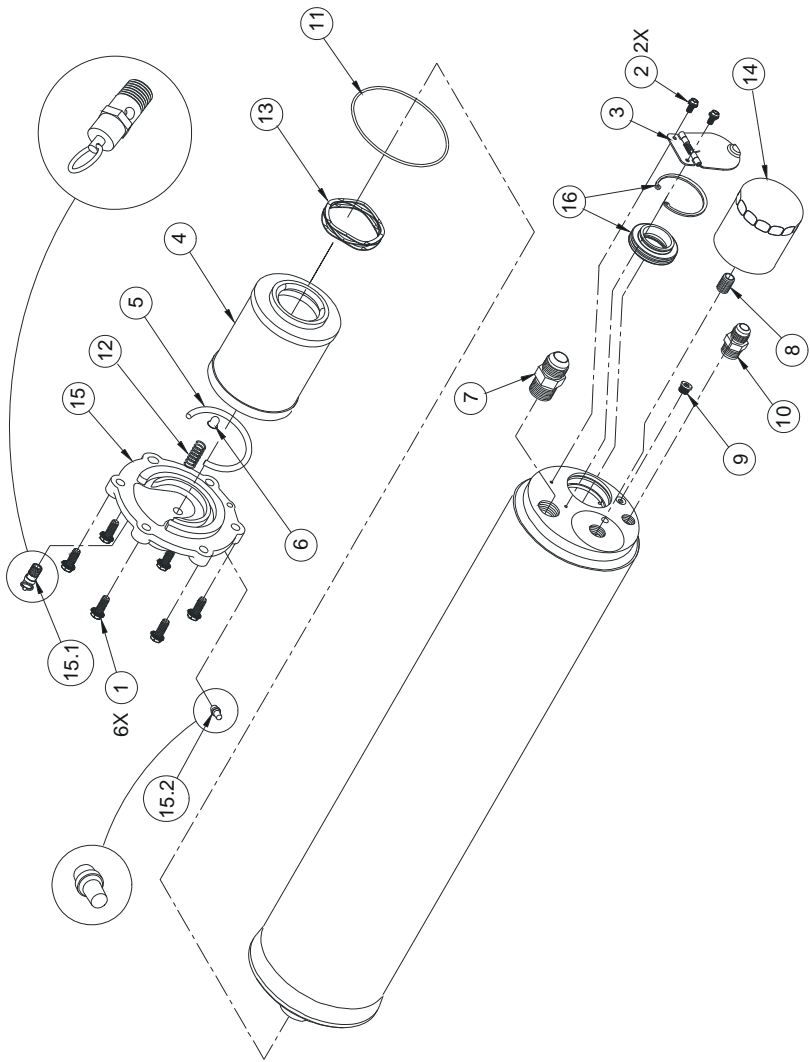


Figure 7 - VR70 Tank

**8 – Cooler Assembly, 4800333**

Item #	Part #	Qty	Description
1	1200339	1	PLATE, COOLER, STRAP SUPPORT
2	1510086	2	BOLT, HHCS NC G5 FL LK, 3/8 X 1
3	1550066	2	NUT, HEX NC, 5/16
4	1550504	2	NUT, FLANGE LOCK NC GR5, 3/8
5	1570476	1	WASHER, 5/16 ID X 3/4 OD
6	2200151	1	STRAP, COOLER
7	9200356	1	COOLER

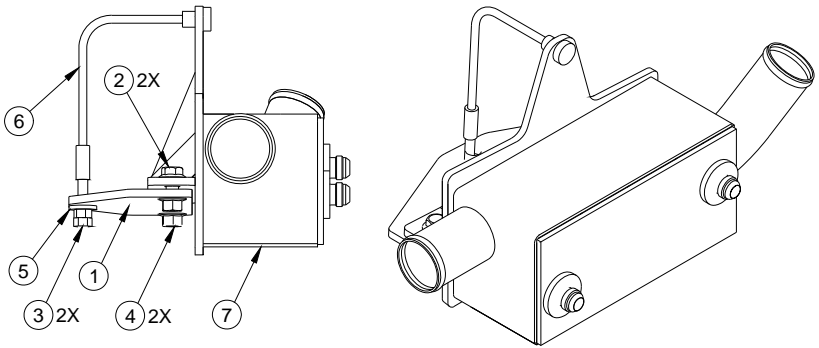


Figure 8 – Cooler Assembly

**9 - Adaptor Kit, 150 AMP Alternator, 1630202**

Item #	Part #	Qty	Description
1	1630202	1	BELT, 4061175

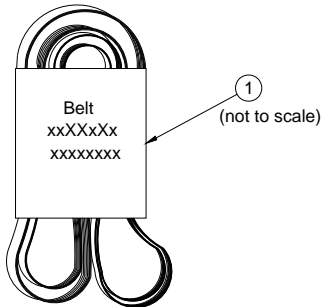


Figure 9 - Adaptor Kit,150 AMP Alternator

**VMAC – Vehicle Mounted Air Compressors**  
 Toll Free: 1-800-738-8622  
 Local: 1-250-740-3200  
 Fax: 1-250-740-3201