

Illustrated Parts List for VMAC System V900084

**2005 – 2006 DODGE 5.9L CUMMINS
2500-3500HD**

1 - Kit Pack List	2
2 - Fastener Pack, 3800488.....	4
3 - Compressor Assembly, P120111	6
4 - Compressor Sub Components, P120002	8
5 - Inlet Valve Sub Components, 9200419	9
6 - Main Bracket Assembly, 4800348	10
7 - Tank Bracket Assembly, 4800511	11
8 - VR70 Tank, 9200430	12
9 - Cooler Assembly, 4800349.....	14

NOTE: Drawings are not to scale.

Document 1930108 - Changes and Revisions

Version	Revision Details	Revised by/date	Approved by/date	Implemented
-	New Format	YBD/30SEP05	SM05OCT05	07OCT2005
A	Fastener pack 1 & 7	YBD/16FEB06	SC/20FEB06	24FEB06
B	ECN#06-117	IB 22 May 06	SM 23 May 06	26 May 06
C	ECN 06-220 Coal. Spring	IB 31 Oct 06	SM 01 Nov 06	02 Nov 06
D	ECN 06-277 fastener chg.	IB 05 Jan 2006	BC 08 Jan 2007	11 Jan 2007
E	ECN 07-074	IB 22 Apr 2007	SH 23 Apr 2007	27 Apr 2007
F	ECN 07-145	IB 12 Oct 2007	MH 19 Nov 2007	23 Nov 2007
G	ECN 08-016	SL 31 JAN 2008	TG 5 Feb 2008	5 Feb 2008
H	ECN 08-169	SL 07 JULY 2008	SH 8 Jul 2008	10 Jul 2008

VMAC – Vehicle Mounted Air Compressors

Toll Free: 1-800-738-8622

Local: 1-250-740-3200

Fax: 1-250-740-3201

1 - Kit Pack List

Item #	Part #	Qty	Description
1	1200427	1	BRACKET
2	1200428	1	BRACKET, FAN SHROUD SUPPORT
3	1200514	1	BRACKET, CONTROL BOX
4	1650281	1	BELT, 5060770, 77.0
5	1710608	1	HOSE, HEATER, 5/8 X 52"(1700027)
6	1751033	1	HOSE, CRIMPED, 1/2" X 33"
7	1752065	1	HOSE, CRIMPED, 1/2" X 65"
8	1771055	1	HOSE, CRIMPED, 3/4" X 55"
9	1800173	1	CRANK PULLEY, DODGE 5.9
10	1930060	1	MANUAL, OWNERS GENERIC, VR70 & 140
11	1930079	1	MANUAL, INSTALLATION
12	1930108	1	ILLUSTRATED PARTS LIST
13	2200105	2	CLAMP, MOUNTING BRACKET C, 6
14	3550723	1	VR CONTROL BOX, 132.0" TEMP
15	3550714	1	INTERFACE CABLE
16	3560097	1	THROTTLE, DODGE 5.9L DIESEL, 2005
17	3600116	1	FAN
18	3800488	1	FASTENER PACK
19	4800348	1	ASSEMBLY, MAIN BRACKET
20	4800349	1	ASSEMBLY, COOLER
21	4800511	2	ASSEMBLY, TANK BRACKET
22	4800413	1	SYSTEM OPERATION INSTRUCTION AND ID
23	5900167	1	TEMPLATE, FAN SHROUD CUTTING
24	9200430	1	TANK, VR70 DRESSED INT OIL FILTER
25	A700091	1	OIL, VR, 1L, HIGH PERFORMANCE
26	A700094	1	OIL, VR, 4L, HIGH PERFORMANCE
27	P120111	1	COMPRESSOR ASSEMBLY

VMAC – Vehicle Mounted Air Compressors

Toll Free: 1-800-738-8622

Local: 1-250-740-3200

Fax: 1-250-740-3201

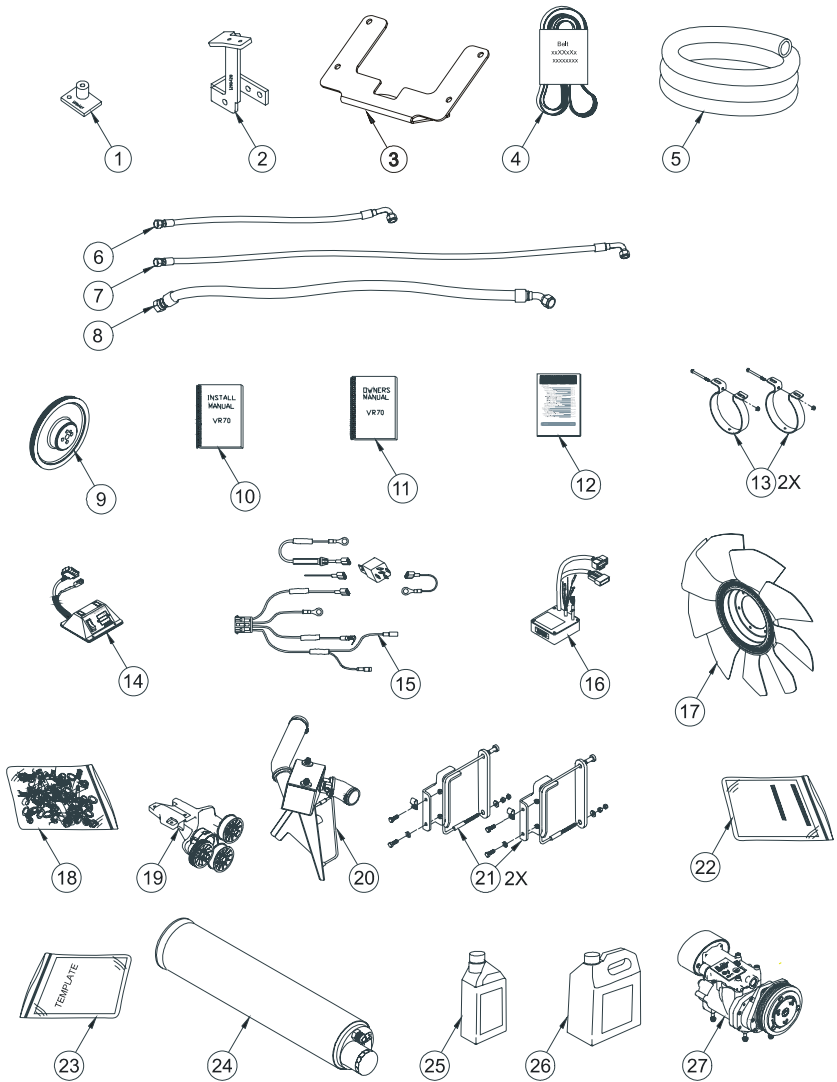


Figure 1 - Kit Pack List

2 - Fastener Pack, 3800488

Item #	Part #	Qty	Description
1	3800384	1	FASTENER PACK, MAIN BRACKET
1.1	1520013	3	BOLT, HHCS G10.9, M10 X 1.5 X 35
1.2	1520513	1	BOLT, HHCS G10.9, M8 X 1.25 X 30
1.3	1540134	1	BOLT, SHCS, M8 X 1.25 X 30, G12.9
1.4	1540204	1	BOLT, SHCS, M8 X 1.25 X 25
1.5	1570044	3	WASHER, ALLOY PL SAE, 3/8
1.6	1570067	3	WASHER, SAE, 5/16
2	3800385	1	FASTENER PACK, COMPRESSOR
2.1	1540526	1	BOLT, SHCS, M8 X 1.25 X 20
2.2	1570260	1	WASHER, INT SERR LOCK, 5/16
3	3800606	1	FAST PACK, CONTROL BOX
3.1	1500499	4	SCREW, PHILLIPS PH, 8 - 32 X 3/8
3.2	1550262	4	NUT, 8-32
3.3	1570163	4	WASHER, FLAT, 3/16
4	3800390	1	FASTENER PACK, AIR BOX
4.1	5800030	1	GROMMET, DIAPHRAGM, RUBBER,
5	3800391	1	FASTENER PACK, FAN SPACER
5.1	1500541	6	SCREW, BUTTON HEAD, CS 5/16 X 5/8
5.2	3400051	1	SPACER, FAN
6	3800489	1	FASTENER PACK, SHROUD SUPPORT
6.1	1520547	1	BOLT, HHCS G10.9, M8 X 1.25 X 16
6.2	1540538	2	BOLT, SHCS, M6 X 1.0 X 14, G8.8
6.3	1570038	2	WASHER, FLAT SAE, 1/4
7	3800490	1	FASTENER PACK, FAN WIRING HARNESS
7.1	1540546	1	BOLT, SHCS, M6 X 1.0 X 40
7.2	1570038	1	WASHER, FLAT SAE, 1/4
8	3800664	1	FAST PACK, TEFLON HOSE (V900084/94)
8.1	1700570	110.5	TUBE, TEFLON, PTFE, 1/4"OD X 3/16"ID
8.2	1700571	96.5	TUBE, TEFLON, PTFE, 3/16"OD X 1/8"ID
8.3	1700581	96.5	LOOM, SPLIT PLASTIC, 1/4, HIGH TEMP
8.4	1700581	110.5	LOOM, SPLIT PLASTIC, 1/4, HIGH TEMP
8.5	2200039	10	TIE, NYLON MD, 7"
9	3800701	1	FASTENER PACK, COOLER
9.1	2200029	2	CLAMP, HOSE HS10
9.2	5000006	1	CONNECTOR, BRASS NPT-HOSE, 1/2-5/8

VMAC – Vehicle Mounted Air Compressors

Toll Free: 1-800-738-8622

Local: 1-250-740-3200

Fax: 1-250-740-3201

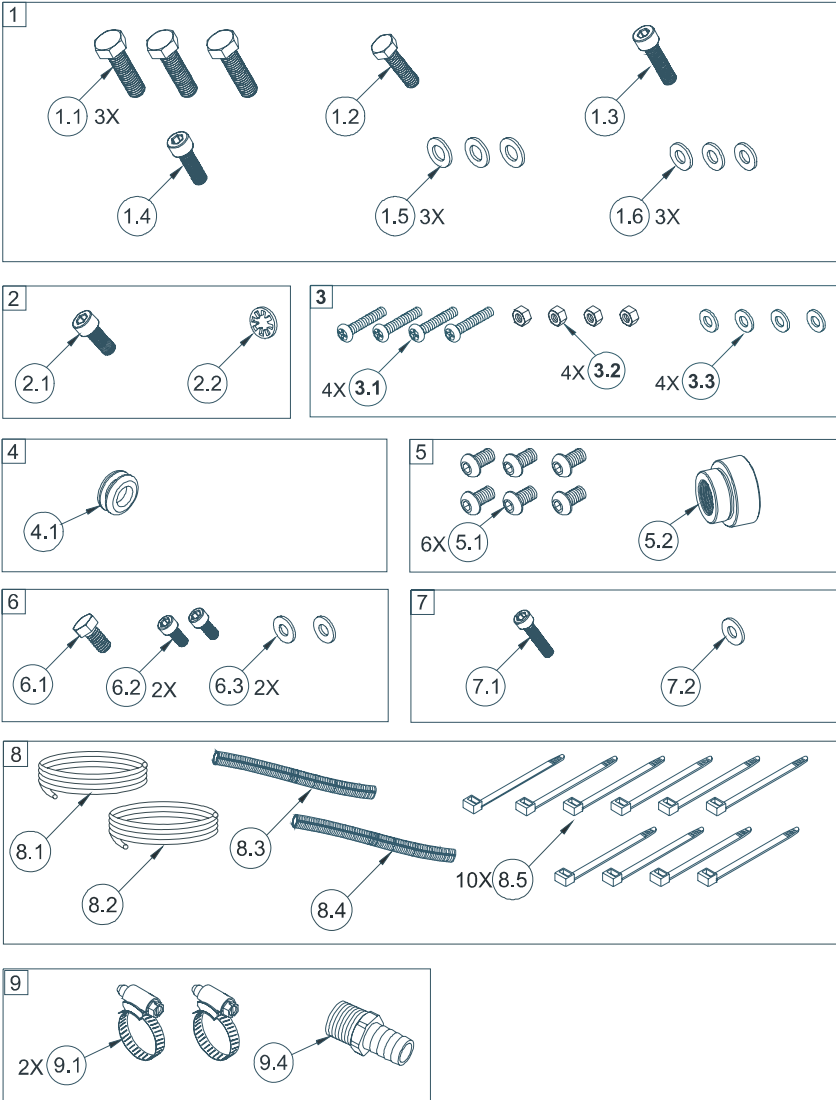


Figure 2 – Fastener Packs

3 - Compressor Assembly, P120111

Item #	Part #	Qty	Description
1	1500399	2	STUD, M8 X 1.25 X 38
2	1520203	1	BOLT, HHCS G10.9, M8X1.25X25 FULL
3	1540530	2	BOLT, SHCS, M8 X 1.25 X 55, G12.9
4	1540550	2	BOLT, SHCS, M8 X 1.25 X 50, GR 12.9
5	1560508	2	NUT, W/DBL SER WASHER, M8 X 1.25
6	1570067	1	WASHER, SAE, 5/16
7	1570482	1	WASHER
8	3500288	1	SENSOR, PRESSURE
9	4300076	1	PIPE FTG, PLUG SKT HEAD, 1/8
10	4300076	1	PIPE FTG, PLUG SKT HEAD, 1/8
11	4900002	1	ELBOW, STEEL JIC/O-RING, 1/2 3/4-16
12	5000056	1	TEE, EXTRUDED, 1/8
13	5000020	1	ELBOW, BRASS NPT-POLY, 1/8-1/4"
14	5000173	1	CONNECTOR, BRASS NPT-POLY, 1/8-3/16"
15	5000090	1	ELBOW, BRASS, EXTR'D 90 STREET, 1/8
16	5000104	1	NIPPLE, BRASS CLOSE, 1/8
17	5830004	1	O-RING, VITON, 3 1/8 ID X 1/8
18	5830005	1	O-RING, VITON, 11/16 ID X 3/32
19	9200419	1	ASSEMBLY, INLET CONTROL VALVE
20	P120002	1	COMPRESSOR, VR70

VMAC – Vehicle Mounted Air Compressors

Toll Free: 1-800-738-8622

Local: 1-250-740-3200

Fax: 1-250-740-3201

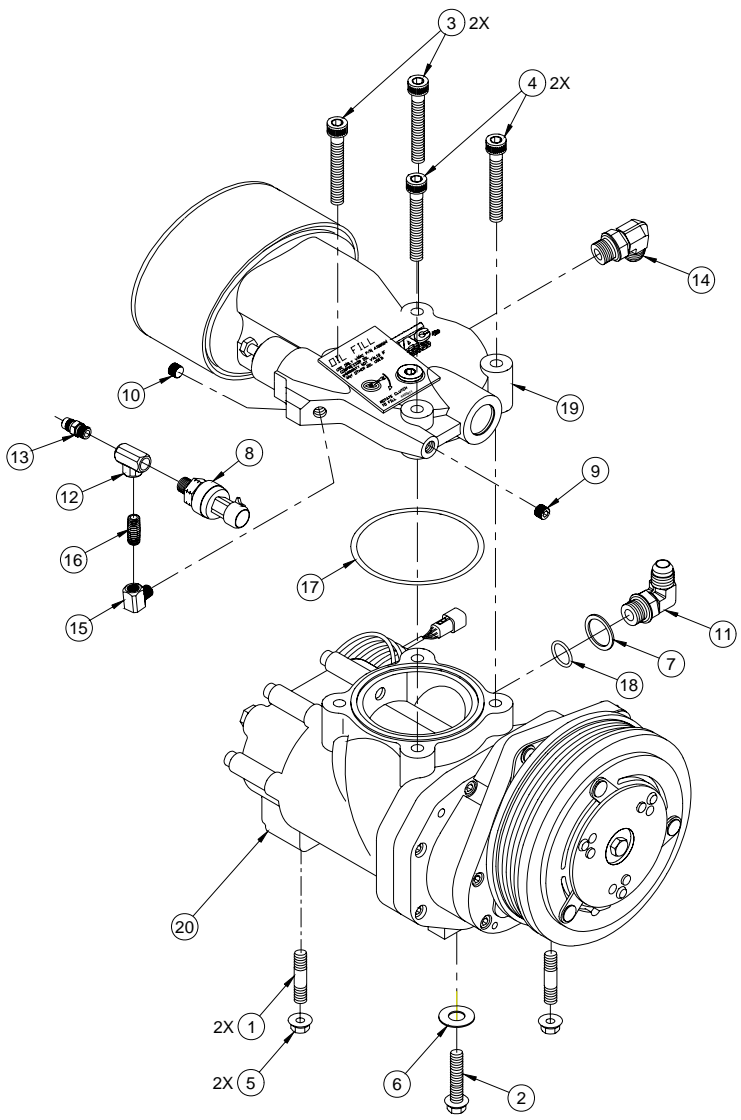


Figure 3 – Compressor Assembly

4 - Compressor Sub Components, P120002

Item #	Part #	Qty	Description
1	3550682	1	TEMPERATURE PROBE
2	P200035	1	CLUTCH COMPLETE 6 GROOVE

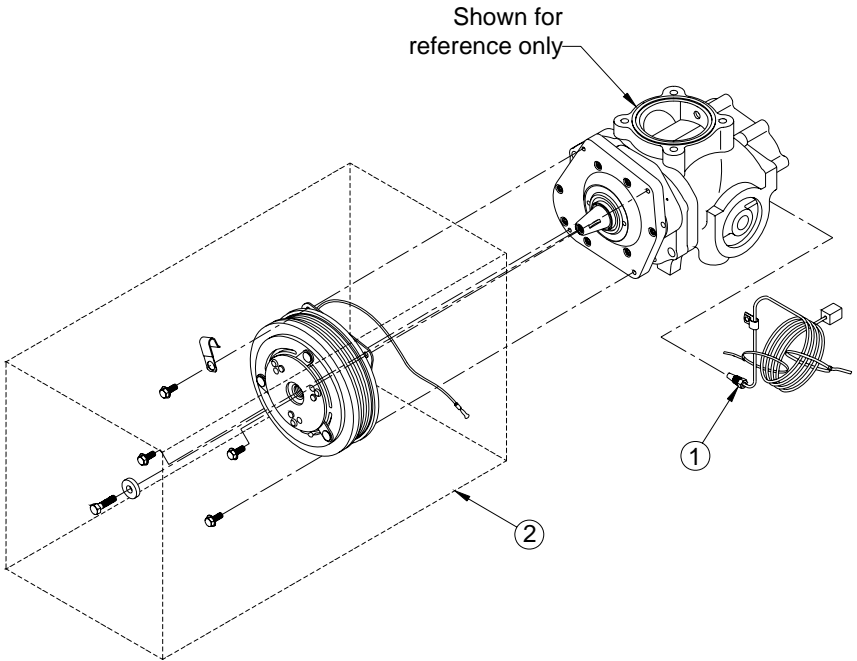


Figure 4– Compressor Sub Components

VMAC – Vehicle Mounted Air Compressors

Toll Free: 1-800-738-8622

Local: 1-250-740-3200

Fax: 1-250-740-3201

5 - Inlet Valve Sub Components, 9200419

Item #	Part #	Qty	Description
1	3600046	1	REGULATOR VALVE
2	4900045	1	PLUG
3	5830002	1	O-RING, VITON, 2 3/8 ID X 3/32
4	5830129	1	O-RING, VITON, 1 7/8 ID X 3/16
5	A700049	1	FILTER KIT ASSEMBLY
5.1	1500077	4	SCREW, BUTTON HEAD, 10 - 32 X 3/8
5.2	1500519	1	ROD, THREADED, 1/4 X 2.62
5.3	1550029	1	NUT, NYLOCK NC, 1/4
5.4	1550221	1	NUT, HEX NC PL, 1/4, GR8
5.5	1570038	1	WASHER, FLAT SAE, 1/4
5.6	3200205	1	PLATE, INNER FILTER
5.7	3600037	1	ELEMENT, FILTER, PAPER
5.8	3600066	1	COVER, AIR FILTER, PLASTIC
5.9	5830070	1	O-RING, VITON, 2 9/16 ID X 3/32

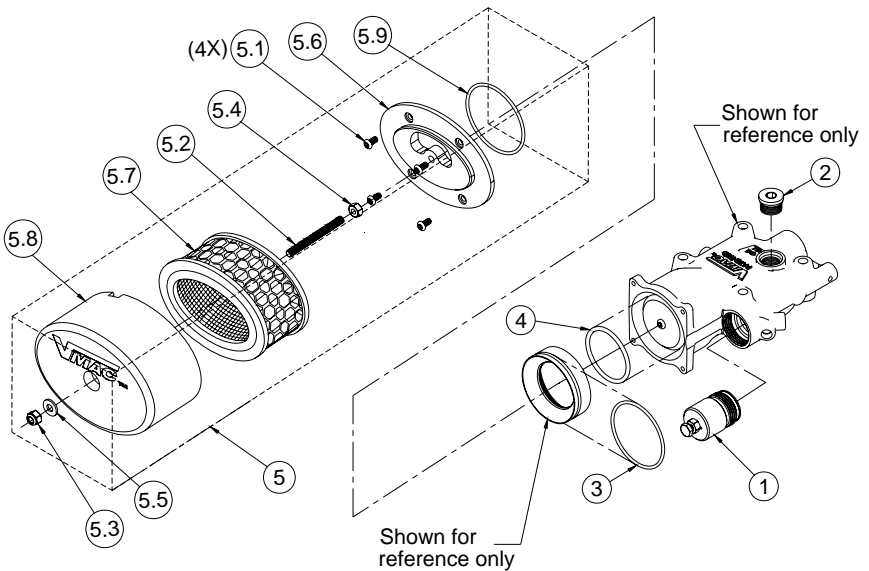


Figure 5 – Inlet Valve Sub Components

VMAC – Vehicle Mounted Air Compressors

Toll Free: 1-800-738-8622

Local: 1-250-740-3200

Fax: 1-250-740-3201

6 - Main Bracket Assembly, 4800348

Item #	Part #	Qty	Description
1	1100153	1	BRACKET, DODGE 5.9L
2	1300009	1	IDLER, SERP 7 RIB BACK
3	1300028	1	IDLER, 6 RIB
4	1400051	2	SPACER, IDLER - BOLT
5	1510161	2	BOLT, HHCS NC G8 FL, 1/2 X 1 1/4
6	1520419	1	BOLT, HHCS G10.9, M12 X 1.75 X 80
7	1570102	1	WASHER, FLAT SAE, 1/2
8	2600115	1	TENSIONER, MODIFIED (3300025)

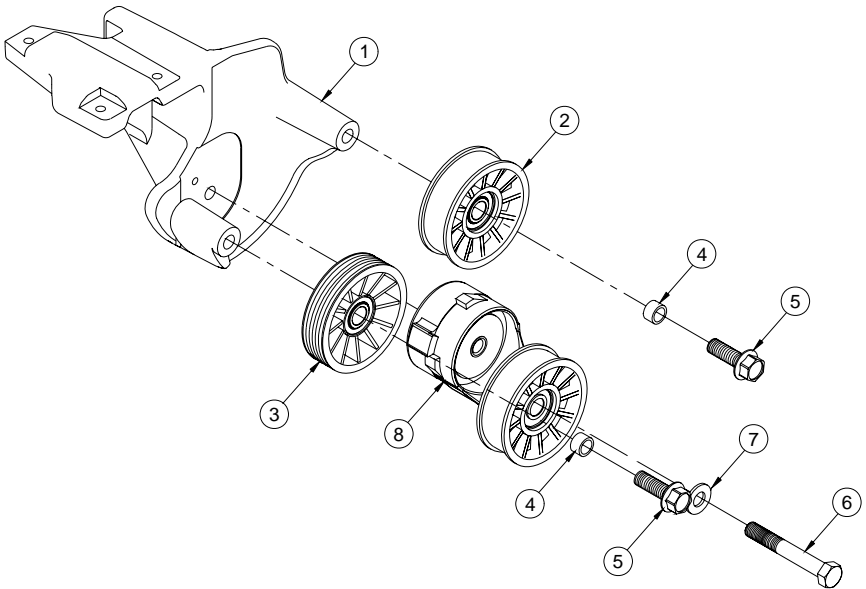


Figure 6 – Main Bracket Assembly

VMAC – Vehicle Mounted Air Compressors
 Toll Free: 1-800-738-8622
 Local: 1-250-740-3200
 Fax: 1-250-740-3201

7 - Tank Bracket Assembly, 4800511

Item #	Part #	Qty	Description
1	1200353	1	STRAP, BACKING
2	1200367	1	MOUNT, TANK STRAP
3	1510003	2	BOLT, HHCS NC G8 PL, 5/16 X 1
4	1550066	2	NUT, HEX NC, 5/16
5	1550084	2	NUT, NYLOCK NC PL, 5/16
6	1570067	2	WASHER, SAE, 5/16
7	1570476	1	WASHER, 5/16 ID X 3/4 OD
8	2200154	1	STRAP, CABLE

Note: Two assemblies per kit

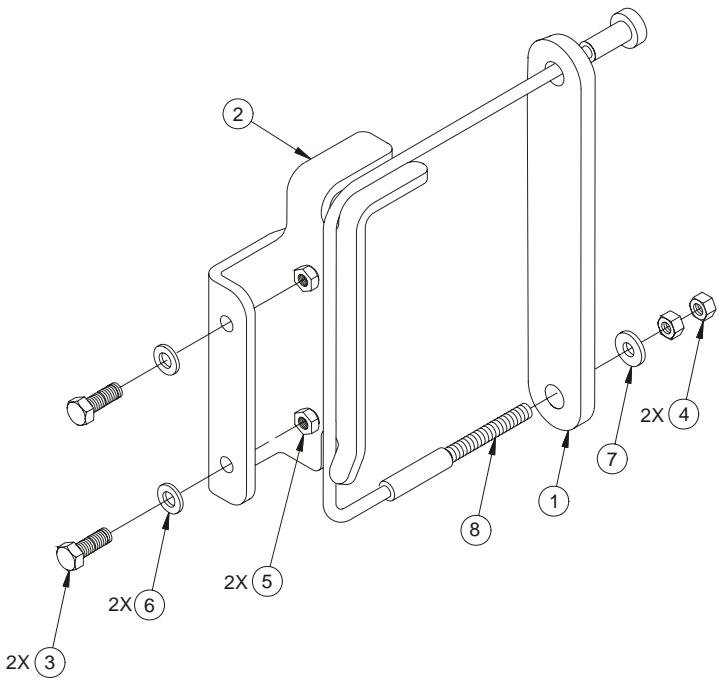


Figure 7 – Tank Bracket Assembly

VMAC – Vehicle Mounted Air Compressors

Toll Free: 1-800-738-8622

Local: 1-250-740-3200

Fax: 1-250-740-3201

8 - VR70 Tank, 9200430

Item #	Part #	Qty	Description
1	1510086	6	BOLT, HHCS NC G5 FL LK, 3/8 X 1
2	1510522	2	BOLT, HHCS NC G8 FL LK PL, 1/4 X 1/2
3	3200231	1	COVER, SIGHT GLASS
4	3600064	1	SEAL, TANK REAR CAP
5	3600090	1	THIMBLE, SCREEN
6	4900033	1	CONNECTOR, STEEL NPT-JIC, 3/4-3/4
7	4900035	1	NIPPLE, STEEL STR THRD, 3/4 - 16
8	4900106	1	PLUG, STEEL, #5 ORB, HEX
9	5000020	1	ELBOW, BRASS NPT-POLY, 1/8-1/4"
10	5000089	1	CONNECTOR, BRASS NPT-SAE, 3/8 - 1/2
11	5000165	1	ELBOW,90, BRASS NPT-POLY, 1/8-3/16"
12	5000160	1	ADAPTER, BRASS, 1/8-1/8 NPT
13	A700152	1	ELEMENT, SEP, COALESCING
14	5830066	1	O-RING, VITON, 4 3/4 ID X 1/8
15	5840069	1	SPRING, COMPRESSION, FL 1.5",OD .54
16	9200039	1	OIL FILTER, VR 3.250 SHORT
17	9200437	1	ASSEMBLY, BLOWDOWN CAP
17.1	3600054	1	VALVE, SAFETY, 3/8, 200 PSI
17.2	4500104	1	MUFFLER, SINTERED EXHAUST, 1/8"
18	9200378	1	TANK, OIL SEPARATOR
19	A700061	1	SIGHT GLASS ASSEMBLY

VMAC – Vehicle Mounted Air Compressors

Toll Free: 1-800-738-8622

Local: 1-250-740-3200

Fax: 1-250-740-3201

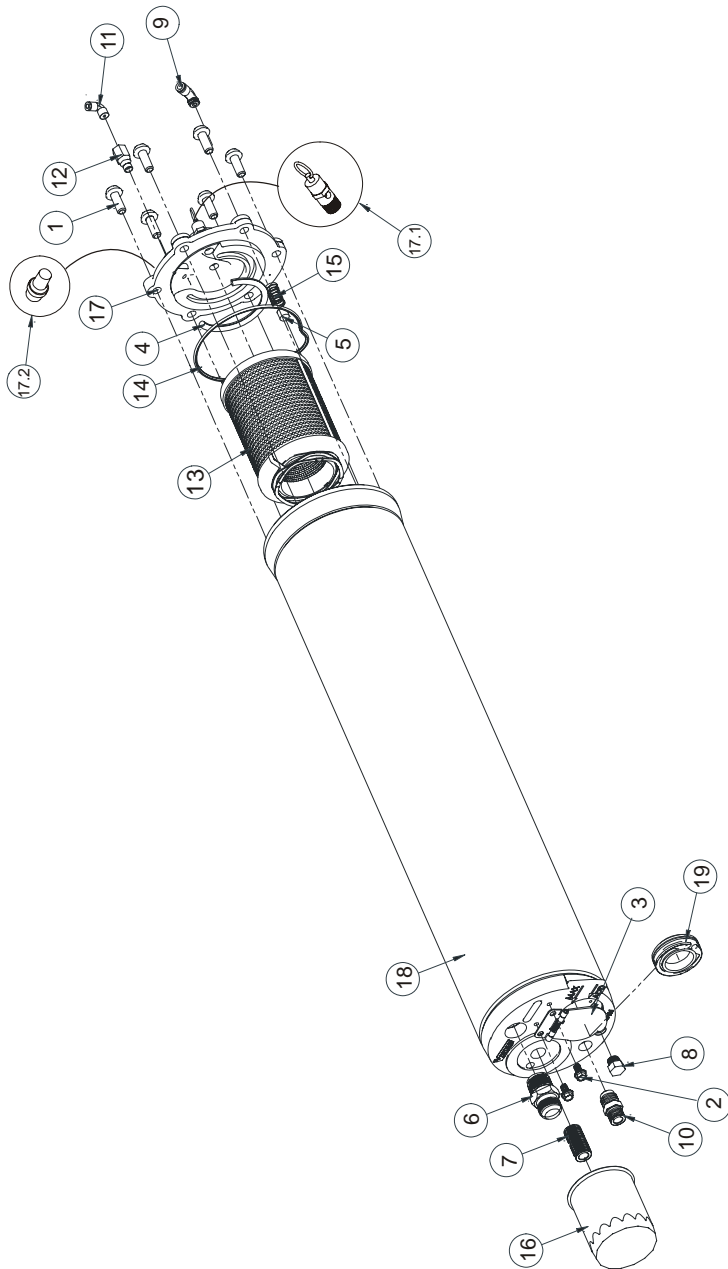


Figure 8 - VR70 Tank

9 - Cooler Assembly, 4800349

Item #	Part #	Qty	Description
1	1400051	1	SPACER, IDLER - BOLT
2	1550066	4	NUT, HEX NC, 5/16
3	1570476	2	WASHER, 5/16 ID X 3/4 OD
4	1710610	1	HOSE, RAD (LARGE) (1700528)
5	1710684	1	HOSE, MODIFIED
6	2200027	4	CLAMP, HOSE HS32
7	2200155	2	STRAP, TANK COOLER, 14.5
8	5000028	1	ELBOW, BRASS, NPT-HOSE, 1/2-5/8
9	9200358	1	COOLER, V900071

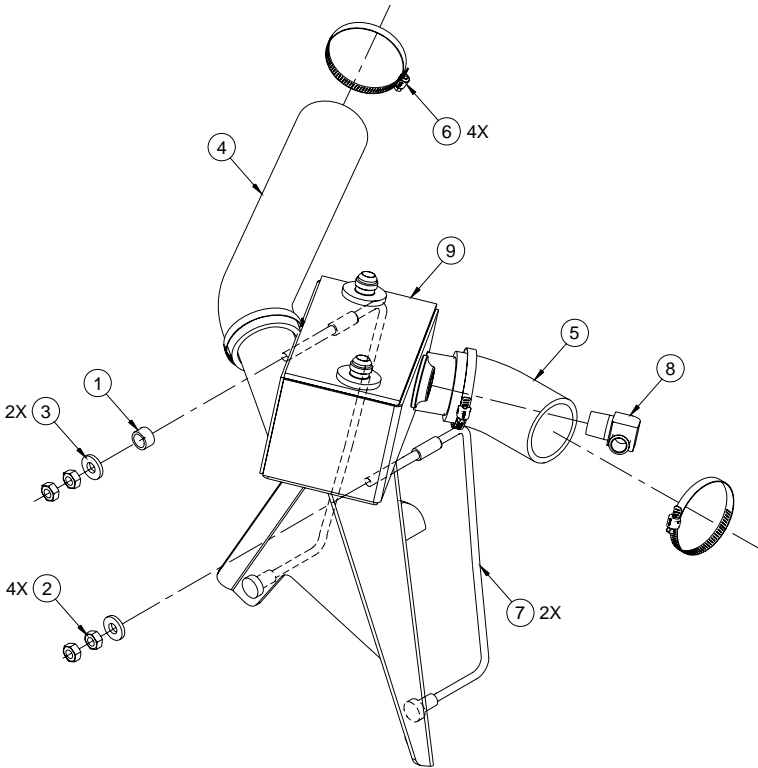


Figure 9 - Cooler Assembly

VMAC – Vehicle Mounted Air Compressors

Toll Free: 1-800-738-8622

Local: 1-250-740-3200

Fax: 1-250-740-3201