

# Illustrated Parts List for VMAC System V90082

## FORD 5.4L TRITON V8 F250 - F550 2005 – 2007

1 - Kit Pack List .....	2
2 - Fastener Pack, 3800518.....	4
3 - Compressor Assembly, P120109 .....	6
4 - Compressor Sub Components, P120002.....	8
5 - Inlet Valve Sub Components, 9200420 .....	9
6 - Main Bracket Assembly, 4800439 .....	10
7 - Tank Mount Strap Assembly, 4800509.....	11
8 - VR70 Tank, 9200430 .....	12
9 - Cooler Assembly, 4800440.....	14

### Document 1930097 Changes and Revisions

Version	Revision Details	Revised by/date	Approved by/date	Implemented
-	New Format	YBD/21SEP05	SM/26SEP05	03OCT2005
A	2007 update	YBD/01AUG06	BC/04AUG06	09AUG2006
B	ECN 06-220 Coal. Spring	IB 31 Oct 06	SM 01 Nov 06	02 Nov 06
C	ECN 07-010 number chng	IB 3 Feb 2007	BC 06 Feb 2007	09 Feb 2007
D	ECN 07-074	IB 1 May 2007	SH 01 May 2007	04 May 2007
E	ECN 07-145	IB 10 Oct 2007	MH 19 Nov 2007	23 Nov 2007

### **VMAC – Vehicle Mounted Air Compressors**

Toll Free: 1-800-738-8622

Local: 1-250-740-3200

Fax: 1-250-740-3201

## 1 - Kit Pack List

Item #	Part#	Qty	Description
1	1200458	1	BRACKET
2	1610336	1	BELT, K060874
3	1710719	1	HOSE, COOLANT, 1" MOULDED
4	1752045	1	HOSE, CRIMPED, 1/2" X 45"
5	1752083	1	HOSE, CRIMPED, 1/2" X 83"
6	1771081	1	HOSE, CRIMPED, 3/4" X 81"
7	1800159	1	PULLEY, CRANK FORD TRITON CAST VER
8	1930060	1	MANUAL, OWNERS GENERIC, VR70 & 140
9	1930075	1	MANUAL, INSTALLATION
10	1930097	1	ILLUSTRATED PARTS LIST
11	2200105	2	CLAMP, MOUNTING BRACKET C, 6
12	3550727	1	VR CONTROL BOX, REMOTE OPTION
13	3550737	1	INTERFACE CABLE,
14	3560093	1	TC, VR, FORD
15	3800518	1	FAST PACK, V900082
16	4800509	2	STRAP, TANK MOUNT ASSY
17	4800413	1	SYSTEM OPERATION INSTRUCTION AND ID
18	4800439	1	BRACKET, IDLER, ASSEMBLY
19	4800440	1	ASSEMBLY, COOLER
20	9200430	1	TANK, VR70 DRESSED INT OIL FILTER
21	A700091	1	OIL, VR, 1L, HIGH PERFORMANCE
22	A700094	1	OIL, VR, 4L, HIGH PERFORMANCE
23	P120109	1	COMPRESSOR ASSEMBLY

**VMAC – Vehicle Mounted Air Compressors**

Toll Free: 1-800-738-8622

Local: 1-250-740-3200

Fax: 1-250-740-3201

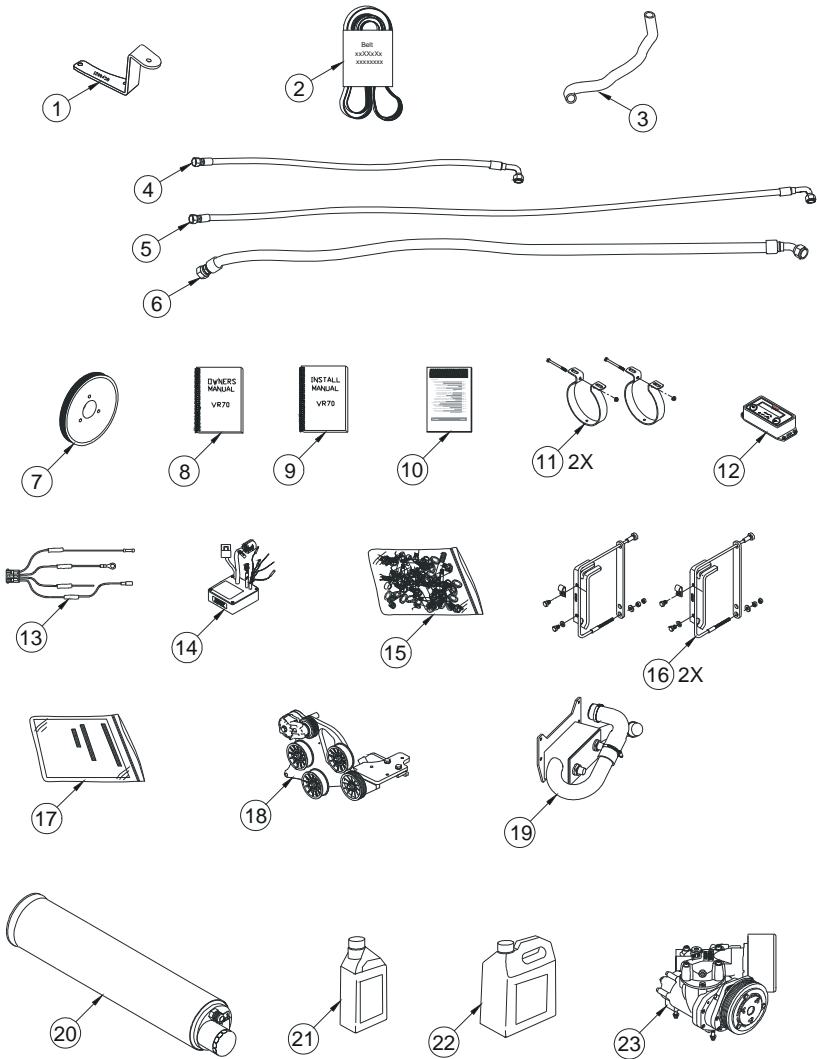


Figure 1 - Kit Pack List

2 - Fastener Pack, 3800518

Item #	Part #	Qty	Description
1	3800249	1	FAST PACK, PULLEY
1.1	1520150	3	BOLT, HHCS G10.9, M10 X 1.5 X 70
1.2	1570044	3	WASHER, ALLOY PL SAE, 3/8
2	3800519	1	FAST PACK, MAIN BRACKET
2.1	1500472	1	SCREW, SHCS, 10 - 24 X 1
2.2	1520013	1	BOLT, HHCS G10.9, M10 X 1.5 X 35
2.3	1540521	3	BOLT, SHCS, M8 X 1.25 X 110
2.4	1540551	1	BOLT, SHCS, M16 X 2 X 70, G12.9
2.5	1570044	1	WASHER, ALLOY PL SAE, 3/8
2.6	1570067	2	WASHER, SAE, 5/16
2.7	2200165	1	TIE, NYLON, BLACK, 8" C/W SCREW TAB
3	3800520	1	FAST PACK, HOSE
3.1	1560510	2	NUT, M6X 1.0 ZINC PL
3.2	2200027	1	CLAMP, HOSE HS32
3.3	2200047	4	CLAMP, HOSE HS16
3.4	2200147	2	CLAMP, C R.I., 2"
3.5	4900097	1	CONNECTOR, 1" X 1" OD POLY INSERT
4	3800521	1	FAST PACK, FAN SPACER
4.1	3400059	1	SPACER, FAN
5	3800522	1	FAST PACK, TANK
5.1	1400265	2	SPACER
6	3800570	1	FASTENER PACK, WIRING LOOM
6.1	1700029	1	LOOM, SPLIT PLASTIC, 1/2 X 96
6.2	2200039	10	TIE, NYLON MD, 7"
7	3800662	1	FASTENER PACK
7.1	1700570	127.5	TUBE, TEFLON, PTFE, 1/4"OD X 3/16"ID
7.2	1700571	116.5	TUBE, TEFLON,PTFE, 3/16"OD X 1/8"ID
7.3	1700581	116.5	LOOM, SPLIT PLASTIC, 1/4, HIGH TEMP
7.4	1700581	127.5	LOOM, SPLIT PLASTIC, 1/4, HIGH TEMP
7.5	2200039	10	TIE, NYLON MD, 7"

**VMAC – Vehicle Mounted Air Compressors**

Toll Free: 1-800-738-8622

Local: 1-250-740-3200

Fax: 1-250-740-3201

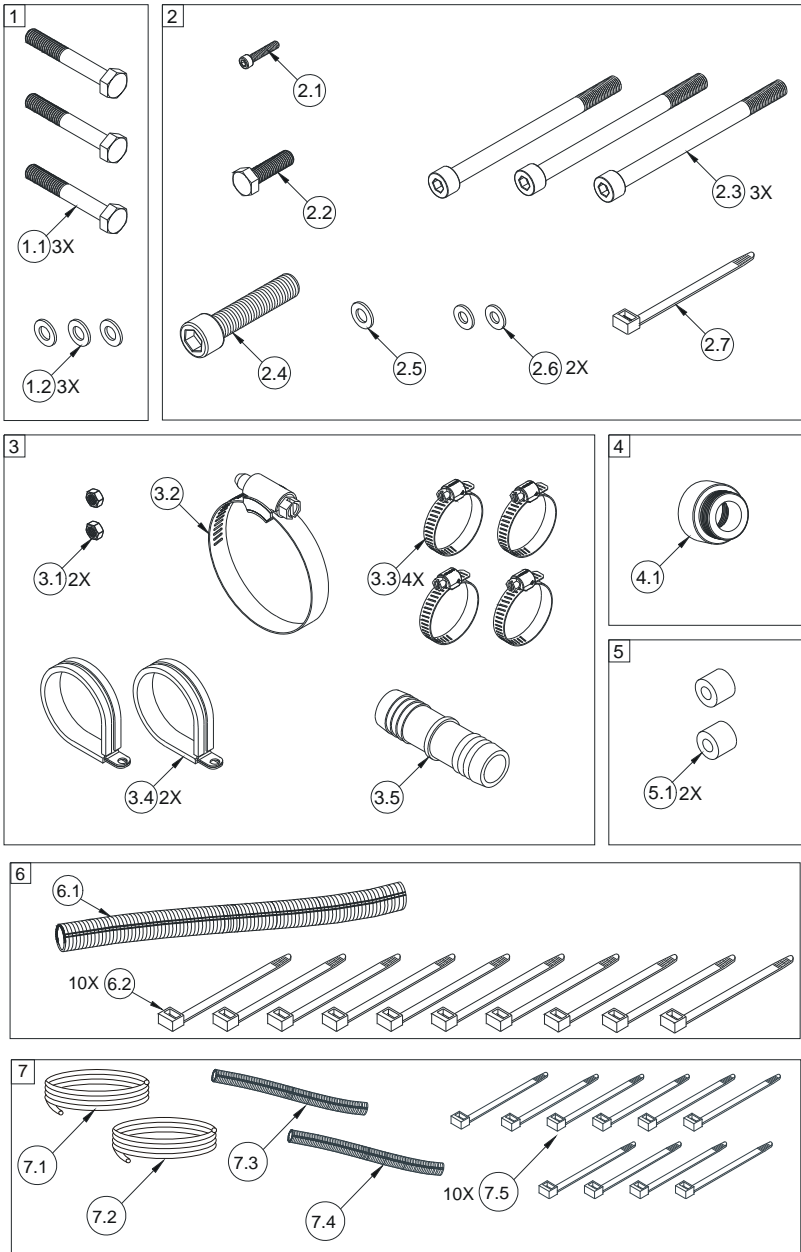


Figure 2 – Fastener Packs

**VMAC – Vehicle Mounted Air Compressors**

Toll Free: 1-800-738-8622

Local: 1-250-740-3200

Fax: 1-250-740-3201

### 3 - Compressor Assembly, P120109

Item #	Part #	Qty	Description
1	1500399	3	STUD, M8 X 1.25 X 38
2	1540375	2	BOLT, SHCS, M8 X 1.25 X 45
3	1540389	4	BOLT, SHCS, M8 X 1.25 X 18, LOW PRO
4	1540550	2	BOLT, SHCS, M8 X 1.25 X 50, GR 12.9
5	1560508	3	NUT, W/DBL SER WASHER, M8 X 1.25
6	1570482	1	WASHER
7	3500288	1	SENSOR, PRESSURE
8	4300076	1	PIPE FTG, PLUG SKT HEAD, 1/8
9	4300076	1	PIPE FTG, PLUG SKT HEAD, 1/8
10	4900002	1	ELBOW, STEEL JIC/O-RING, 1/2 3/4-16
11	5000020	1	ELBOW, BRASS NPT-POLY, 1/8-1/4"
12	5000173	1	CONNECTOR, BRASS NPT-POLY, 1/8-3/16"
13	5000090	1	ELBOW, BRASS, EXTR'D 90 STREET, 1/8
14	5000121	1	TEE, STREET, EXTRUDED, 1/8
15	5830004	2	O-RING, VITON, 3 1/8 ID X 1/8
16	5830005	1	O-RING, VITON, 11/16 ID X 3/32
17	9200037	1	ADAPTOR, ANGLE MOUNT
18	9200420	1	INLET VALVE, CONTROL ASSY.
19	P120002	1	COMPRESSOR, VR70

**VMAC – Vehicle Mounted Air Compressors**

Toll Free: 1-800-738-8622

Local: 1-250-740-3200

Fax: 1-250-740-3201

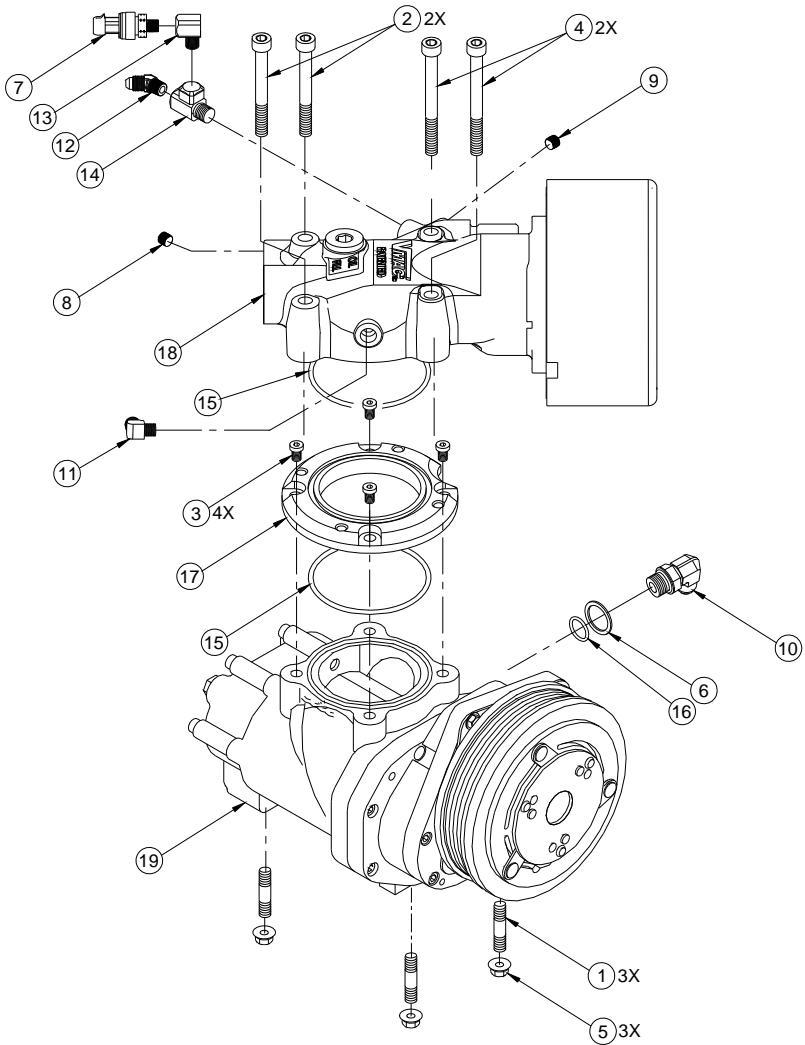


Figure 3 – Compressor Assembly

#### 4 - Compressor Sub Components, P120002

Item #	Part #	Qty	Description
1	3550682	1	TEMPERATURE PROBE
2	P200035	1	CLUTCH COMPLETE 6 GROOVE

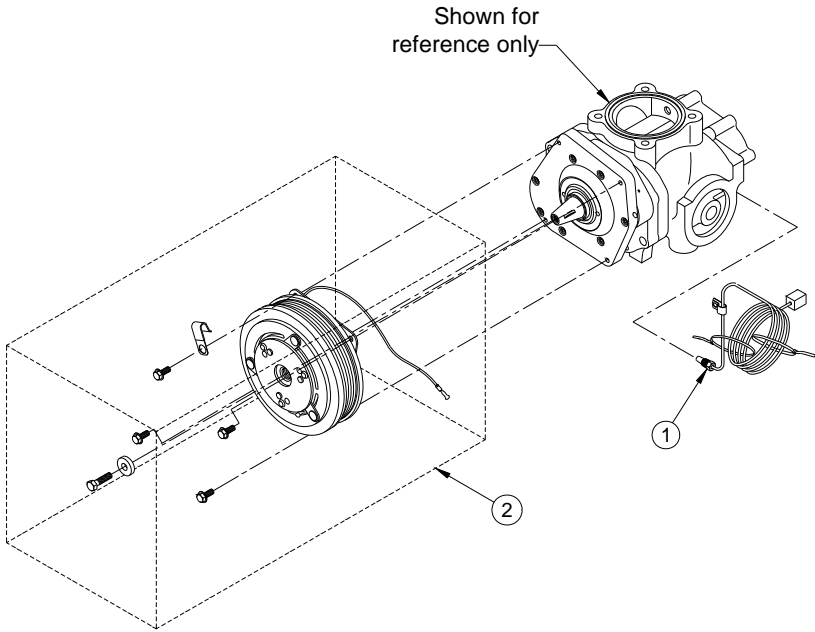


Figure 4– Compressor Sub Components

**VMAC – Vehicle Mounted Air Compressors**  
Toll Free: 1-800-738-8622  
Local: 1-250-740-3200  
Fax: 1-250-740-3201



## 5 - Inlet Valve Sub Components, 9200420

Item #	Part #	Qty	Description
1	1500077	4	SCREW, BUTTON HEAD, 10 - 32 X 3/8
2	1500519	1	ROD, THREADED, 1/4 X 2.62
3	1550029	1	NUT, NYLOCK NC, 1/4
4	1550221	1	NUT, HEX NC PL, 1/4, GR8
5	1570038	1	WASHER, FLAT SAE, 1/4
6	3200268	1	PLATE, INNER FILTER, VERTICAL
7	3600037	1	ELEMENT, FILTER, PAPER
8	3600046	1	KIT, REGULATOR
9	3600066	1	COVER, AIR FILTER, PLASTIC
10	4900045	1	PLUG
11	5830002	1	O-RING, VITON, 2 3/8 ID X 3/32
12	5830129	1	O-RING, VITON, 1 7/8 ID X 3/16
13	5830070	1	O-RING, VITON, 2 9/16 ID X 3/32

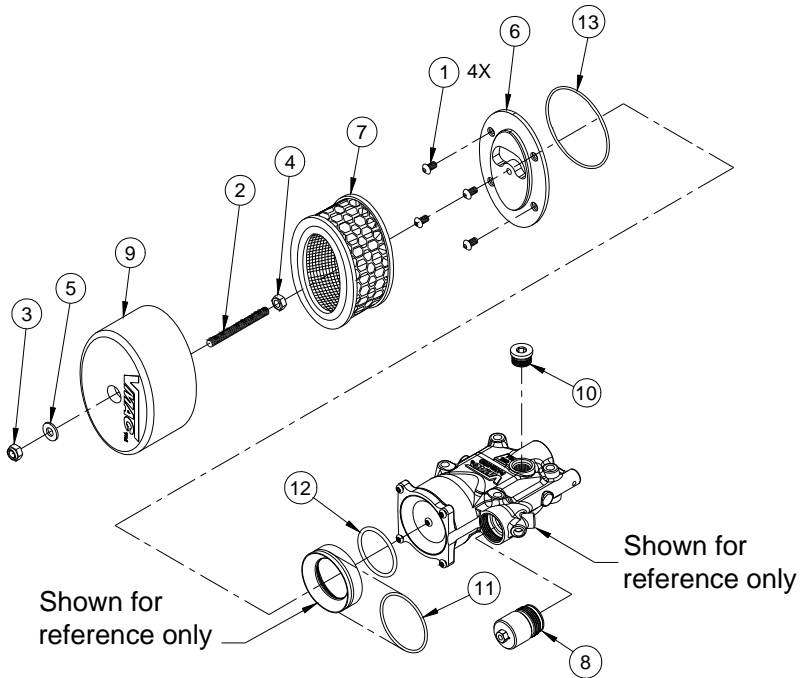


Figure 5 – Inlet Valve Sub Components

**VMAC – Vehicle Mounted Air Compressors**

Toll Free: 1-800-738-8622

Local: 1-250-740-3200

Fax: 1-250-740-3201

6 - Main Bracket Assembly, 4800439

Item #	Part #	Qty	Description
1	1100168	1	BRACKET, MAIN
2	1200459	1	BRACKET
3	1300030	1	IDLER, SERP, 6 GROOVE, FLANGE, 90MM
4	1300031	3	IDLER, SERP, BACK, FLANGE, 90MM
5	1400051	4	SPACER, IDLER - BOLT
6	1510161	4	BOLT, HHCS NC G8 FL, 1/2 X 1 1/4
7	1520011	1	BOLT, HHCS G10.9, M10 X 1.5 X 90
8	1520090	2	BOLT, HHCS G10.9, M10 X 1.5 X 30
9	1560037	1	NUT, PL, M10 X 1.5
10	1570044	4	WASHER, ALLOY PL SAE, 3/8
11	2600121	1	TENSIONER, MODIFIED, (3300030)

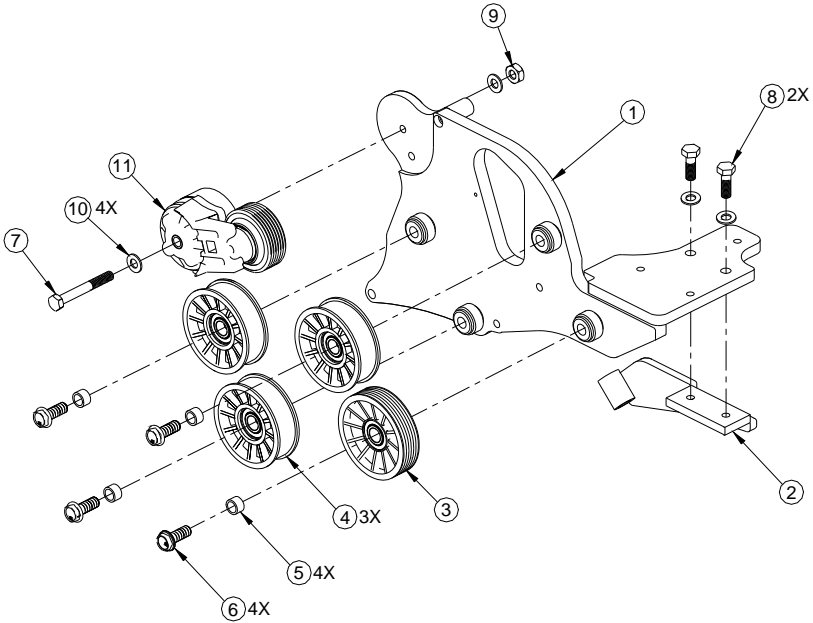


Figure 6 – Main Bracket Assembly

**VMAC – Vehicle Mounted Air Compressors**

Toll Free: 1-800-738-8622

Local: 1-250-740-3200

Fax: 1-250-740-3201

## 7 - Tank Mount Strap Assembly, 4800509

Item #	Part #	Qty	Description
1	1200236	1	BRACKET, STRAP, TANK MOUNT
2	1200266	1	BRACKET, TANK MOUNT CLIP
3	1200296	1	BRACKET, TANK MOUNT
4	1400162	1	SPACER, CABLE
5	1510349	2	BOLT, HHCS NC G8 PL, 5/16 X 1/2
6	1550066	2	NUT, HEX NC, 5/16
7	1570067	2	WASHER, SAE, 5/16
8	1570476	1	WASHER, 5/16 ID X 3/4 OD
9	2200120	1	STRAP, TANK CABLE, 17

Note: Two assemblies per kit

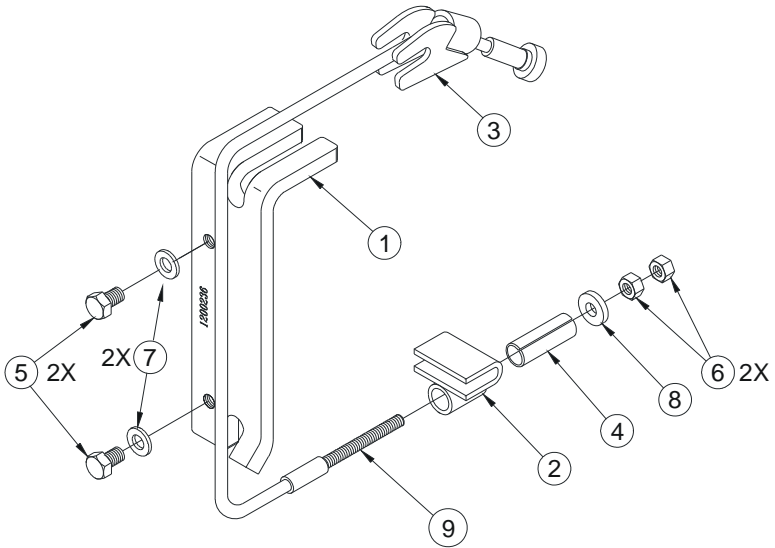


Figure 7 – Tank Mount Strap Assembly

**VMAC – Vehicle Mounted Air Compressors**

Toll Free: 1-800-738-8622

Local: 1-250-740-3200

Fax: 1-250-740-3201

8 - VR70 Tank, 9200430

Item #	Part #	Qty	Description
1	1510086	6	BOLT, HHCS NC G5 FL LK, 3/8 X 1
2	1510522	2	BOLT, HHCS NC G8 FL LK PL, 1/4 X 1/2
3	3200231	1	COVER, SIGHT GLASS
4	3600064	1	SEAL, TANK REAR CAP
5	3600090	1	THIMBLE, SCREEN
6	4900033	1	CONNECTOR, STEEL NPT-JIC, 3/4-3/4
7	4900035	1	NIPPLE, STEEL STR THRD, 3/4 - 16
8	4900106	1	PLUG, STEEL, #5 ORB, HEX
9	5000020	1	ELBOW, BRASS NPT-POLY, 1/8-1/4"
10	5000089	1	CONNECTOR, BRASS NPT-SAE, 3/8 - 1/2
11	5000165	1	ELBOW,90, BRASS NPT-POLY, 1/8-3/16"
12	5000170	1	FITTING, 3/8 TUBE- 1/8 NPT
13	5000171	1	FITTING, 7/16 TUBE- 1/8 NPT
14	5830066	1	O-RING, VITON, 4 3/4 ID X 1/8
15	5840069	1	SPRING, COMPRESSION, FL 1.5",OD .54
16	9200039	1	OIL FILTER, VR 3.250 SHORT
17	9200364	1	ASSEMBLY, BLOWDOWN CAP
17.1	3600054	1	VALVE, SAFETY, 3/8, 200 PSI
17.2	4500104	1	MUFFLER, SINTERED EXHAUST, 1/8"
18	9200378	1	TANK, OIL SEPARATOR
19	A700061	1	SIGHT GLASS ASSEMBLY
20	A700152	1	ELEMENT, SEP, COALESCING

**VMAC – Vehicle Mounted Air Compressors**

Toll Free: 1-800-738-8622

Local: 1-250-740-3200

Fax: 1-250-740-3201

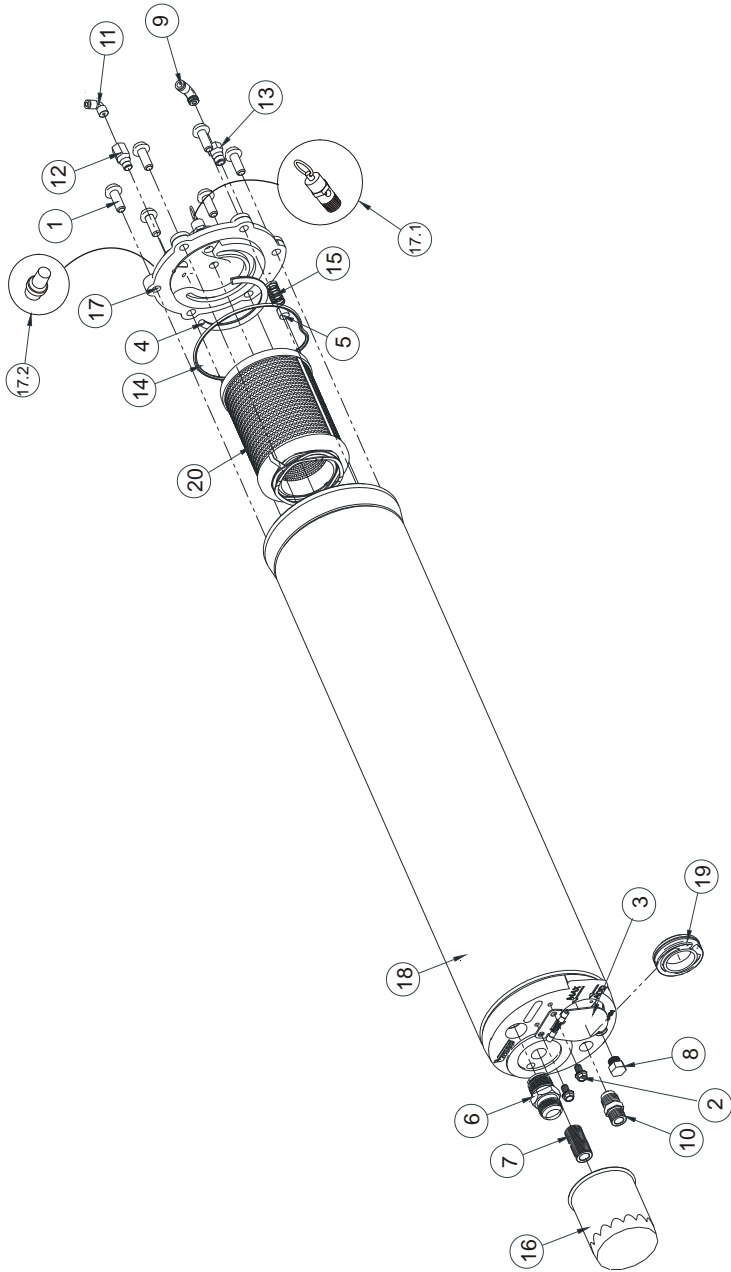


Figure 8 - VR70 Tank

**VMAC – Vehicle Mounted Air Compressors**  
 Toll Free: 1-800-738-8622  
 Local: 1-250-740-3200  
 Fax: 1-250-740-3201

9 - Cooler Assembly, 4800440

Item #	Part #	Qty	Description
1	1200453	2	BRACKET
2	1400225	2	SPACER
3	1520011	4	BOLT, HHCS G10.9, M10 X 1.5 X 90
4	1710678	1	HOSE, MODIFIED
5	2200027	2	CLAMP, HOSE HS32
6	9200389	1	COOLER

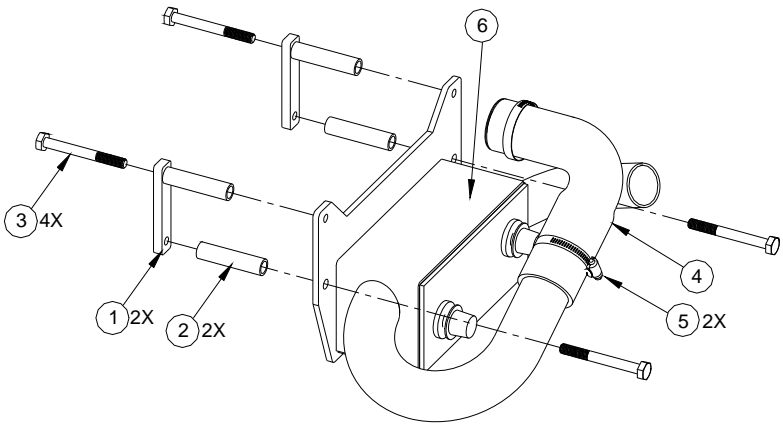


Figure 9 - Cooler Assembly

**VMAC – Vehicle Mounted Air Compressors**  
 Toll Free: 1-800-738-8622  
 Local: 1-250-740-3200  
 Fax: 1-250-740-3201