

Illustrated Parts List for VMAC System V900079

GM 6.6L C4500 – C5500 2004.5-2005

1 - Kit Pack List, V900079.....	2
2 - Fastener Pack, 3800517.....	4
3 - Compressor Assembly, P120069	6
4 - Compressor Sub Components, P120005.....	8
5 - Inlet Valve Sub Components, 9200377	9
6 - Main Bracket Assembly, 4800467	10
7 - VR70 Tank, 9200380	12
8 - Tank Mount Strap Assembly, 4800441.....	14
9 – Cooler Assembly, 4800333.....	15
10 - Adaptor Kit, 150 AMP Alternator, 1630202.....	15

Document 1930094 - Changes and Revisions

Version	Revision Details	Revised by/date	Approved by Date	Implemented
-	New Format	YBD/21SEP05	SM/21SEP05	03OCT2005
A	Control Box	YBD/16MAR06		21MAR06
B	ECN 06-179	YBD/14AUG06	SM/14AUG06	17AUG2006
C	ECN 06-220 Coal. Spring	IB 31 Oct 06	SM 01 Nov 06	02 Nov 06
D	ECN 06-239 Main bracket	IB 24 Nov 2006	TG 29 Nov 2006	01 Dec 2006
E	ECN 06-265 Comp parts	IB 19 Dec 2006	TG 21 Dec 2006	27 Dec 2006

VMAC – Vehicle Mounted Air Compressors

Toll Free: 1-800-738-8622

Local: 1-250-740-3200

Fax: 1-250-740-3201

1 - Kit Pack List, V900079

Item #	Part #	Qty	Description
1	1200416	1	BRACKET, FUEL MODULE MOUNTING
2	1200418	1	BRACKET, FUEL MODULE MOUNTING
3	1610337	1	BELT, K061150
4	1650293	1	BELT, 5060870, 87
5	1730147	1	HOSE, CRIMPED, 1/4" X 147"
6	1740147	1	HOSE, CRIMPED, 5/16" X 147"
7	1752052	1	HOSE, CRIMPED, 1/2" X 52"
8	1752128	1	HOSE, CRIMPED, 1/2" X 128"
9	1770105	1	HOSE, CRIMPED, 3/4" X 105"
10	1800161	1	PULLEY ASSEMBLY
11	1930060	1	MANUAL, OWNERS GENERIC, VR70 & 140
12	1930076	1	MANUAL, INSTALLATION
13	1930094	1	ILLUSTRATED PARTS LIST
14	2200105	2	CLAMP, MOUNTING BRACKET C, 6
15	3550404	1	CONTROL PANEL – LOW PROFILE
16	3550412	1	SWITCHING BOX
17	3550674	1	INTERFACE CABLE
18	3560090	1	THROTTLE, DURAMAX
19	3800517	1	FAST PACK
20	4800333	1	COOLER, ASSEMBLY
21	4800413	1	SYSTEM OPERATION INSTRUCTION AND ID
22	4800467	1	ASSEMBLY, MAIN BRACKET
23	4800441	2	ASSEMBLY, TANK MOUNT STRAP
24	9200380	1	TANK, VR70 DRESSED INT OIL FILTER
25	A700091	1	OIL, VR, 1L, HIGH PERFORMANCE
26	A700094	1	OIL, VR, 4L, HIGH PERFORMANCE
27	P120069	1	COMPRESSOR ASSEMBLY, DURAMAX

VMAC – Vehicle Mounted Air Compressors

Toll Free: 1-800-738-8622

Local: 1-250-740-3200

Fax: 1-250-740-3201

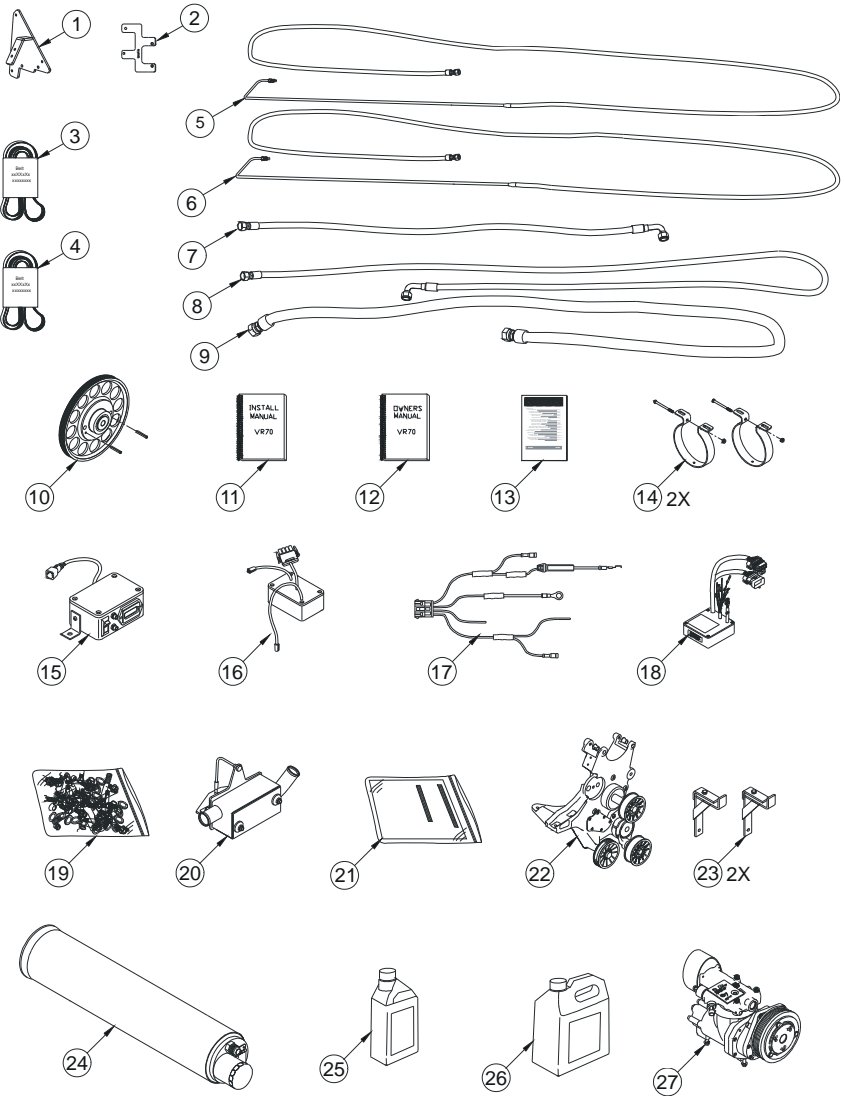


Figure 1 - Kit Pack List (not to scale)

2 - Fastener Pack, 3800517

Item #	Part #	Qty	Description
1	3800279	1	FAST PACK, PULLEY
1.1	1520518	1	BOLT, HHCS G10.9, M18 X 1.5 X 100
1.2	3200234	1	KEY, LOCATING
2	3800355	1	FAST PACK, FAN SPACER,
2.1	1520513	4	BOLT, HHCS G10.9, M8 X 1.25 X 30
2.2	1570476	4	WASHER, 5/16 ID X 3/4 OD
2.3	3400046	1	SPACER, FAN
2.4	3400049	1	SPACER, FAN
3	3800357	1	FAST PACK, TANK,
3.1	1510086	4	BOLT, HHCS NC G5 FL LK, 3/8 X 1
3.2	1550504	4	NUT, FLANGE LOCK NC GR5, 3/8
3.3	2200150	2	CLAMP, DOUBLE TUBE STYLE 13/32
4	3800364	1	FAST PACK, COOLER HOSE
4.1	2200026	2	CLAMP, HOSE HS28
5	3800367	1	FASTENER PACK, TIES, SECURING
5.1	2200018	8	TIE, NYLON MD, 11
6	3800474	1	FAST PACK, FCM
6.1	1510177	2	BOLT, HHCS NC G8 PL, 1/4 X 1
6.2	1520547	2	BOLT, HHCS G10.9, M8 X 1.25 X 16
6.3	1540544	2	BOLT, SHCS, M8 X 1.25 X 75
6.4	1570067	2	WASHER, SAE, 5/16
6.5	4900091	1	CONNECTOR, BANJO FITTING
6.6	4900092	1	ASSEMBLY, BANJO FITTING
7	3800535	1	FAST PACK, DUAL ALTERNATOR BRACKET
7.1	1200466	1	BRACKET, DUAL ALT.
7.2	1200467	1	BRACKET, AIR CLEANER
7.3	1520147	1	BOLT, HHCS G8.8, M8 X 1.25 X 20 FULL
7.4	1520210	1	BOLT, HHCS G10.9, M10 X 1.5 X 80
7.5	1560138	1	NUT, NYLOCK PL, M10 X 1.5
7.6	1570048	1	WASHER, ALLOY PL SAE, 7/16
7.7	1570067	1	WASHER, SAE, 5/16
8	3800536	1	FAST PACK, FUEL LINES
8.1	1710600	1	HOSE, 1/2 FUEL LINE 12.0" (1700517)
8.2	1710601	1	HOSE, 1/2 FUEL LINE 6.0" (1700517)
8.3	2200001	4	CLAMP, HOSE MH-6
9	3800567	1	FAST PACK, COMPRESSOR MOUNT FRONT
9.1	1520203	1	BOLT, HHCS G10.9, M8 X 1.25 X 25 FULL
9.2	1570260	1	WASHER, INT SERR LOCK, 5/16
10	3800568	1	FAST PACK, COMPRESSOR MOUNT REAR
10.1	1520147	1	FOLT, HHCS G8.8, M8 X 1.25 X 20 FULL
10.2	1570260	1	WASHER, INT SERR LOCK, 5/16

VMAC – Vehicle Mounted Air Compressors

Toll Free: 1-800-738-8622

Local: 1-250-740-3200

Fax: 1-250-740-3201

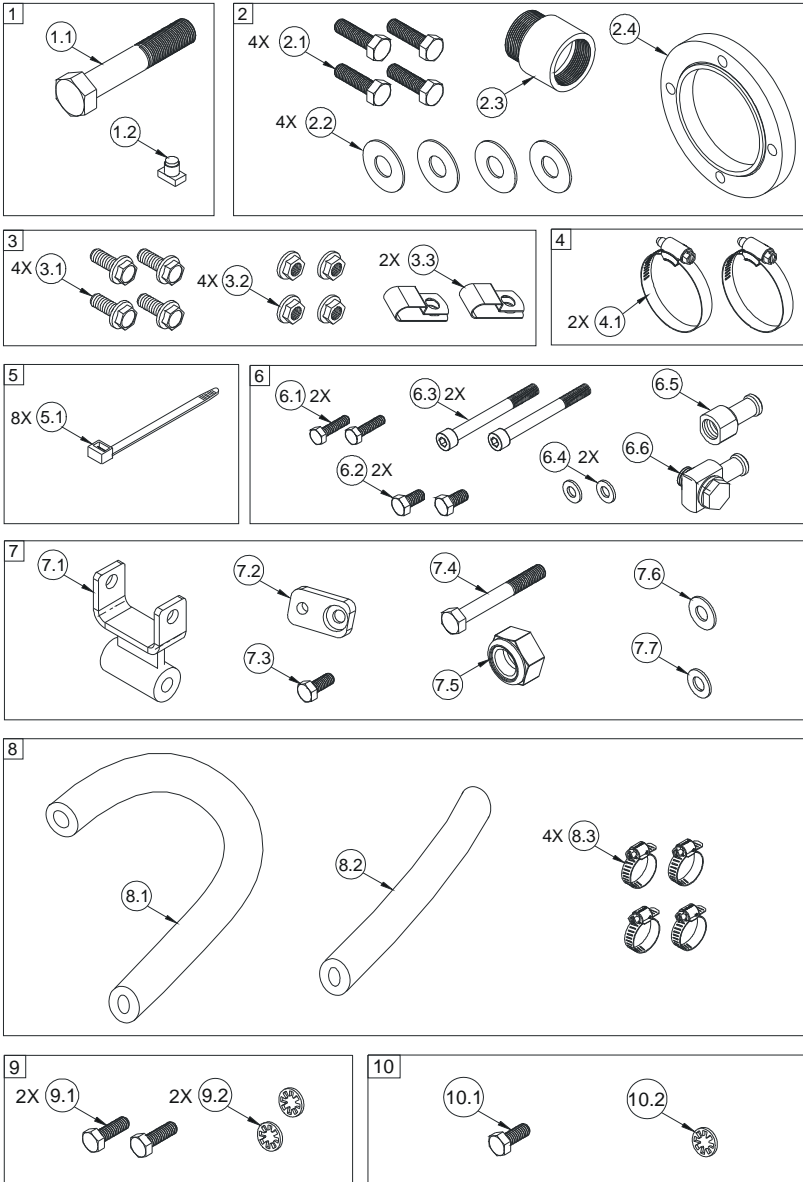


Figure 2 – Fastener Packs

VMAC – Vehicle Mounted Air Compressors

Toll Free: 1-800-738-8622

Local: 1-250-740-3200

Fax: 1-250-740-3201

3 - Compressor Assembly, P120069

Item #	Part #	Qty	Description
1	1540533	2	BOLT, SHCS, M8 X 1.25 X 70
2	1540544	2	BOLT, SHCS, M8 X 1.25 X 75
3	1570482	1	WASHER
4	3200277	1	ADAPTOR, INLET VALVE MOUNT
5	3500288	1	SENSOR, PRESSURE
6	4300076	1	PIPE FTG, PLUG SKT HEAD, 1/8
7	4300076	1	PIPE FTG, PLUG SKT HEAD, 1/8
8	4900002	1	ELBOW, STEEL JIC/O-RING, 1/2 3/4-16
9	4900093	1	ELBOW, STEEL JIC/JIC SWIVEL, 3/4
10	5000081	1	ELBOW, BRASS NPT-TUBE, 1/8-5/16
11	5000085	1	ELBOW, BRASS NPT-SAE 45 DEG, 1/8-1/4
12	5000090	1	ELBOW, BRASS, EXTR'D 90 STREET, 1/8
13	5000137	1	TEE, MALE BRANCH, 1/8
14	5830004	2	O-RING, VITON, 3 1/8 ID X 1/8
15	5830005	1	O-RING, VITON, 11/16 ID X 3/32
16	9200377	1	VALVE, INLET CONTROL, VERT. FILTER
17	P120005	1	VR70 COMPRESSOR ASSEMBLY

VMAC – Vehicle Mounted Air Compressors

Toll Free: 1-800-738-8622

Local: 1-250-740-3200

Fax: 1-250-740-3201

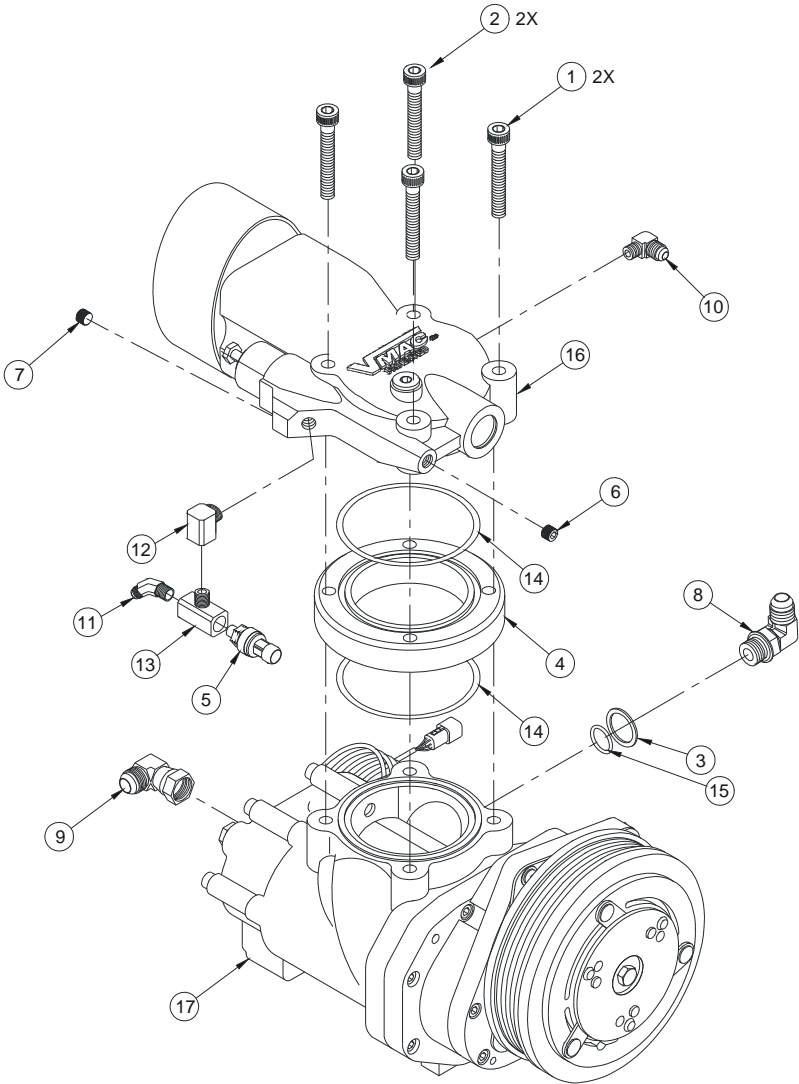


Figure 3 – Compressor Assembly

4 - Compressor Sub Components, P120005

Item #	Part #	Qty	Description
1	3550682	1	TEMPERATURE PROBE
2	P200035	1	CLUTCH COMPLETE 6 GROOVE

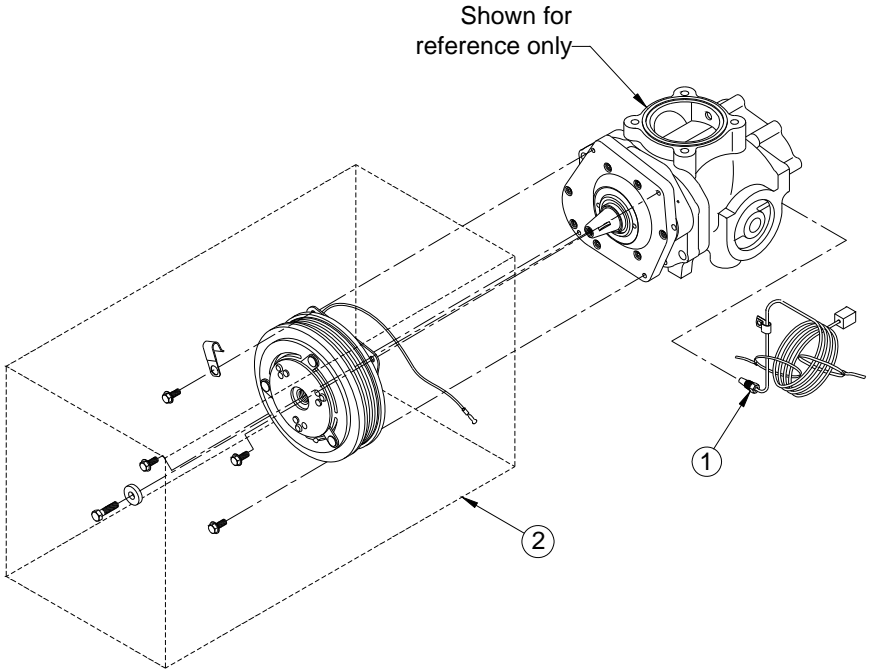


Figure 4– Compressor Sub Components

VMAC – Vehicle Mounted Air Compressors

Toll Free: 1-800-738-8622

Local: 1-250-740-3200

Fax: 1-250-740-3201

5 - Inlet Valve Sub Components, 9200377

Item #	Part #	Qty	Description
1	1500077	5	SCREW, BUTTON HEAD, 10 - 32 X 3/8
2	1500519	1	ROD, THREADED, 1/4 X 2.62
3	1550029	1	NUT, NYLOCK NC, 1/4
4	1550221	1	NUT, HEX NC PL, 1/4, GR8
5	1570038	1	WASHER, FLAT SAE, 1/4
6	3200268	1	PLATE, INNER FILTER, VERTICAL
7	3600037	1	ELEMENT, FILTER, PAPER
8	3600046	1	KIT, REGULATOR
9	3600066	1	COVER, AIR FILTER, PLASTIC
10	4900045	1	PLUG
11	5830002	1	O-RING, VITON, 2 3/8 ID X 3/32
12	5830043	1	O-RING, VITON, 1 7/8 ID X 1/8
13	5830070	1	O-RING, VITON, 2 9/16 ID X 3/32

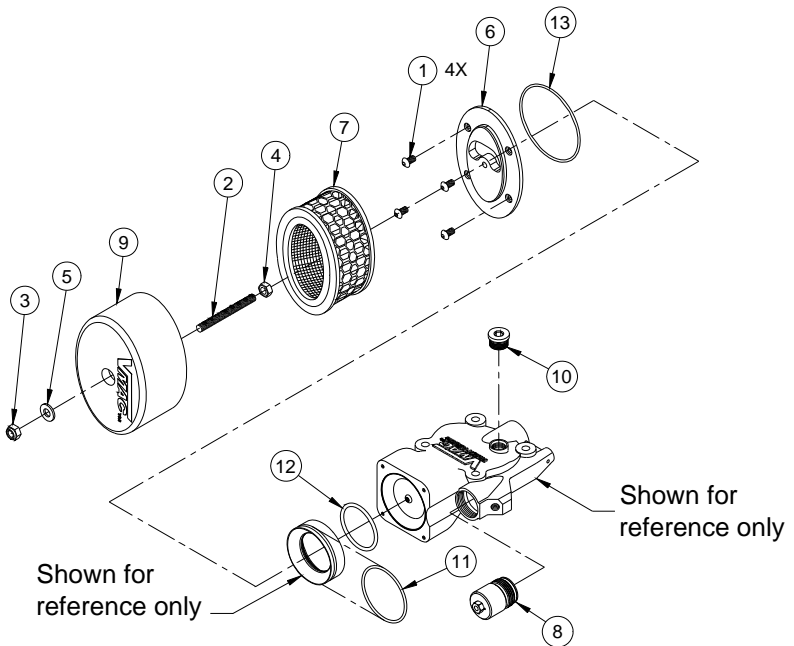


Figure 5 – Inlet Valve Sub Components

VMAC – Vehicle Mounted Air Compressors

Toll Free: 1-800-738-8622

Local: 1-250-740-3200

Fax: 1-250-740-3201

6 - Main Bracket Assembly, 4800467

Item #	Part #	Qty	Description
1	1100162	1	BRACKET, DURAMAX RPO/LLY
2	1200415	1	PLATE, TENSIONER
3	1300030	1	IDLER, SERP 6 RIB GROOVE
4	1300031	2	IDLER, SERP 6 RIB BACK
5	1400051	1	SPACER, IDLER - BOLT
6	1400191	1	SPACER, IDLER
7	1510161	1	BOLT, HHCS NC G8 FL, 1/2 X 1 1/4
8	1520090	1	BOLT, HHCS G10.9, M10 X 1.5 X 30
9	1520430	1	BOLT, HHCS G10.9, M14 X 1.5 X 110
10	1540204	3	BOLT, SHCS, M8 X 1.25 X 25
11	1540525	2	BOLT, SHCS, M10 X 1.5 X 85
12	1560138	1	NUT, NYLOCK PL, M10 X 1.5
13	1570044	2	WASHER, ALLOY PL SAE, 3/8
14	1570308	1	WASHER, FLAT PL, 1/2
15	2600113	1	TENSIONER, MODIFIED (3300020)
16	4300079	2	BUSHING, SPLIT FLARED
17	4800297	1	IDLER

VMAC – Vehicle Mounted Air Compressors

Toll Free: 1-800-738-8622

Local: 1-250-740-3200

Fax: 1-250-740-3201

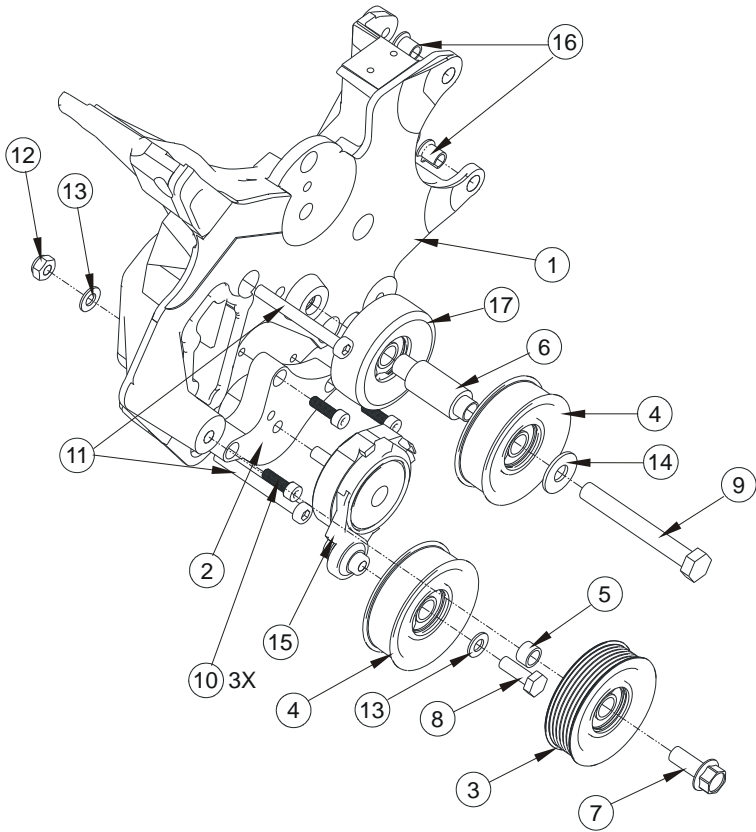


Figure 6 – Main Bracket Assembly

7 - VR70 Tank, 9200380

Item #	Part #	Qty	Description
1	1510086	6	BOLT, HHCS NC G5 FL LK, 3/8 X 1
2	1510522	2	BOLT, HHCS NC G8 FL LK PL, 1/4 X 1/2
3	3200231	1	COVER, SIGHT GLASS
4	3600036	1	ELEMENT, SEP, COALESING
5	3600064	1	SEAL, TANK REAR CAP
6	3600090	1	THIMBLE, SCREEN
7	4900033	1	CONNECTOR, STEEL NPT-JIC, 3/4-3/4
8	4900035	1	NIPPLE, STEEL STR THRD, 3/4 - 16
9	4900065	1	PLUG, HEX HEAD STEEL ALLEN, 5
10	5000089	1	CONNECTOR, BRASS NPT-SAE, 3/8 - 1/2
11	5830066	1	O-RING, VITON, 4 3/4 ID X 1/8
12	5840069	1	SPRING, COMPRESSION, FL 1.5",OD .54
13	5840078	1	SPRING, WAVE
14	9200039	1	OIL FILTER, VR 3.250 SHORT
15	9200364	1	ASSEMBLY, BLOWDOWN CAP
15.1	3600054	1	VALVE, SAFETY 200 PSI
15.2	4500104	1	MUFFLER, SINTERED EXHAUST
16	A700061	1	SIGHT GLASS ASSEMBLY

VMAC – Vehicle Mounted Air Compressors

Toll Free: 1-800-738-8622

Local: 1-250-740-3200

Fax: 1-250-740-3201

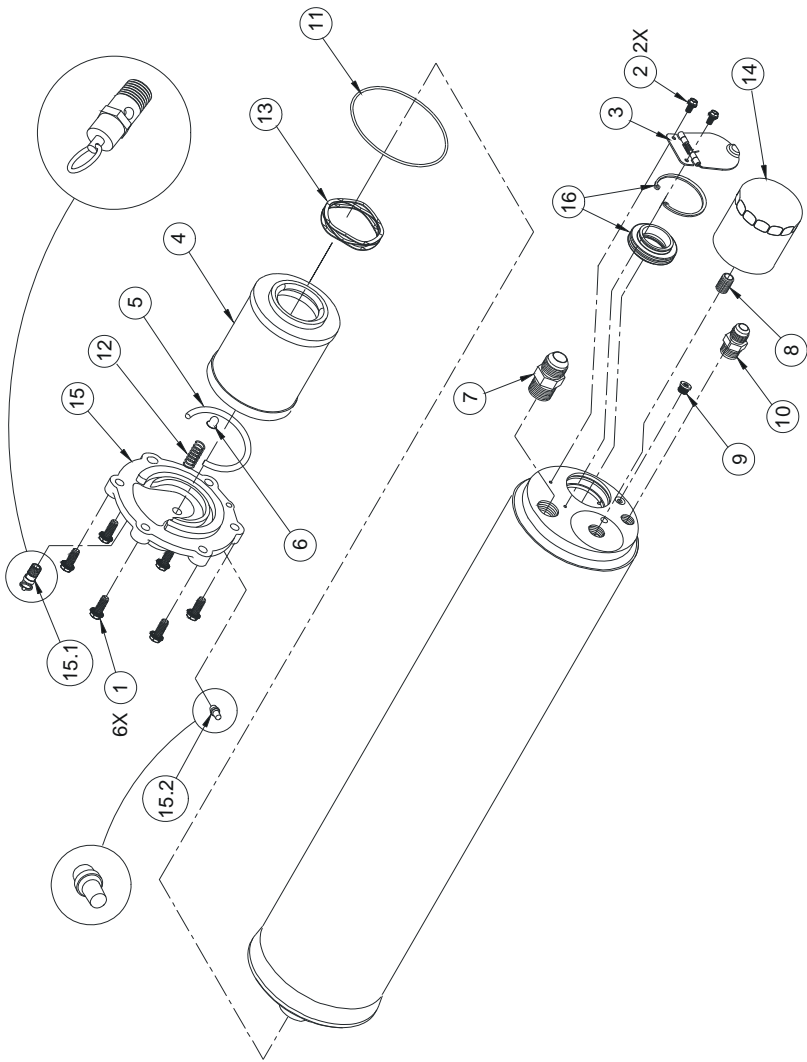


Figure 7 - VR70 Tank

8 - Tank Mount Strap Assembly, 4800441

Item #	Part #	Qty	Description
1	1200454	1	BRACKET
2	1200455	1	BRACKET
3	1510016	1	BOLT, HHCS NC G8 PL, 3/8 X 1 1/2
4	1550504	1	NUT, FLANGE LOCK NC GR5, 3/8

Note: Two assemblies per kit

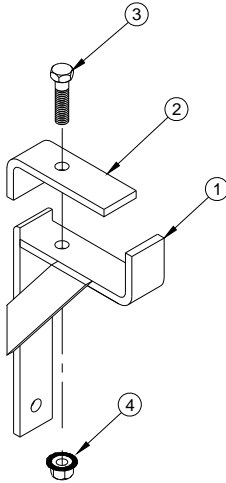


Figure 8 – Tank Mount Strap Assembly

VMAC – Vehicle Mounted Air Compressors

Toll Free: 1-800-738-8622

Local: 1-250-740-3200

Fax: 1-250-740-3201

9 – Cooler Assembly, 4800333

Item #	Part #	Qty	Description
1	1200339	1	PLATE, COOLER, STRAP SUPPORT
2	1510086	2	BOLT, HHCS NC G5 FL LK, 3/8 X 1
3	1550066	2	NUT, HEX NC, 5/16
4	1550504	2	NUT, FLANGE LOCK NC GR5, 3/8
5	1570476	1	WASHER, 5/16 ID X 3/4 OD
6	2200151	1	STRAP, COOLER
7	9200356	1	COOLER

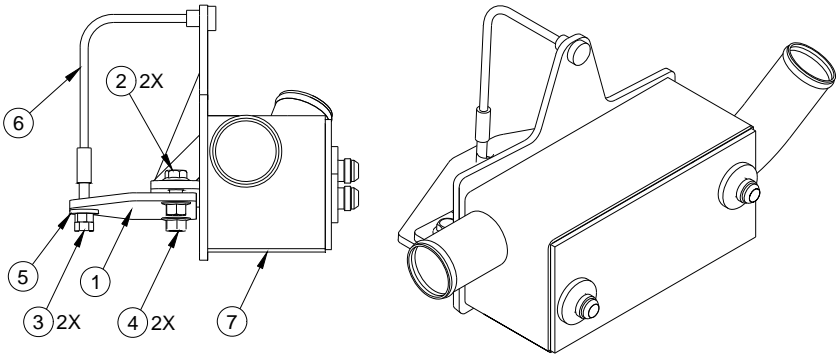


Table 9 – Cooler Assembly

10 - Adaptor Kit, 150 AMP Alternator, 1630202

Item #	Part #	Qty	Description
1	1630202	1	BELT, 4061175

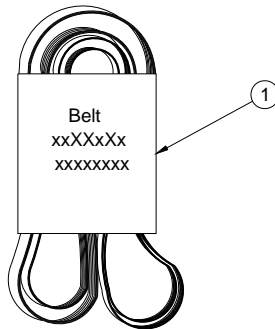


Figure 10 - Adaptor Kit, 150 AMP Alternator

VMAC – Vehicle Mounted Air Compressors

Toll Free: 1-800-738-8622

Local: 1-250-740-3200

Fax: 1-250-740-3201