

Illustrated Parts List for VMAC System V900069D

Document Number: 1930111

GM 6.6L DMAX C4500–C5500 2003-2004.5

| | |
|----------------------------------|--------|
| Kit Pack List | Page 2 |
| <i>Sub Assemblies</i> | |
| Fastener Pack | 4 |
| Fastener Pack (Continued) | 6 |
| Compressor Assembly | 8 |
| Compressor Sub Components | 10 |
| Inlet Valve Sub Components | 11 |
| Main Bracket Assembly | 12 |
| VR70 Tank | 14 |
| Cooler Assembly | 16 |

Adaptor Pack

| | |
|---------------------------------------|----|
| Adaptor Kit, 150 AMP Alternator | 16 |
|---------------------------------------|----|

Changes and Revisions

| Version | Revision Details | Revised by/date | Approved by Date | Implemented |
|---------|------------------|--------------------|---------------------|-------------|
| - | New Format | YBD/06OCT05 | SM/07OCT05 | 14OCT2005 |

V900069 - Illustrated Parts List

Document Number: 1930111

Table 1 - Kit Pack List, V900069

| Item # | Part # | Qty | Description |
|--------|---------|-----|------------------------------------|
| 1 | 1200335 | 1 | BRACKET, TANK |
| 2 | 1200336 | 1 | BRACKET, TANK |
| 3 | 1650293 | 1 | BELT, 5060870, 87 |
| 4 | 1730150 | 1 | HOSE, CRIMPED, 1/4" X 150" |
| 5 | 1740150 | 1 | HOSE, CRIMPED, 5/16" X 150" |
| 6 | 1752052 | 1 | HOSE, CRIMPED, 1/2" X 52" |
| 7 | 1752076 | 1 | HOSE, CRIMPED, 1/2" X 76" |
| 8 | 1770105 | 1 | HOSE, CRIMPED, 3/4" X 105" |
| 9 | 1800161 | 1 | PULLEY ASSEMBLY, GMC, DURAMAX |
| 10 | 1930016 | 1 | MANUAL, INSTALLATION, V900069 |
| 11 | 1930060 | 1 | MANUAL, OWNERS GENERIC, VR70 & 140 |
| 12 | 1930111 | 1 | ILLUSTRATED PARTS LIST, V900069 |
| 13 | 2200105 | 2 | CLAMP, MOUNTING BRACKET C, 6 |
| 14 | 3550404 | 1 | CONTROL PANEL - LOW PROFILE |
| 15 | 3550412 | 1 | SWITCHING BOX |
| 16 | 3550674 | 1 | INTERFACE CABLE, V900069/79 |
| 17 | 3560090 | 1 | THROTTLE, DURAMAX |
| 18 | 3800356 | 1 | FASTENER PACK, V900069 REV C |
| 19 | 4800333 | 1 | COOLER, ASSEMBLY |
| 20 | 4800334 | 1 | IDENTIFICATION, SYSTEM V900069 |
| 21 | 4800335 | 1 | BRACKET, GMC, 1100147, 2003 |
| 22 | 4800413 | 1 | SYSTEM OPERATION INSTRUCTION |
| 23 | 9200380 | 1 | TANK, VR70 DRESSED INT OIL FILTER |
| 24 | A700091 | 1 | OIL, VR, 1L, HIGH PERFORMANCE |
| 25 | A700094 | 1 | OIL, VR, 4L, HIGH PERFORMANCE |
| 26 | P120086 | 1 | COMPRESSOR ASSEMBLY |

See Figure 1

VMAC – Vehicle Mounted Air Compressors

Toll Free: 1-800-738-8622

Local: 1-250-740-3200

Fax: 1-250-740-3201

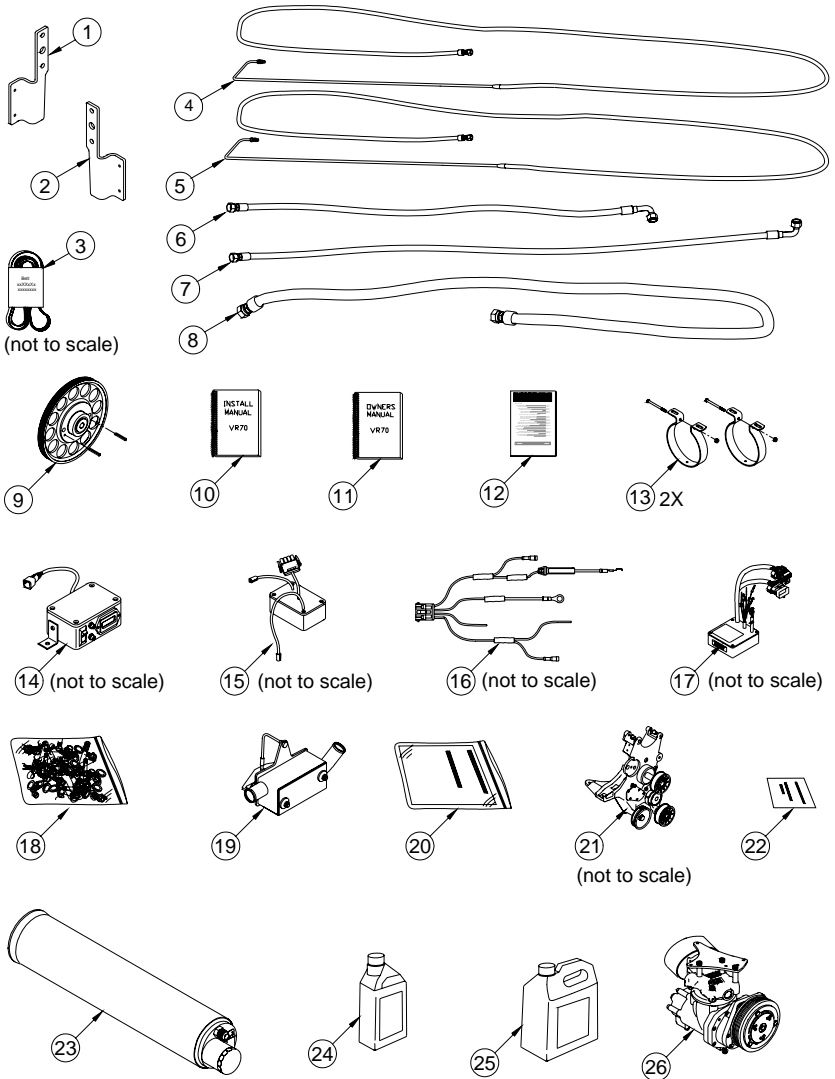


Figure 1 - Kit Pack List
 See Table 1

V900069 - Illustrated Parts List

Document Number: 1930111

Table 2 - Fastener Pack, 3800356

| Item # | Part # | Qty | Description |
|--------|---------|-----|---------------------------------------|
| 1 | 3800279 | 1 | FASTENER PACK, PULLEY |
| 1.1 | 1520518 | 1 | BOLT, HHCS G10.9, M18 X 1.5 X 100 |
| 1.2 | 3200234 | 1 | KEY, LOCATING |
| 2 | 3800355 | 1 | FASTENER PACK, FAN SPACER, |
| 2.1 | 1520513 | 4 | BOLT, HHCS G10.9, M8 X 1.25 X 30 |
| 2.2 | 1570476 | 4 | WASHER, 5/16 ID X 3/4 OD |
| 2.3 | 3400046 | 1 | SPACER, FAN |
| 2.4 | 3400049 | 1 | SPACER, FAN |
| 3 | 3800357 | 1 | FASTENER PACK, TANK, |
| 3.1 | 1510086 | 4 | BOLT, HHCS NC G5 FL LK, 3/8 X 1 |
| 3.2 | 1550504 | 4 | NUT, FLANGE LOCK NC GR5, 3/8 |
| 3.3 | 2200150 | 2 | CLAMP, DOUBLE TUBE STYLE 13/32 |
| 4 | 3800361 | 1 | FASTENER PACK, FUEL LINES & BLEED BKT |
| 4.1 | 1200338 | 1 | BRACKET, FUEL BLEED |
| 4.2 | 1540248 | 2 | BOLT, SHCS, M8 X 1.25 X 35 |
| 4.3 | 1560008 | 2 | NUT, HEX PL, M8 X 1.25 |
| 4.4 | 1570067 | 2 | WASHER, SAE, 5/16 |
| 4.5 | 1710600 | 1 | HOSE, 1/2 FUEL LINE 12.0" (1700517) |
| 4.6 | 1710601 | 1 | HOSE, 1/2 FUEL LINE 6.0" (1700517) |
| 4.7 | 1710602 | 1 | HOSE, 5/16 OIL HOSE, 12" (1700540) |
| 4.8 | 2200001 | 4 | CLAMP, HOSE MH-6 |
| 5 | 3800362 | 1 | FASTENER PACK, BREATHER CHAMBER |
| 5.1 | 1710602 | 1 | HOSE, 5/16 OIL HOSE, 12" (1700540) |
| 5.2 | 1710603 | 1 | HOSE, 5/8 OIL HOSE, 13" (1700541) |
| 5.3 | 1710604 | 1 | HOSE, 5/8 OIL HOSE, 29" (1700541) |
| 5.4 | 2200001 | 2 | CLAMP, HOSE MH-6 |
| 5.5 | 2200002 | 4 | CLAMP, HOSE MH-10 |
| 5.6 | 2200131 | 1 | CLAMP, C.R.I., 1 |
| 5.7 | 5300005 | 1 | CONNECTOR, PLASTIC HEATER HOSE, 5/8 |

(Table 2 continued on page 6)

See Figure 2

VMAC – Vehicle Mounted Air Compressors

Toll Free: 1-800-738-8622

Local: 1-250-740-3200

Fax: 1-250-740-3201

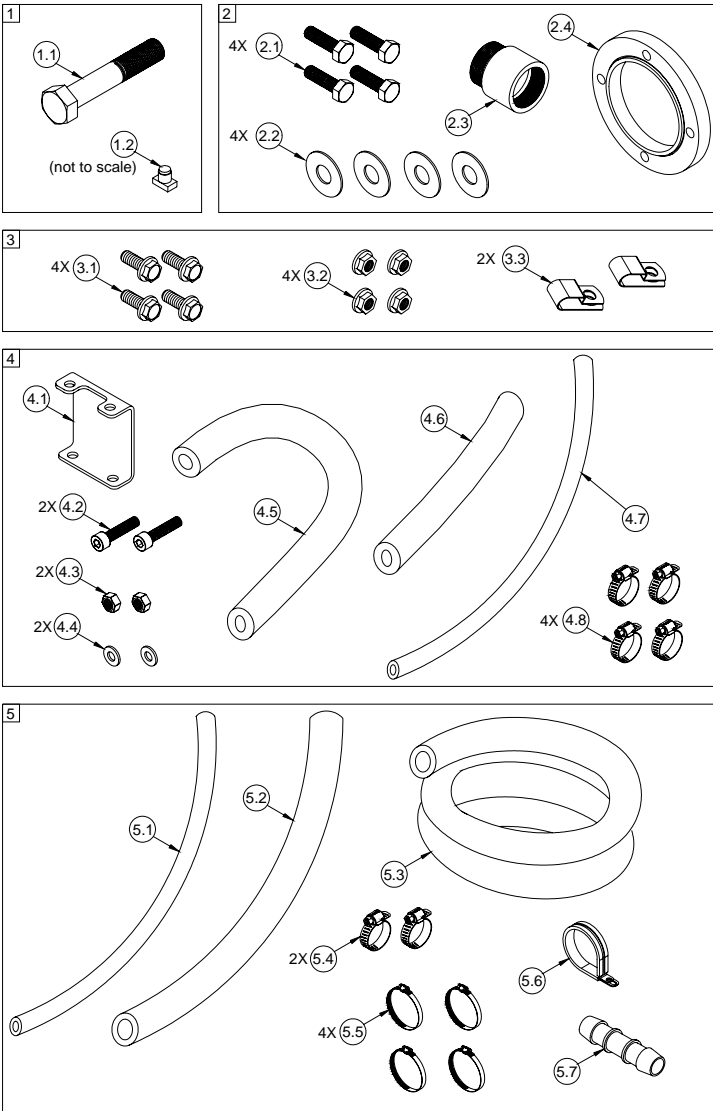


Figure 2 – Fastener Packs
See Table 2

V900069 - Illustrated Parts List

Document Number: 1930111

Table 2 (Continued) - Fastener Pack, 3800356

| Item # | Part # | Qty | Description |
|--------|---------|-----|---|
| 6 | 3800363 | 1 | FASTENER PACK, FUEL MODULE SUPPORT BRKT |
| 6.1 | 1200345 | 1 | BRACKET, FUEL MODULE SUPPORT |
| 6.2 | 1540375 | 1 | BOLT, SHCS, M8 X 1.25 X 45 |
| 6.3 | 1540526 | 1 | BOLT, SHCS, M8 X 1.25 X 20 |
| 6.4 | 1570058 | 1 | WASHER, SPLIT LOCK, 5/16 |
| 7 | 3800364 | 1 | FASTENER PACK, COOLER HOSE |
| 7.1 | 2200026 | 2 | CLAMP, HOSE HS28 |
| 8 | 3800367 | 1 | FASTENER PACK, TIES, SECURING |
| 8.1 | 2200018 | 8 | TIE, NYLON MD, 11 |
| 9 | 3800473 | 1 | FASTENER PACK, COMPRESSOR |
| 9.1 | 1540389 | 4 | BOLT, SHCS, M8 X 1.25 X 18, LOW PRO |
| 9.2 | 1540494 | 3 | BOLT, SHCS, M8 X 1.25 X 90, G12.9 |
| 9.3 | 5000055 | 1 | ELBOW, BRASS STREET, 1/8 |
| 9.4 | 5830004 | 1 | O-RING, VITON, 3 1/8 ID X 1/8 |

See Figure 2 (Continued)

VMAC – Vehicle Mounted Air Compressors

Toll Free: 1-800-738-8622

Local: 1-250-740-3200

Fax: 1-250-740-3201

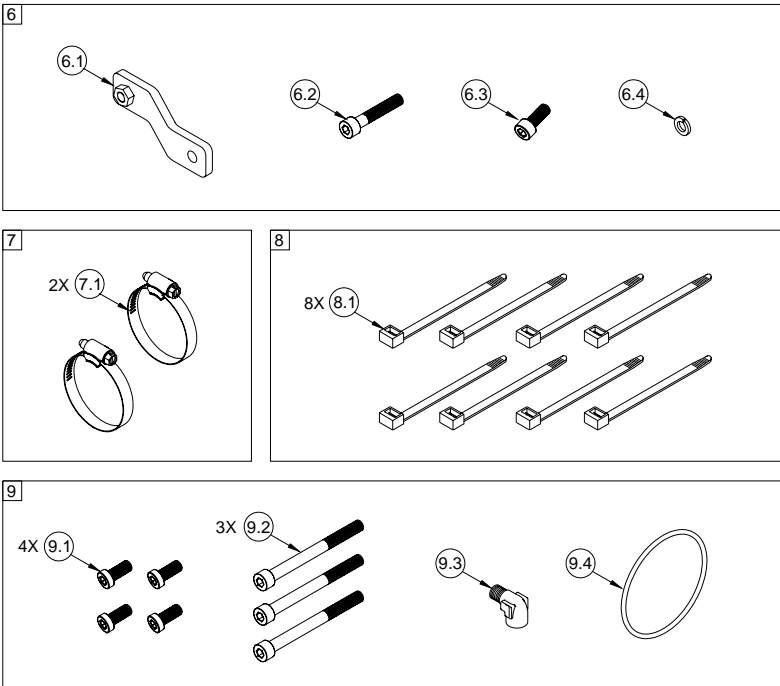


Figure 2 (Continued) – Fastener Packs
See Table 2 (Continued)

V900069 - Illustrated Parts List

Document Number: 1930111

Table 3 - Compressor Assembly, P120086

| Item # | Part # | Qty | Description |
|--------|---------|-----|-------------------------------------|
| 1 | 1200487 | 1 | BRACKET, FUEL MODULE |
| 2 | 1500399 | 2 | STUD, M8 X 1.25 X 38 |
| 3 | 1520203 | 1 | BOLT, HHCS G10.9, M8X1.25X25 FULL |
| 4 | 1540375 | 1 | BOLT, SHCS, M8 X 1.25 X 45 |
| 5 | 1540389 | 4 | BOLT, SHCS, M8 X 1.25 X 18, LOW PRO |
| 6 | 1540494 | 3 | BOLT, SHCS, M8 X 1.25 X 90, G12.9 |
| 7 | 1560508 | 2 | NUT, W/DBL SER WASHER, M8 X 1.25 |
| 8 | 1570260 | 1 | WASHER, INT SERR LOCK, 5/16 |
| 9 | 1570482 | 1 | WASHER |
| 10 | 3500288 | 1 | SENSOR, PRESSURE |
| 11 | 4300076 | 1 | PIPE FTG, PLUG SKT HEAD, 1/8 |
| 12 | 4300076 | 1 | PIPE FTG, PLUG SKT HEAD, 1/8 |
| 13 | 4900002 | 1 | ELBOW, STEEL JIC/O-RING, 1/2 3/4-16 |
| 14 | 4900070 | 1 | ELBOW, JIC, 7/8 - 14 X 1 1/16 - 12 |
| 15 | 5000081 | 1 | ELBOW, BRASS NPT-TUBE, 1/8-5/16 |
| 16 | 5000085 | 1 | ELBOW, BRASS NPT-SAE 45 DEG,1/8-1/4 |
| 17 | 5000090 | 1 | ELBOW, BRASS, EXTR'D 90 STREET, 1/8 |
| 18 | 5000137 | 1 | TEE, MALE BRANCH, 1/8 |
| 19 | 5830004 | 2 | O-RING, VITON, 3 1/8 ID X 1/8 |
| 20 | 5830005 | 1 | O-RING, VITON, 11/16 ID X 3/32 |
| 21 | 5830045 | 1 | O-RING, VITON, 3/4 ID X 3/32 |
| 22 | 9200396 | 1 | ASSEMBLY, INLET CONTROL VALVE |
| 23 | 9200403 | 1 | INLET VALVE ANGLE MOUNT ADAPTOR |
| 24 | P120005 | 1 | VR70 COMPRESSOR ASSEMBLY |

See Figure 3

VMAC – Vehicle Mounted Air Compressors

Toll Free: 1-800-738-8622

Local: 1-250-740-3200

Fax: 1-250-740-3201

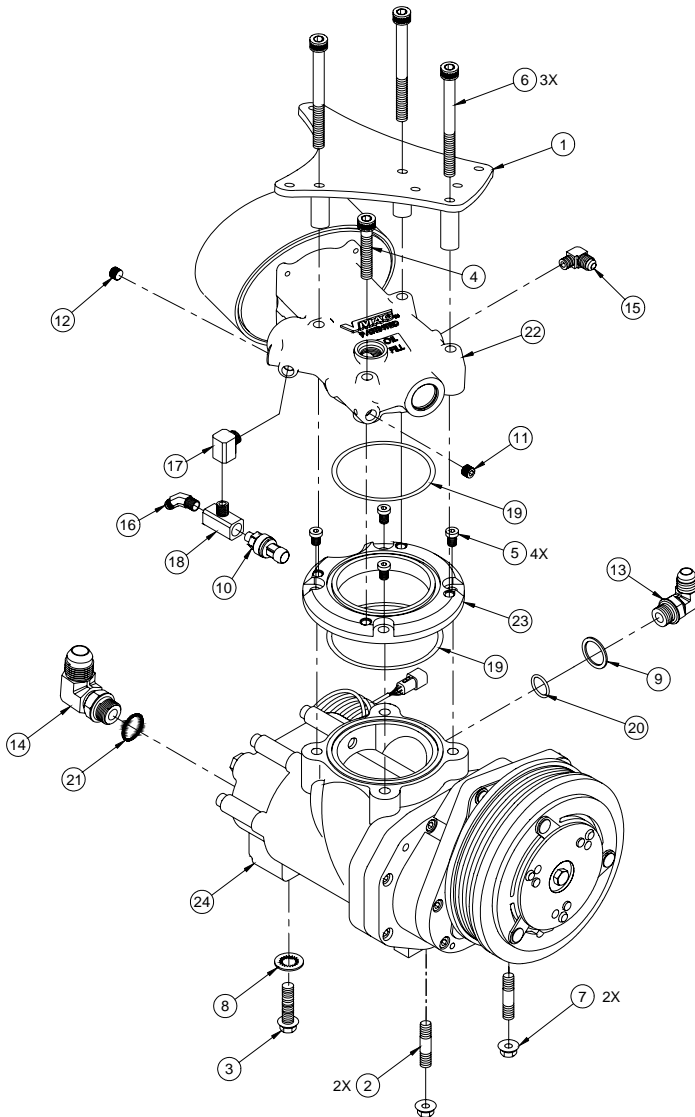


Figure 3 – Compressor Assembly
See Table 3

VMAC – Vehicle Mounted Air Compressors
Toll Free: 1-800-738-8622
Local: 1-250-740-3200
Fax: 1-250-740-3201

Table 4 - Compressor Sub Components, P120005

| Item # | Part # | Qty | Description |
|--------|---------|-----|--------------------------|
| 1 | 3550682 | 1 | TEMPERATURE PROBE |
| 2 | P200035 | 1 | CLUTCH COMPLETE 6 GROOVE |

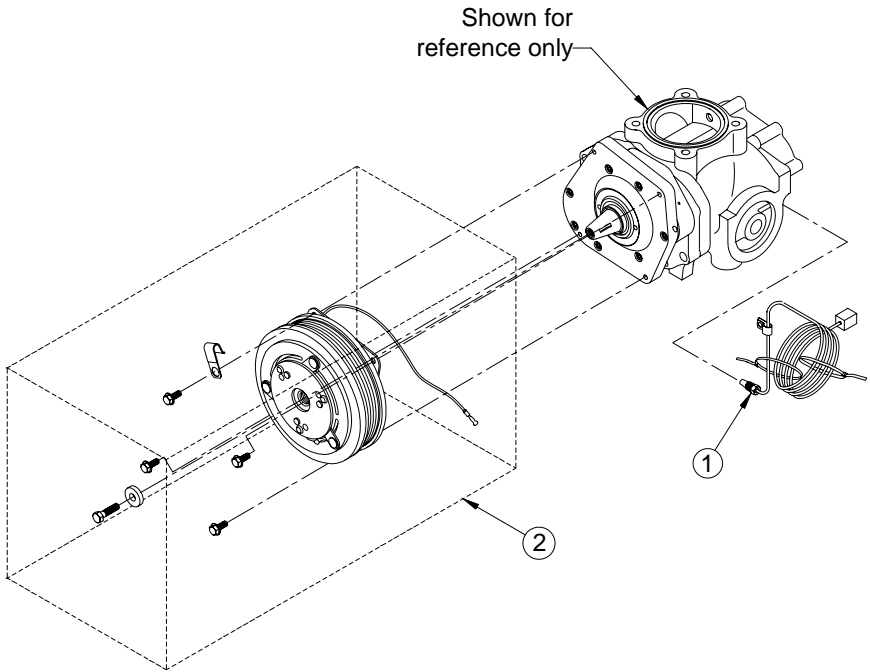


Figure 4– Compressor Sub Components

Table 5 - Inlet Valve Sub Components, 9200396

| Item # | Part # | Qty | Description |
|--------|---------|-----|-----------------------------------|
| 1 | 3600046 | 1 | REGULATOR VALVE |
| 2 | 4900045 | 1 | PLUG |
| 3 | 5830002 | 1 | O-RING, VITON, 2 3/8 ID X 3/32 |
| 4 | 5830043 | 1 | O-RING, VITON, 1 7/8 ID X 1/8 |
| 5 | A700049 | 1 | FILTER KIT ASSEMBLY |
| 5.1 | 1500077 | 4 | SCREW, BUTTON HEAD, 10 - 32 X 3/8 |
| 5.2 | 1500519 | 1 | ROD, THREADED, 1/4 X 2.62 |
| 5.3 | 1550029 | 1 | NUT, NYLOCK NC, 1/4 |
| 5.4 | 1550221 | 1 | NUT, HEX NC PL, 1/4, GR8 |
| 5.5 | 1570038 | 1 | WASHER, FLAT SAE, 1/4 |
| 5.6 | 3200205 | 1 | PLATE, INNER FILTER |
| 5.7 | 3600037 | 1 | ELEMENT, FILTER, PAPER |
| 5.8 | 3600066 | 1 | COVER, AIR FILTER, PLASTIC |
| 5.9 | 5830070 | 1 | O-RING, VITON, 2 9/16 ID X 3/32 |

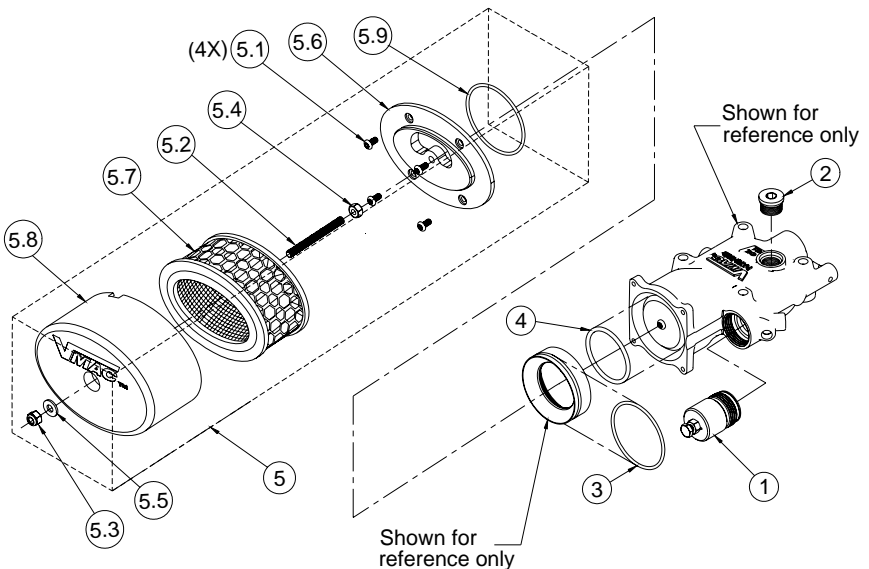


Figure 5 – Inlet Valve Sub Components

V900069 - Illustrated Parts List

Document Number: 1930111

Table 6 - Main Bracket Assembly, 4800335

| Item # | Part # | Qty | Description |
|--------|---------|-----|-------------------------------------|
| 1 | 1100147 | 1 | BRACKET, GMC, DURAMAX, 2003 |
| 2 | 1200292 | 1 | BRACKET, PULLEY GUARD |
| 3 | 1200344 | 1 | PLATE, BREATHER CHAMBER COVER |
| 4 | 1200415 | 1 | PLATE, TENSIONER |
| 5 | 1300007 | 2 | IDLER, SERP 6 RIB BACK |
| 6 | 1300008 | 1 | IDLER, SERP 6 RIB GROOVE |
| 7 | 1400051 | 1 | SPACER, IDLER - BOLT |
| 8 | 1400191 | 1 | SPACER, IDLER |
| 9 | 1500318 | 6 | SCREW, FH PHILLIPS, 10-24 X 1/2(SS) |
| 10 | 1500403 | 1 | BOLT, MACHINED IDLER, 1/2 X 1 1/4 |
| 11 | 1520090 | 1 | BOLT, HHCS G10.9, M10 X 1.5 X 30 |
| 12 | 1520430 | 1 | BOLT, HHCS G10.9, M14 X 1.5 X 110 |
| 13 | 1540204 | 3 | BOLT, SHCS, M8 X 1.25 X 25 |
| 14 | 1540525 | 4 | BOLT, SHCS, M10 X 1.5 X 85 |
| 15 | 1560138 | 1 | NUT, NYLOCK PL, M10 X 1.5 |
| 16 | 1570044 | 2 | WASHER, ALLOY PL SAE, 3/8 |
| 17 | 1570308 | 1 | WASHER, FLAT PL, 1/2 |
| 18 | 2600113 | 1 | TENSIONER, MODIFIED (3300020) |
| 19 | 4300079 | 2 | BUSHING, SPLIT FLARED |
| 20 | 4800297 | 1 | IDLER |
| 21 | 5000006 | 1 | CONNECTOR, BRASS NPT-HOSE, 1/2-5/8 |
| 22 | 5000028 | 1 | ELBOW, BRASS, NPT-HOSE, 1/2-5/8 |

See Figure 6

VMAC – Vehicle Mounted Air Compressors

Toll Free: 1-800-738-8622

Local: 1-250-740-3200

Fax: 1-250-740-3201

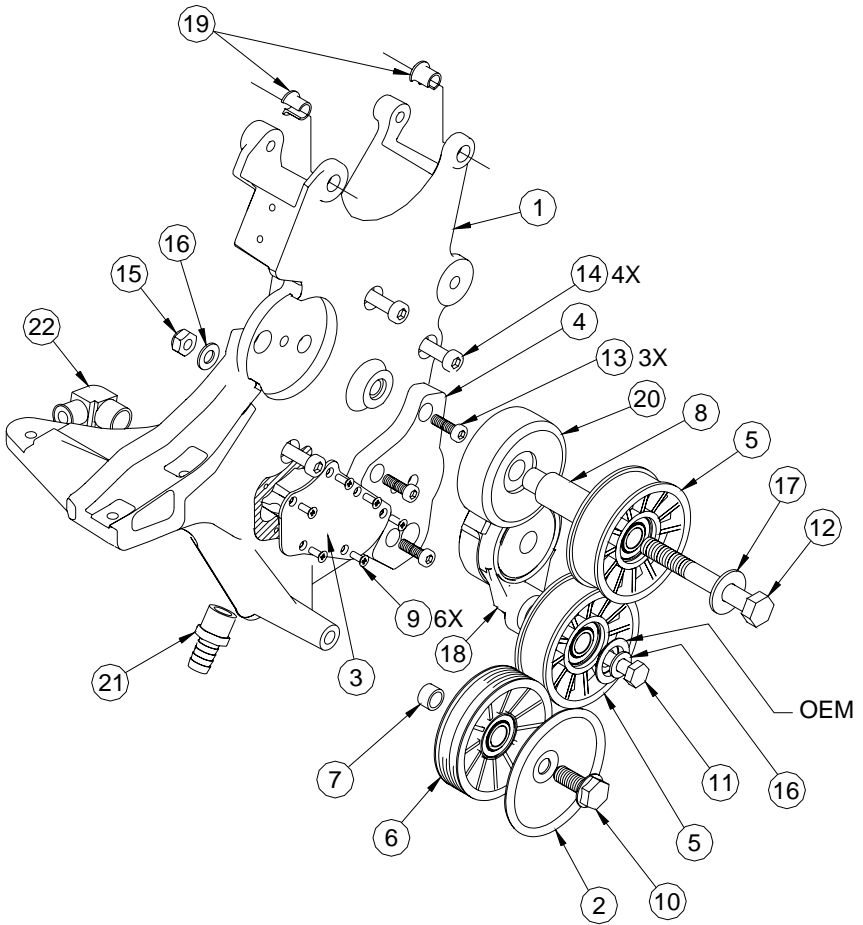


Figure 6 – Main Bracket Assembly
See Table 6

V900069 - Illustrated Parts List

Document Number: 1930111

Table 8 - VR70 Tank, 9200380

| Item # | Part # | Qty | Description |
|--------|---------|-----|--------------------------------------|
| 1 | 1510086 | 6 | BOLT, HHCS NC G5 FL LK, 3/8 X 1 |
| 2 | 1510522 | 2 | BOLT, HHCS NC G8 FL LK PL, 1/4 X 1/2 |
| 3 | 3200231 | 1 | COVER, SIGHT GLASS |
| 4 | 3600036 | 1 | ELEMENT, SEP, COALESCING |
| 5 | 3600064 | 1 | SEAL, TANK REAR CAP |
| 6 | 3600090 | 1 | THIMBLE, SCREEN |
| 7 | 4900033 | 1 | CONNECTOR, STEEL NPT-JIC, 3/4-3/4 |
| 8 | 4900035 | 1 | NIPPLE, STEEL STR THRD, 3/4 - 16 |
| 9 | 4900065 | 1 | PLUG, HEX HEAD STEEL ALLEN, 5 |
| 10 | 5000089 | 1 | CONNECTOR, BRASS NPT-SAE, 3/8 - 1/2 |
| 11 | 5830066 | 1 | O-RING, VITON, 4 3/4 ID X 1/8 |
| 12 | 5840068 | 1 | SPRING, COMPRESSION, 2.187 OD X 5 |
| 13 | 5840069 | 1 | SPRING, COMPRESSION, FL 1.5",OD .54 |
| 14 | 9200039 | 1 | OIL FILTER, VR 3.250 SHORT |
| 15 | 9200364 | 1 | ASSEMBLY, BLOWDOWN CAP |
| 15.1 | 3600054 | 1 | VALVE, SAFETY 200 PSI |
| 15.2 | 4500104 | 1 | MUFFLER, SINTERED EXHAUST |
| 16 | A700061 | 1 | SIGHT GLASS ASSEMBLY |

See Figure 8

VMAC – Vehicle Mounted Air Compressors

Toll Free: 1-800-738-8622

Local: 1-250-740-3200

Fax: 1-250-740-3201

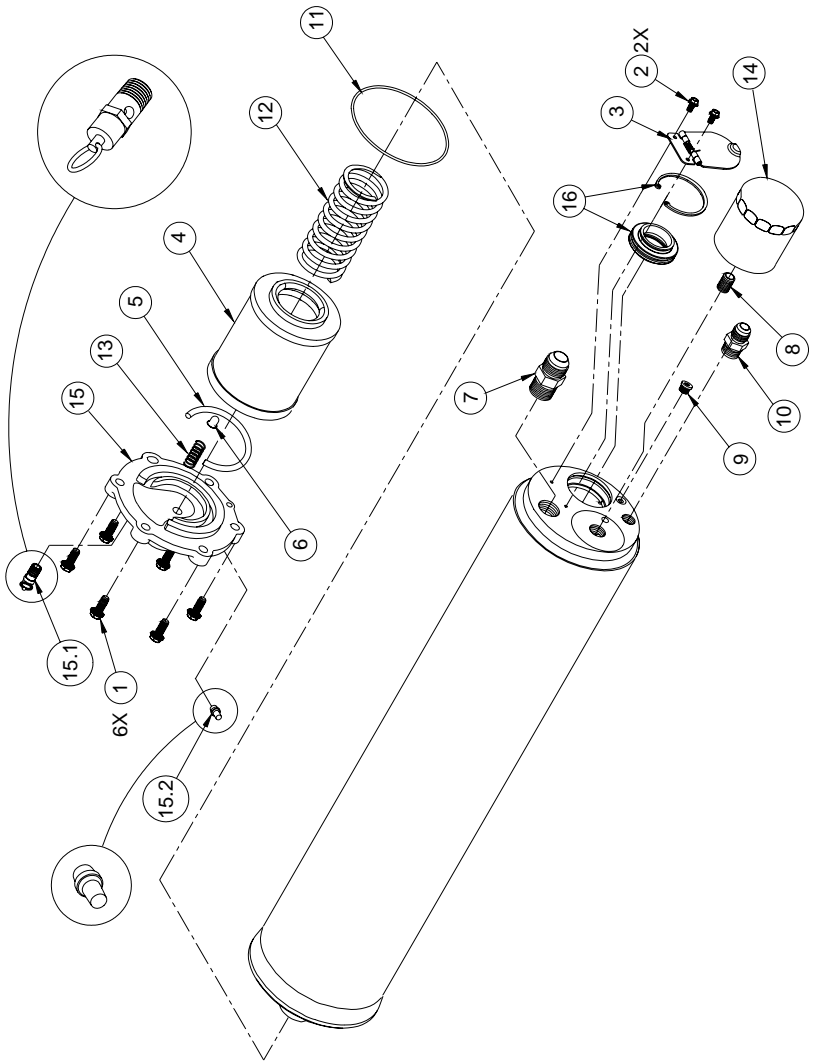


Figure 7 - VR70 Tank
See Table 7

V900069 - Illustrated Parts List

Document Number: 1930111

Table 8 – Cooler Assembly, 4800333

| Item # | Part # | Qty | Description |
|--------|---------|-----|---------------------------------|
| 1 | 1200339 | 1 | PLATE, COOLER, STRAP SUPPORT |
| 2 | 1510086 | 2 | BOLT, HHCS NC G5 FL LK, 3/8 X 1 |
| 3 | 1550066 | 2 | NUT, HEX NC, 5/16 |
| 4 | 1550504 | 2 | NUT, FLANGE LOCK NC GR5, 3/8 |
| 5 | 1570476 | 1 | WASHER, 5/16 ID X 3/4 OD |
| 6 | 2200151 | 1 | STRAP, COOLER |
| 7 | 9200356 | 1 | COOLER |

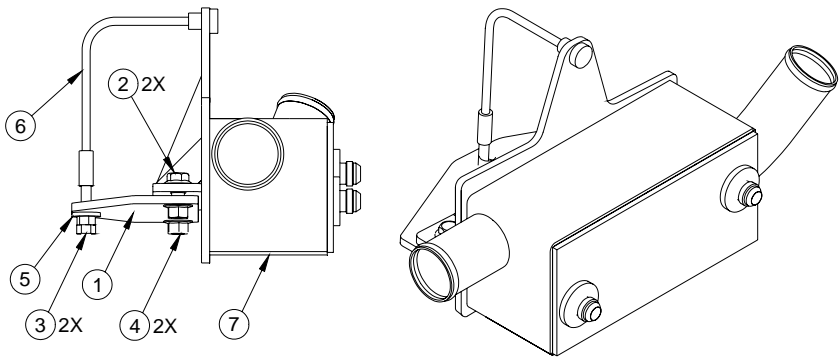
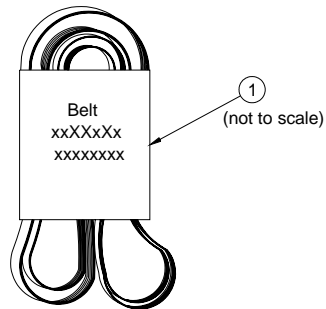


Table 8 – Cooler Assembly

Table 9 - Adaptor Kit, 150 AMP Alternator, 1630202

| Item # | Part # | Qty | Description |
|--------|---------|-----|---------------|
| 1 | 1630202 | 1 | BELT, 4061175 |



**Figure 9 - Adaptor Kit,
150 AMP Alternator**

VMAC – Vehicle Mounted Air Compressors

Toll Free: 1-800-738-8622

Local: 1-250-740-3200

Fax: 1-250-740-3201