

Illustrated Parts List for VMAC System H600004-A

1 – Main Assembly 2

2 – Inlet Valve and Compressor System, (9400067 & P170035) 4

3 – Cooler Assembly 9400069 6

4 – Manifold Assembly, 9400124 7

5 – Tank Assembly, 9400050 8

6 – Panel Assembly 10

Document Number: 1930213 Changes and Revisions

Version	Revision Details	Revised by/date	Approved by/date	Implemented
A	Initial release – ECN 14-042	MH 30Jun14	MP/RD 16 Jul 2014	16 Jul 2014
B	ECN 14-044	JR 10 Sep 2014	MP 23 Sep 2014	26 Sep 2014

VMAC – Vehicle Mounted Air Compressors

Toll Free: 1-800-738-8622

Local: 1-250-740-3200

Fax: 1-250-740-3201

1 – Main Assembly

Item #	Part #	Qty	Description
1	P170035	1	ASSY, COMPRESSOR, VMAC H60
2	9400067	1	ASSEMBLY, INLET VALVE
3	9400050	1	ASSEMBLY, TANK
4	5830122	1	O-RING, VITON, 3 3/4 ID X 3/32
5	1540547	7	BOLT,SHCS,M6X 1.0 X45,PLATED,GR12.9
6	9200039	1	OIL FILTER, VR 3.250 SHORT
7	1700571	14.5"	TUBE, TEFLON,PTFE, 3/16"OD X 1/8"ID
8	1700570	18"	TUBE, TEFLON, PTFE,1/4"OD X 3/16"ID
9	1700571	33"	TUBE, TEFLON,PTFE, 3/16"OD X 1/8"ID
10	1500612	4	VIBRATION MOUNT, RUBBER, 1 5/8 X 2
11	4500134	1	MOTOR, HYDRAULIC, 21.1CC
12	4900070	1	ELBOW, JIC, 7/8 - 14 X 1 1/16 - 12
13	1710822	1	ASSEMBLY, HOSE, HYDRAULIC
14	1700564	8.0"	HOSE,HYDRAULIC,LOW PRESSURE, 1/4"
15	2200056	2	CLAMP, O, 1/2
16	3200398	1	ADAPTER, #6 ORB M - 1/8 NPT F
17	1700580	9.0"	HOSE, SAE 100R4, #16
18	2200177	2	CLAMP, T-BOLT 1-1/2
19	9400124	1	ASSEMBLY, HYDRAULIC MANIFOLD, H.P.
20	1700584	4"	SPIRAL WRAP, 1" OD, BLACK
21	1700580	22.5"	HOSE, SAE 100R4, #16
22	2200177	2	CLAMP, T-BOLT 1-1/2
23	3550892	1	CONTROL BOX PREDATAIR
24	3500666	1	RELAY
25	3501252	1	VALVE, SOLENOID, N.O., 12V, DIN
26	9400069	1	ASSEMBLY, COOLER
27	1750016	1	HOSE, CRIMPED, 1/2" X 16"
28	2200177	2	CLAMP, T-BOLT 1-1/2
29	1700580	11.375"	HOSE, SAE 100R4, #16
30	3550717	1	INTERFACE CABLE
31	3550743	1	DISPLAY BOX PREDATAIR
32	4900136	1	CONNECTOR, 1" HOSE-#12 ORB, 90 DEG
33	5830139	1	O-RING, BUNA, # 6 ORB
34	5000054	1	CONNECTOR, BRASS NPT-HOSE, 1/8-1/4
35	1752018	1	HOSE, CRIMPED, 1/2" X 18"
36	4900206	1	CONN, STRAIGHT, #12 MORB X #12 FORB

VMAC – Vehicle Mounted Air Compressors

Toll Free: 1-800-738-8622

Local: 1-250-740-3200

Fax: 1-250-740-3201

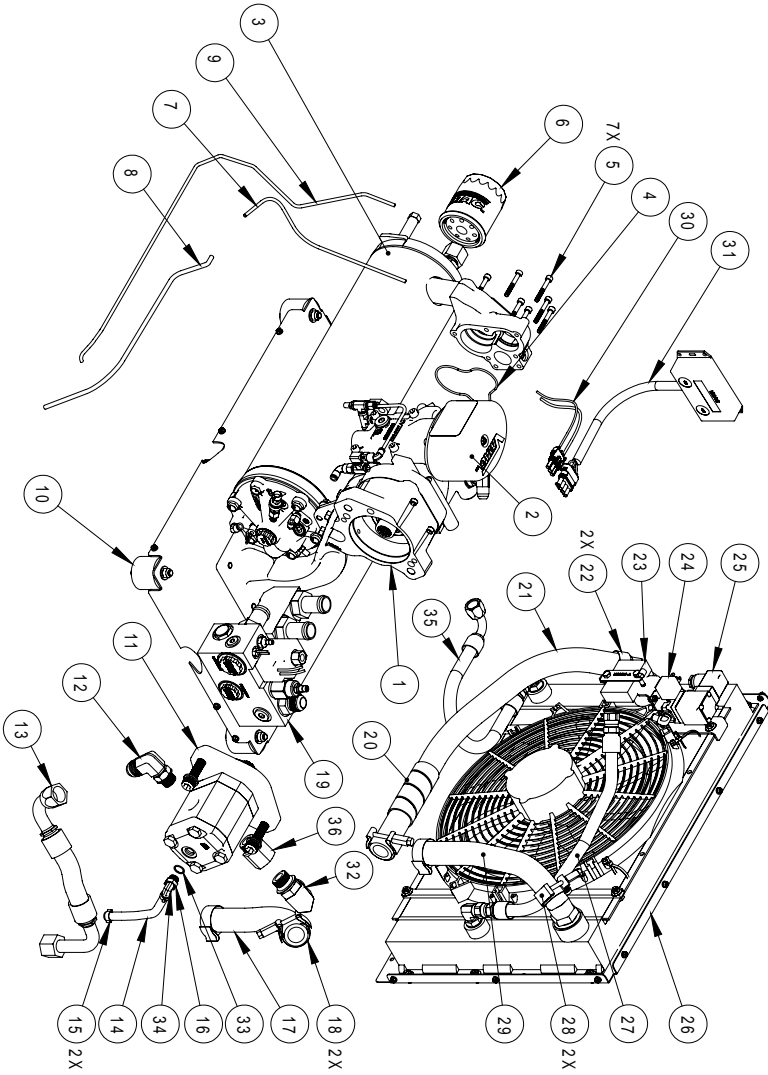


Figure 1 – Main Assembly

2 – Inlet Valve and Compressor System, (9400067 & P170035)

Item #	Part #	Qty	Description
1	1700571	6.5"	TUBE, TEFLON,PTFE, 3/16"OD X 1/8"ID
2	3600146	1	ASSEMBLY, FITTING RESTRICTION
3	5000137	1	TEE, MALE BRANCH, 1/8" NPT, FORGED
4	3600145	1	ASSEMBLY, MUFFLER RESTRICTION
5	5000137	1	TEE, MALE BRANCH, 1/8" NPT, FORGED
6	5000165	2	ELBOW,90, BRASS NPT-POLY, 1/8-3/16
7	3600123	1	VALVE, CHECK, 1/8 NPT
8	5000090	1	ELBOW, BRASS, EXTR'D 90 STREET, 1/8
9	5000121	1	TEE, STREET, EXTRUDED, 1/8
10	3600123	1	VALVE, CHECK, 1/8 NPT
11	5000090	1	ELBOW, BRASS, EXTR'D 90 STREET, 1/8
12	3600037	1	ELEMENT, FILTER, PAPER
13	3600066	1	COVER, AIR FILTER, PLASTIC
14	P170034	1	COMPRESSOR, VMAC H60
15	4900002	1	ELBOW, STEEL JIC/O-RING, 1/2 3/4-16
16	5830132	1	O-RING, VITON, #8 ORB
17	9400067	1	ASSEMBLY, INLET VALVE
18	1540530	2	BOLT,SHCS,M8 X 1.25 X 55, G12.9 PLT
19	1540550	2	BOLT,SHCS,M8 X 1.25 X 50, G12.9 PLT
20	5830004	1	O-RING, VITON, 3 1/8 ID X 1/8

VMAC – Vehicle Mounted Air Compressors
 Toll Free: 1-800-738-8622
 Local: 1-250-740-3200
 Fax: 1-250-740-3201

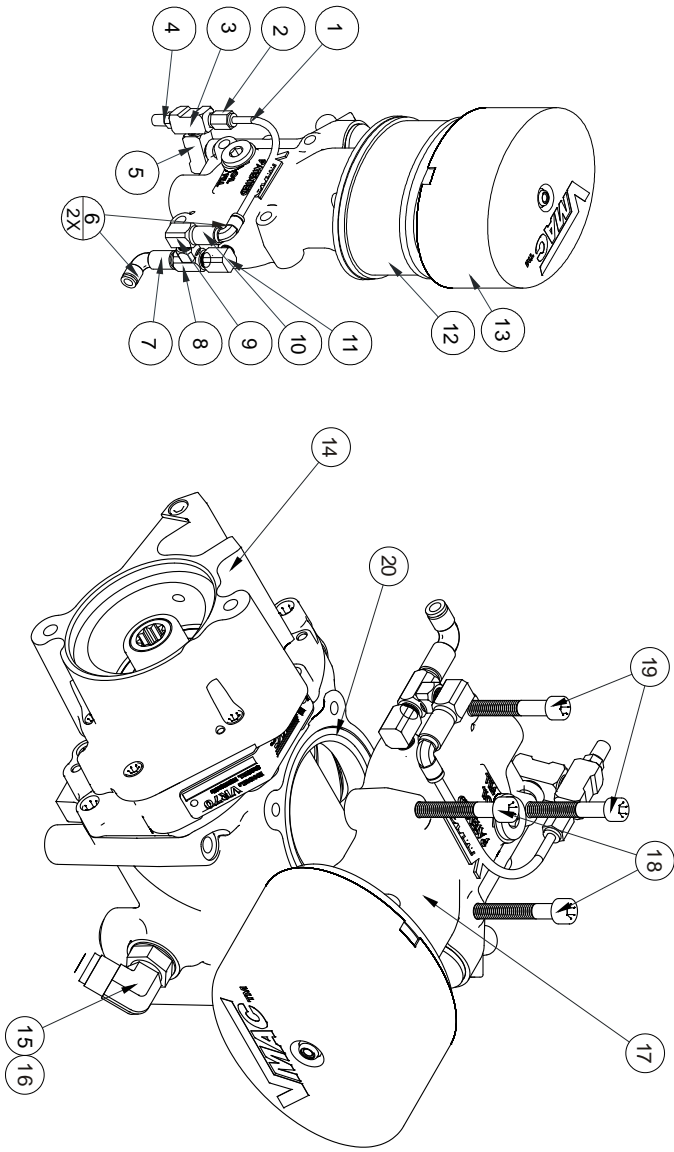


Figure 2 – Inlet Valve and Compressor

3 – Cooler Assembly 9400069

Item #	Part #	Qty	Description
1	9400010	1	PANEL, REAR
2	3600108	1	COOLER, DUAL CORE
3	3500817	1	ASSEMBLY FAN, 16"
4	1200561	1	BRACKET CLAMP
5	1200795	1	BRACKET, CONTROL BOX & SOLENOID
6	4900131	2	CONNECTOR, HOSE-ORB, 45DEG, #16
7	4900002	2	ELBOW, STEEL JIC/O-RING, 1/2 3/4-16
8	5830132	2	O-RING, VITON, #8 ORB

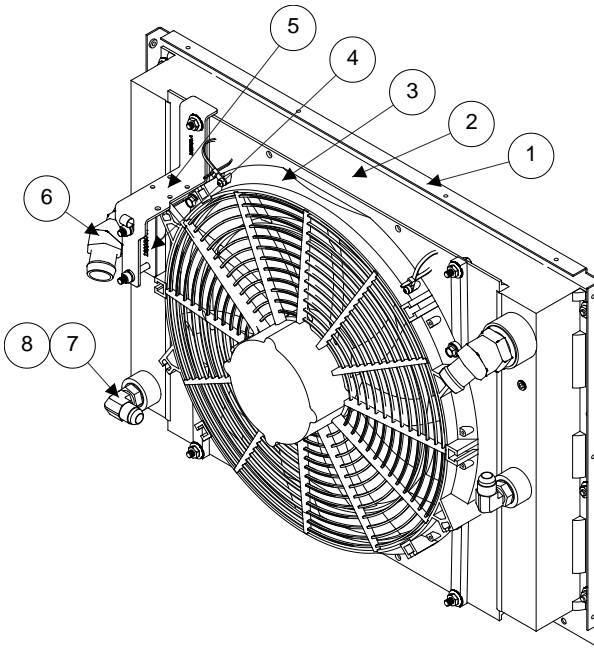


Figure 3 – Cooler Assembly

VMAC – Vehicle Mounted Air Compressors

Toll Free: 1-800-738-8622

Local: 1-250-740-3200

Fax: 1-250-740-3201

4 – Manifold Assembly, 9400124

Item #	Part #	Qty	Description
1	9400052	1	MANIFOLD, HYDRAULIC
2	4900129	3	CONNECTOR, HOSE-ORB, STRAIGHT #16
3	9400053	1	MANIFOLD, MOTOR TO COOLER
4	4900130	1	CONNECTOR, UNION, MALE, ORB, 12
5	4500125	1	VALVE, CARTRIDGE, CHECK, 65PSI
6	3550719	1	PROBE, ASSY, THERMISTOR, WP CONN
7	5830126	1	O-RING, VITON, ORB -5
8	5000156	1	CONNECTOR, BRASS, #5 ORB-1/4" HB.
9	4500130	1	COIL, SOLENOID, 5/8
10	4500129	1	VALVE, POPPET, 2 WAY, SOLENOID
11	4500136	1	VALVE, PRESSURE RELIEF, 3300 PSI
12	4900128	1	FITTING, 12ORB – 12JIC, STEEL

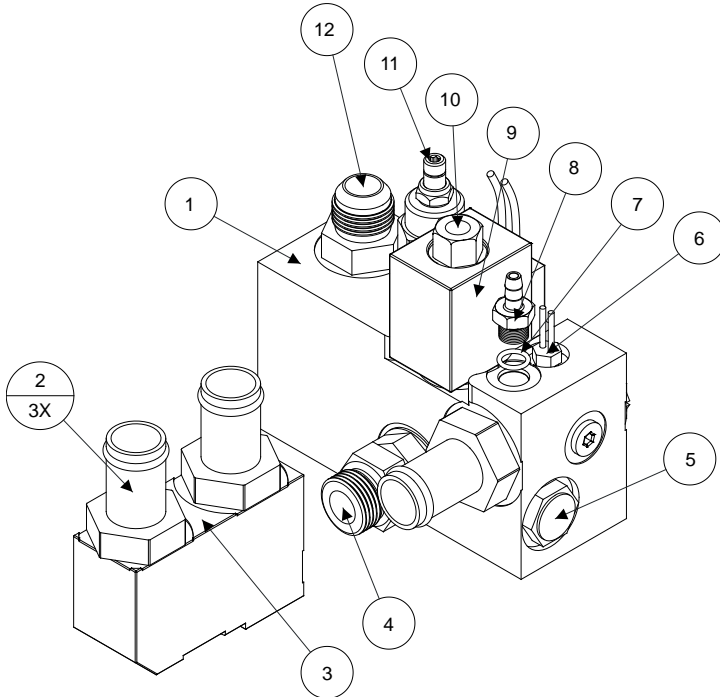


Figure 4 – Manifold Assembly

VMAC – Vehicle Mounted Air Compressors

Toll Free: 1-800-738-8622

Local: 1-250-740-3200

Fax: 1-250-740-3201

5 – Tank Assembly, 9400050

Item #	Part #	Qty	Description
1	1510086	6	BOLT, HHCS NC G5 FL LK, 3/8 X 1
2	1510522	2	BOLT, HHCS NC G8 FL LK PL, 1/4" X 1/2"
3	3200231	1	COVER, SIGHT GLASS
4	3200287	1	TUBE, OIL DRAIN
5	3550719	1	PROBE, ASSY, THERMISTOR, WP CONN
6	3600064	1	SEAL, TANK REAR CAP
7	3600090	1	THIMBLE, SCREEN
8	4900106	1	PLUG, STEEL, #5 ORB, HEX
9	4900029	1	CAP, STEEL, JIC, 3/4"
10	4900033	1	CONNECTOR, STEEL, NPT-JIC 3/4" – 3/4"
11	4900035	1	NIPPLE, STEEL, STR. THRD. 3/4" - 16
12	5000088	1	ELBOW, BRASS, 3/8" NPT – 1/2" JIC
13	5830066	1	O-RING, VITON, 4 3/4 ID X 1/8
14	5830126	1	O-RING, VITON, ORB -5
15	5840069	1	SPRING, COMPRESSION, FL 1.5", OD .54
16	9400059	1	ASSEMBLY, BLOWDOWN CAP
16.1	3500288	1	SENSOR, PRESSURE
16.2	3600054	1	VALVE, SAFETY 200 PSI
16.3	4500104	1	MUFFLER SINTERED EXHAUST, 1/8
16.4	5000020	1	ELBOW, BRASS, NPT-POLY 1/8"-1/4"
16.5	5000160	1	ADAPTER, BRASS, 1/8-1/8 NPT
16.6	5000165	1	ELBOW, 90, BRASS, NPT-POLY, 1/8"-3/16"
16.7	5000160	1	ADAPTER, BRASS, 1/8-1/8 NPT
16.8	4300076	1	PIPE FTG, PLUG SKT HEAD, 1/8
16.9	9400029	1	MUFFLER RESTRICTION
17	A700061	1	SIGHT GLASS ASSEMBLY
18	A700152	1	COALESCING ASSEMBLY

VMAC – Vehicle Mounted Air Compressors

Toll Free: 1-800-738-8622

Local: 1-250-740-3200

Fax: 1-250-740-3201

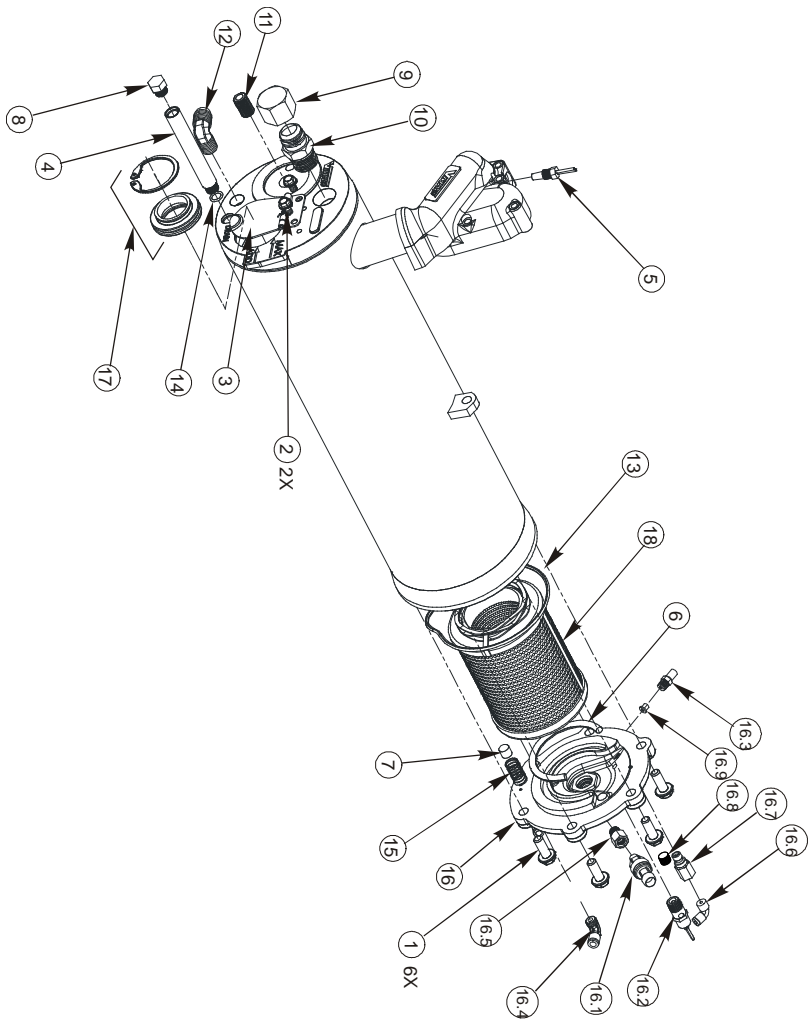


Figure 5 – Tank Assembly

6 – Panel Assembly

Item #	Part #	Qty	Description
1	9400073	1	PANEL, LEFT SIDE
1.1	4400906	1	LABEL, OIL FILL
1.2	2200171	2	CLIP, STRAIN RELIEF
2	9400072	1	PANEL, TOP
2.1	1500598	2	RIVET, ALUMINUM, CLOSED END, 1/8"
2.2	4401072	1	LABEL, DECAL PREDATAIR 60 HHP
3	9400075	1	PANEL, FRONT
3.1	4400723	1	LABEL, DECAL PREDATOR 60
4	9400074	1	PANEL, RIGHT SIDE
4.1	4400722	1	LABEL, DECAL DANGER WARNING
4.2	4400903	1	LABEL, HYD. RETURN
4.3	4400904	1	LABEL, HYD. SUPPLY
5	1500587	34	SCREW, SL, MC, IND HEX 10-32 X 3/8-SS
6	1570488	34	WASHER, NYLON, 3/16

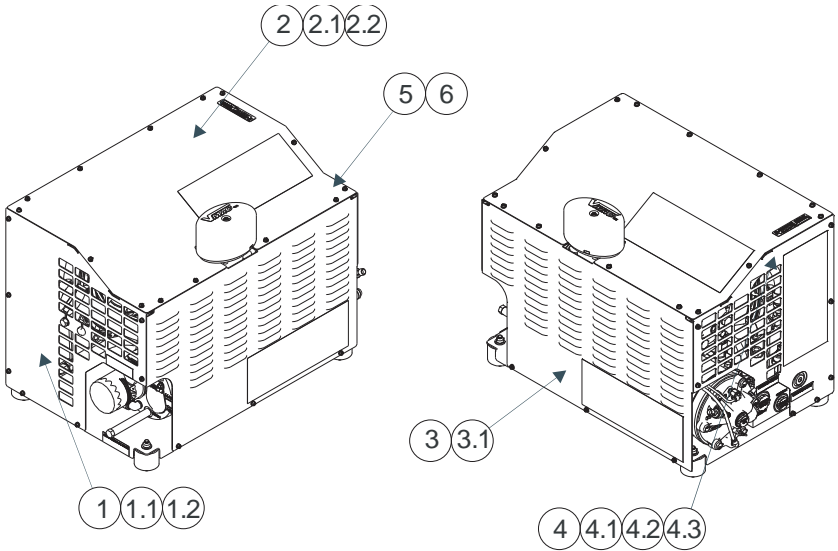


Figure 6 – Panel Assembly

VMAC – Vehicle Mounted Air Compressors

Toll Free: 1-800-738-8622

Local: 1-250-740-3200

Fax: 1-250-740-3201