

Illustrated Parts List for VMAC System V90G126

**Ram 2013 3500-5500 Cab & Chassis with PTO PREP
6.7L Cummins Diesel**

1. Kit Pack List.....	2
2. Fastener Pack, 3800881	6
3. Compressor Assembly, P120148	10
4. Compressor Sub Components, P120004	12
5. Inlet Valve Sub Components, 9200491	13
6. Main Bracket Assembly, 4800606	14
7. Tank, VR70, 9200430	15

NOTE: drawings are not to scale.

Document 1930206

Changes and Revisions

Version	Revision Details	Revised by /date	Checked by /date	Reviewed by /date	Implemented
A	Engineering Release	KM 30 Jun 2013	SM 16 Aug 2013	DB 12 Aug 2013	16 Aug 2013
B	ECN 13-086	MH 03 Oct 2013	SM 3 Oct 2013	DB 3 Oct 2013	7 Oct 2013
C	ECN 14-047	JR 19 Nov 2014	MH 20 Nov 2014	DB 19 Nov 2014	28 Nov 2014

VMAC – Vehicle Mounted Air Compressors

Toll Free: 1-800-738-8622

Local: 1-250-740-3200

Fax: 1-250-740-3201

1. Kit Pack List

Item #	Part #	Qty	Description
1	1610060	1	BELT, K060675
2	4800606	1	ASSEMBLY, MAIN BRACKET
3	1800215	1	PULLEY, CRANK, VR70, RAM, 6.7
4	1720678	1	WELDMENT, TUBE, RADIATOR, RAM, 6.7
5	1200685	1	BRACKET, STIFFENER, FAN SHROUD
6	5900247	1	TEMPLATE, FAN SHROUD CUTTING, RAM
7	4800647	1	ASSEMBLY, SOLENOID & MOUNT
8	1200704	2	BRACKET, CROSSMEMBER MOUNT, COOLER
9	1200703	1	BRACKET, COOLER, RAM
10	1200708	1	BRACKET, SUPPORT, RADIATOR TUBE
11	1200514	1	BRACKET, CONTROL BOX
12	P120148	1	COMPRESSOR ASSEMBLY, V90G126
13	9200498	1	WELDMENT, COOLER
14	1720681	1	TUBE, COOLANT, RAM
15	1720682	1	TUBE, COOLANT, RAM
16	1720683	1	TUBE, COOLANT, RAM
17	1710823	1	HOSE, COOLANT, RAM
18	1710824	1	HOSE, COOLANT, RAM
19	1710825	2	HOSE, COOLANT, 1-3/4" X 4"
20	1752031	1	HOSE, CRIMPED, 1/2" X 31"
21	1751055	1	HOSE, CRIMPED, 1/2" X 55"
22	1771072	1	HOSE, CRIMPED, 3/4" X 72"
23	1700030	53"	HOSE, PUSH ON 300 PSI, 3/8
24	9200430	1	TANK, VR70 DRESSED INT OIL FILTER
25	1200581	2	MOUNT, TANK STRAP
26	2200105	2	CLAMP, MOUNTING BRACKET C, 6
27	2200113	2	STRAP, TANK FLAT BAR, BACKING STRAP
28	A700091	1	OIL, VR, 1L, HIGH PERFORMANCE
29	A700094	1	OIL, VR, 4L, HIGH PERFORMANCE
30	3800881	1	FASTENER PACK, V90G126

VMAC – Vehicle Mounted Air Compressors

Toll Free: 1-800-738-8622

Local: 1-250-740-3200

Fax: 1-250-740-3201

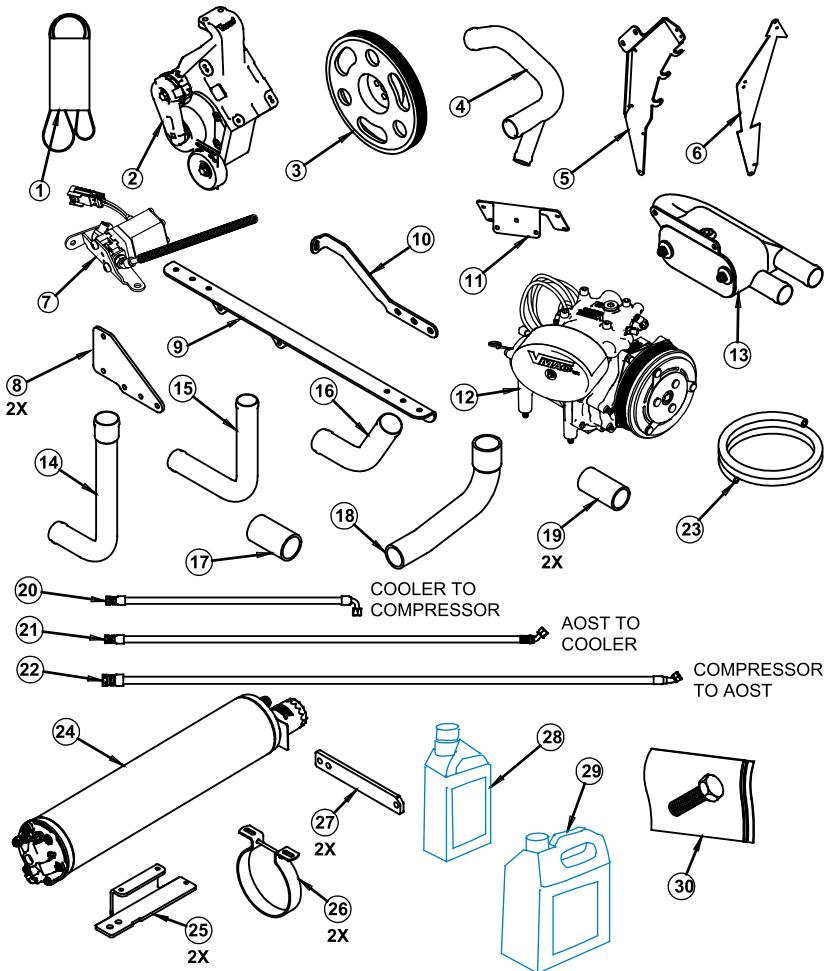


Figure 1 - Kit Pack List (1 of 2)

Kit Pack List (continued)

Item #	Part #	Qty	Description
31	3560226	1	VRTC, V90G126
32	3550835	1	CONTROL BOX, V90G126
33	3550836	1	HARNESS, V90G126
34	1930193	1	MANUAL, OWNERS, VR70G
35	1930205	1	MANUAL, INSTALLATION, V90G126
36	1930206	1	ILLUSTRATED PARTS LIST, V90G126
37	4800610	1	SYS ID & OP INSTR, V900126/V90G126
38	4800588	1	DISCHARGE CHECK VALVE, ASSEMBLY
39	4800609	1	ASSEMBLY, HOOD SWITCH
40	1200687	1	BRACKET, CTRL MOUNT, V90G126
41	3550802	1	DISPLAY BOX, AUS
42	3501143	1	BUZZER, 12V ALARM
43	3550804	1	ASSY, LED BEACON, AUS
44	3550807	1	ELECTRICAL PACK, AUS

VMAC – Vehicle Mounted Air Compressors

Toll Free: 1-800-738-8622

Local: 1-250-740-3200

Fax: 1-250-740-3201

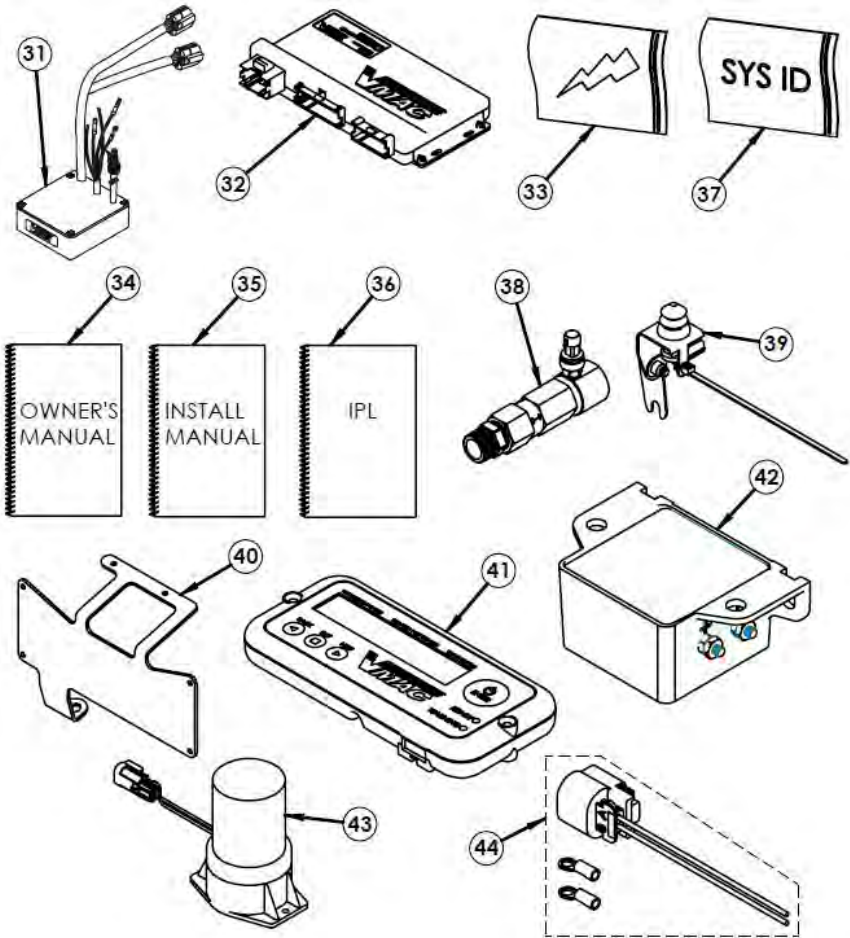


Figure 2 - Kit Pack List (2 of 2)

VMAC – Vehicle Mounted Air Compressors

Toll Free: 1-800-738-8622

Local: 1-250-740-3200

Fax: 1-250-740-3201

2. Fastener Pack, 3800881

Item #	Part #	Qty	Description
1	3800876	1	FASTENER PACK, COOLER
1.1	2200027	6	CLAMP, HOSE HS32
1.2	2200026	6	CLAMP, HOSE HS28
1.3	2200001	2	CLAMP, HOSE MH-6
1.4	4300097	1	PIPE FTG, NIPPLE, 1/4 X 6
1.5	5000191	1	TEE, EXTRUDED, 1/4
1.6	5000193	1	ELBOW, BRASS, 45 DEG, 1/4
1.7	5000194	1	BUSHING, BRASS, 1/2 X 1/4
1.8	5000192	2	CONNECTOR, BRASS, 1/4NPT – 3/8 BARB
1.9	1520563	4	BOLT, HHCS FLHD PL, M10 X 1.50 X 25
1.10	1520571	2	BOLT, HHCS FLHD PL, M10 X 1.5 X 30
1.11	1560138	6	NUT, NYLOCK PL, M10 X 1.5
1.12	4900056	2	ELBOW, STEEL SWIVEL 45, 1/2
1.13	2200049	5	TIE, NYLON, MD, 14"
1.14	5000061	1	PLUG, BRASS HEX SOCKET, 1/4
1.15	2200212	2	CLAMP, STRAP 1-3/4
1.16	1520538	1	BOLT, HHCS, FLHD, M10 X 1.50 X 35
1.17	1560512	1	NUT, FLANGE PL, M10 X 1.5
1.18	2200213	3	TIE, NYLON, BLACK, 30"
2	3800929	1	FASTENER PACK, FAN
2.1	3400074	1	FAN SPACER RING, RAM
2.2	1520630	4	BOLT,HHCS, 10.9, PL FL, M6 X 1 X 50
3	3800878	1	FAST PACK, MAIN BRACKET
3.1	1520538	2	BOLT, HHCS, FLHD, M10 X 1.50 X 35
3.2	1520605	1	BOLT,HHCS, M8-1.25 X 30, FL PL
3.3	1520615	2	BOLT, HHCS FL, PL, G10.9, M8 X 1.25 X 50
3.4	2200201	1	FLAT BAR, NUT PLATE
4	3800714	1	FASTENER PACK, TANK MOUNT STRAP
4.1	1510003	4	BOLT, HHCS NC G8 PL, 5/16 X 1
4.2	1510538	2	BOLT, HHCS NC FL-PL 3/8 X 4 1/2 IN
4.3	1510539	2	BOLT, HHCS NC FL-PL 3/8 X 6 IN
4.4	1550084	4	NUT, NYLOCK NC PL, 5/16
4.5	1550504	2	NUT, FLANGE LOCK NC GR5, 3/8
4.6	1570009	4	WASHER, SPLIT LOCK, 3/8
4.7	1570067	4	WASHER, SAE, 5/16

VMAC – Vehicle Mounted Air Compressors

Toll Free: 1-800-738-8622

Local: 1-250-740-3200

Fax: 1-250-740-3201

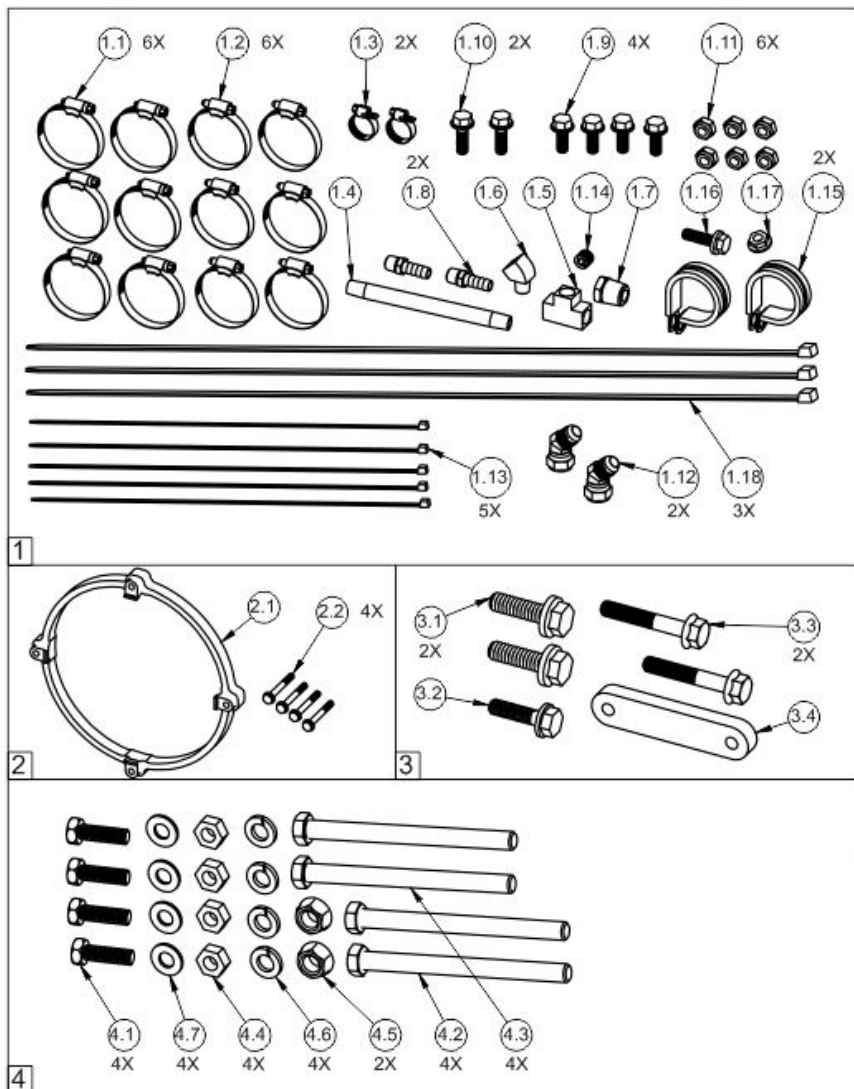


Figure 3 - Fastener Pack (1 of 2)

VMAC – Vehicle Mounted Air Compressors

Toll Free: 1-800-738-8622

Local: 1-250-740-3200

Fax: 1-250-740-3201

Fastener Pack, 3800881 (continued)

5	3800879	1	FAST PACK, ADAPTER, THROTTLE BODY
5.1	9200496	1	ADAPTER, THROTTLE BODY
5.2	1540555	3	BOLT, SHCS, M6X1.0X20, G10.9 PLT
5.3	1520531	1	BOLT, HHCS, G8.8, M6 X 1 X 70
5.4	1570491	1	WASHER, FLAT, M6, PLATED
5.5	5820096	2	GASKET, THROTTLE BODY, CUMMINS, 6.7
6	3800897	1	FASTENER PACK, TEFLON HOSE
6.1	1700570	125"	TUBE, TEFLON, PTFE, 1/4"OD X 3/16"ID
6.2	1700571	135"	TUBE, TEFLON, PTFE, 3/16"OD X 1/8"ID
6.3	1700581	123"	LOOM, SPLIT PLASTIC, 1/4, HIGH TEMP
6.4	1700581	133"	LOOM, SPLIT PLASTIC, 1/4, HIGH TEMP
6.5	2200039	10	TIE, NYLON MD, 7"
7	3800882	1	FASTENER PACK, CONTROL MOUNT
7.1	1500120	2	SCREW, TAP + DRILL, 14-3/4
7.2	1560515	1	NUT, M8 X 1.25, PL FL
7.3	1500631	5	SCREW, PHMS, M5 X 8
8	3800880	1	FASTENER PACK, STIFFENER BRACE
8.1	1500651	7	RIVET 1/8", GRIP RANGE-0.188"-0.250"
8.2	1520590	2	BOLT, HHCS, M6 X 1. X 14 FL PL
8.3	1560438	2	NUT, NYLOCK, M6
9	3800903	1	FASTENER PACK, DISCHARGE HOSE
9.1	1200707	1	BRACKET, SUPPORT, DISCHARGE, PS
9.2	1200706	1	BRACKET, SUPPORT, DISCHARGE, DS
9.3	1520591	2	BOLT, HHCS, M8-1.25 X 25, G10.9 FL PL
9.4	2200131	2	CLAMP, C.R.I., 1
9.5	1560521	2	NUT, M8 X 1.25, 12MM HEX PL
9.6	4900036	1	ELBOW, STEEL JIC SWIVEL 45, 3/4
10	3800845	1	FASTENER PACK, HARNESS
10.1	1700064	48"	LOOM, SPLIT PLASTIC, 1
10.2	1700581	282"	LOOM, SPLIT PLASTIC, 1/4, HIGH TEMP
10.3	2200039	21	TIE, NYLON MD, 7"
11	3800911	1	FASTENER PACK, DISPLAY BOX MOUNT
11.1	1500666	2	BOLT, FPHMS, SS, 6-32 X 1-1/4
11.2	1550532	2	NUT, SS, 6-32
11.3	1570509	2	WASHER, FLAT, SS, 6
11.4	1500499	3	SCREW, PHILLIPS PH, 8 - 32 X 3/8

VMAC – Vehicle Mounted Air Compressors

Toll Free: 1-800-738-8622

Local: 1-250-740-3200

Fax: 1-250-740-3201

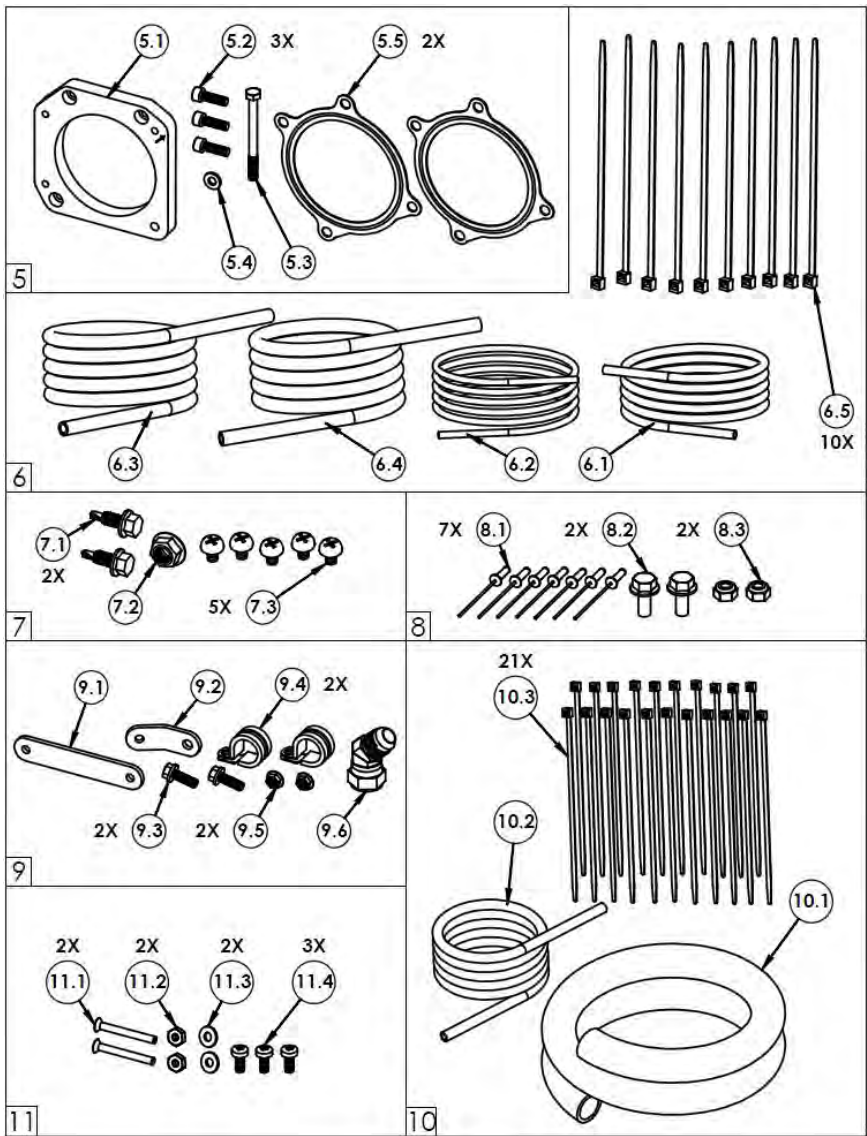


Figure 4 - Fastener Pack (2 of 2)

3. Compressor Assembly, P120148

Item #	Part #	Qty	Description
1	P120004	1	VR70 COMPRESSOR ASSEMBLY
2	4400295	1	LABEL, VR70 NAME PLATE
3	1540544	1	BOLT, SHCS, M8 X 1.25 X 75
4	1540550	1	BOLT,SHCS,M8 X 1.25 X 50, G12.9 PLT
5	1540530	2	BOLT,SHCS,M8 X 1.25 X 55, G12.9 PLT
6	5000020	2	ELBOW, BRASS NPT-POLY, 1/8-1/4
7	4900002	1	ELBOW, STEEL JIC/O-RING, 1/2 3/4-16
8	4300076	1	PIPE FTG, PLUG SKT HEAD, 1/8
9	5830004	2	O-RING, VITON, 3 1/8 ID X 1/8
10	1500355	2	SCREW, LONG U DRIVE, 2 - 3/16
11	1540521	4	BOLT, SHCS, PL, M8 X 1.25 X 110
12	5830132	1	O-RING, VITON, #8 ORB
13	5400345	1	LOCTITE,592,THREADSEALANT SLOW CURE
14	9200495	1	ADAPTER, INLET VALVE
15	1520566	2	BOLT,FLAT HEAD, PL M8 X 1.25 X 20MM
16	1570502	2	WASHER, M8, COPPER SEALING
17	1540526	1	BOLT, SHCS, M8 X 1.25 X 20
18	4401045	1	LABEL, OIL FILL
19	9200491	1	INLET VALVE, BASIC NON-REG.
20	3600148	1	ASSEMBLY, MUFFLER RESTRICTION
21	5000112	1	ELBOW, BRASS STREET 45 DEG, 1/8

VMAC – Vehicle Mounted Air Compressors

Toll Free: 1-800-738-8622

Local: 1-250-740-3200

Fax: 1-250-740-3201

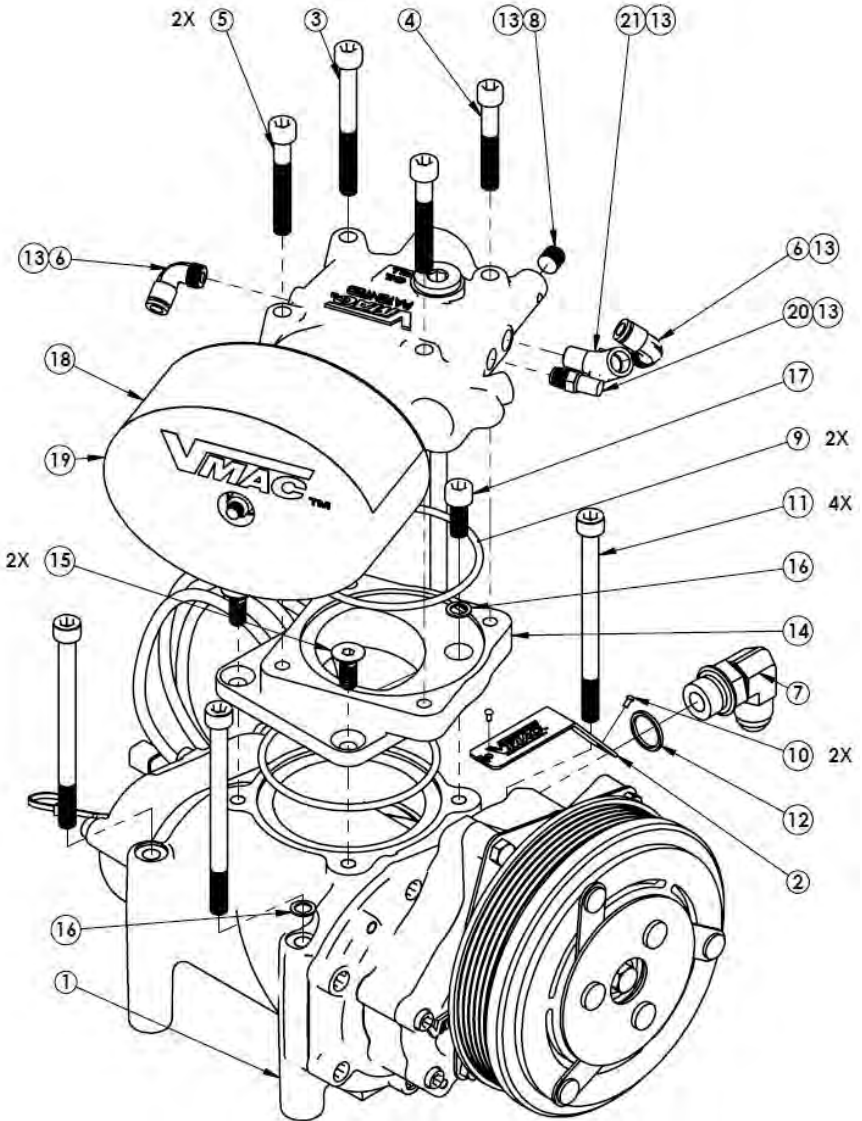


Figure 5 - Compressor Assembly (P120148)

4. Compressor Sub Components, P120004

Item #	Part #	Qty	Description
1	3550682	1	TEMPERATURE PROBE
2	P200035	1	CLUTCH COMPLETE 6 GROOVE

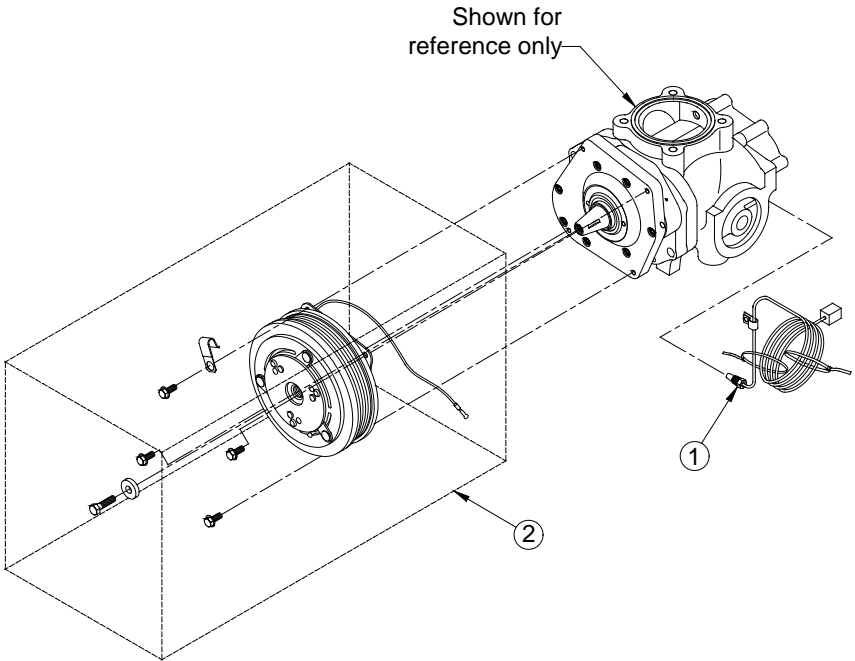


Figure 8 – Compressor Sub Components

VMAC – Vehicle Mounted Air Compressors

Toll Free: 1-800-738-8622

Local: 1-250-740-3200

Fax: 1-250-740-3201

5. Inlet Valve Sub Components, 9200491

Item #	Part #	Qty	Description
1	4900045	1	PLUG
2	5830002	1	O-RING, VITON, 2 3/8 ID X 3/32
3	5830129	1	O-RING, 40D SIL., 1 7/8 ID X 3/16

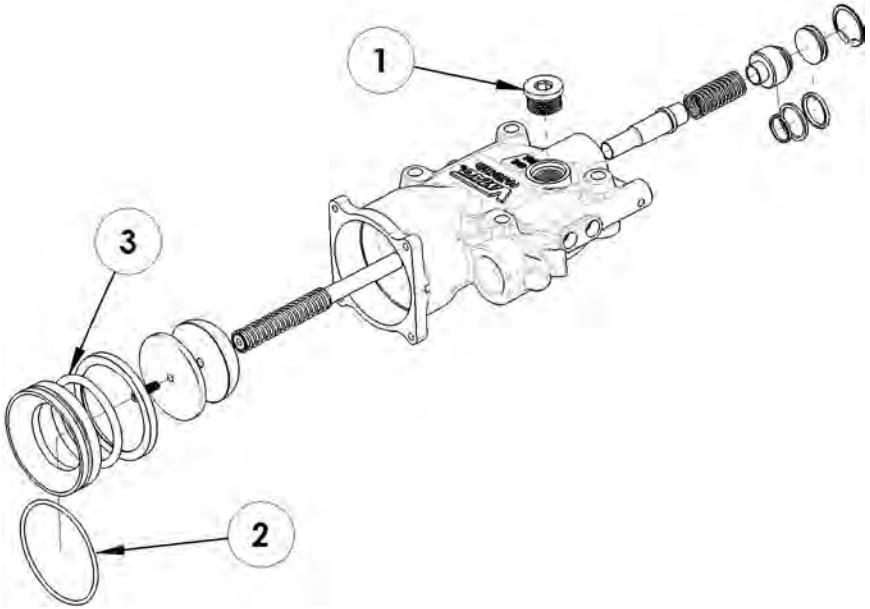


Figure 9 – Inlet Valve Sub Components

VMAC – Vehicle Mounted Air Compressors

Toll Free: 1-800-738-8622

Local: 1-250-740-3200

Fax: 1-250-740-3201

6. Main Bracket Assembly, 4800606

Item #	Part #	Qty	Description
1	1100192	1	BRACKET, VR70, RAM, 6.7L
2	1520563	1	BOLT, HHCS, FLHD, M10 X 1.5 X 25
3	3300036	1	TENSIONER, 7C3Z-6B209-D
4	1570496	1	WASHER, FENDER, 10MM X 30MM
5	4400463	1	LABEL, FASTENERS NOT TIGHTENED
6	1300031	1	IDLER, SERP, BACK, FLANGE, 90MM

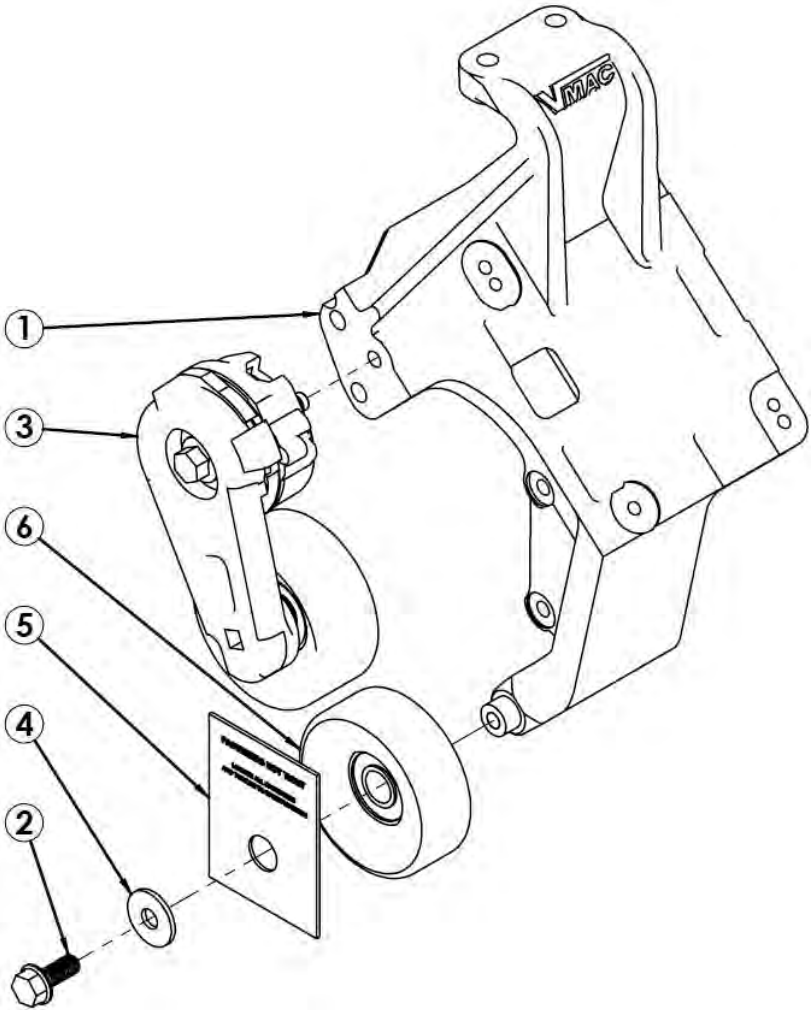


Figure 6 - Main Bracket Assembly

VMAC – Vehicle Mounted Air Compressors

Toll Free: 1-800-738-8622

Local: 1-250-740-3200

Fax: 1-250-740-3201

7. Tank, VR70, 9200430

Item #	Part #	Qty	Description
1	1510086	6	BOLT, HHCS NC G5 FL LK, 3/8 X 1
2	1510522	2	BOLT, HHCS NC G8 FL LK PL, 1/4 X 1/2
3	3200231	1	COVER, SIGHT GLASS
4	3600064	1	SEAL, TANK REAR CAP
5	3600090	1	THIMBLE, SCREEN
6	4900033	1	CONNECTOR, STEEL NPT-JIC, 3/4-3/4
7	4900035	1	NIPPLE, STEEL STR THRD, 3/4 - 16
8	4900106	1	PLUG, STEEL, #5 ORB, HEX
9	5000020	1	ELBOW, BRASS NPT-POLY, 1/8-1/4"
10	5000089	1	CONNECTOR, BRASS NPT-SAE, 3/8 - 1/2
11	5000165	1	ELBOW,90, BRASS NPT-POLY, 1/8-3/16"
12	5000160	1	ADAPTER, BRASS, 1/8-1/8 NPT
13	A700152	1	ELEMENT, SEP, COALESCING
14	5830066	1	O-RING, VITON, 4 3/4 ID X 1/8
15	5840069	1	SPRING, COMPRESSION, FL 1.5",OD .54
16	9200039	1	OIL FILTER, VR 3.250 SHORT
17	9200437	1	ASSEMBLY, BLOWDOWN CAP
17.1	3600054	1	VALVE, SAFETY, 3/8, 200 PSI
17.2	4500104	1	MUFFLER, SINTERED EXHAUST, 1/8"
18	9200378	1	TANK, OIL SEPARATOR
19	A700061	1	SIGHT GLASS ASSEMBLY

VMAC – Vehicle Mounted Air Compressors

Toll Free: 1-800-738-8622

Local: 1-250-740-3200

Fax: 1-250-740-3201

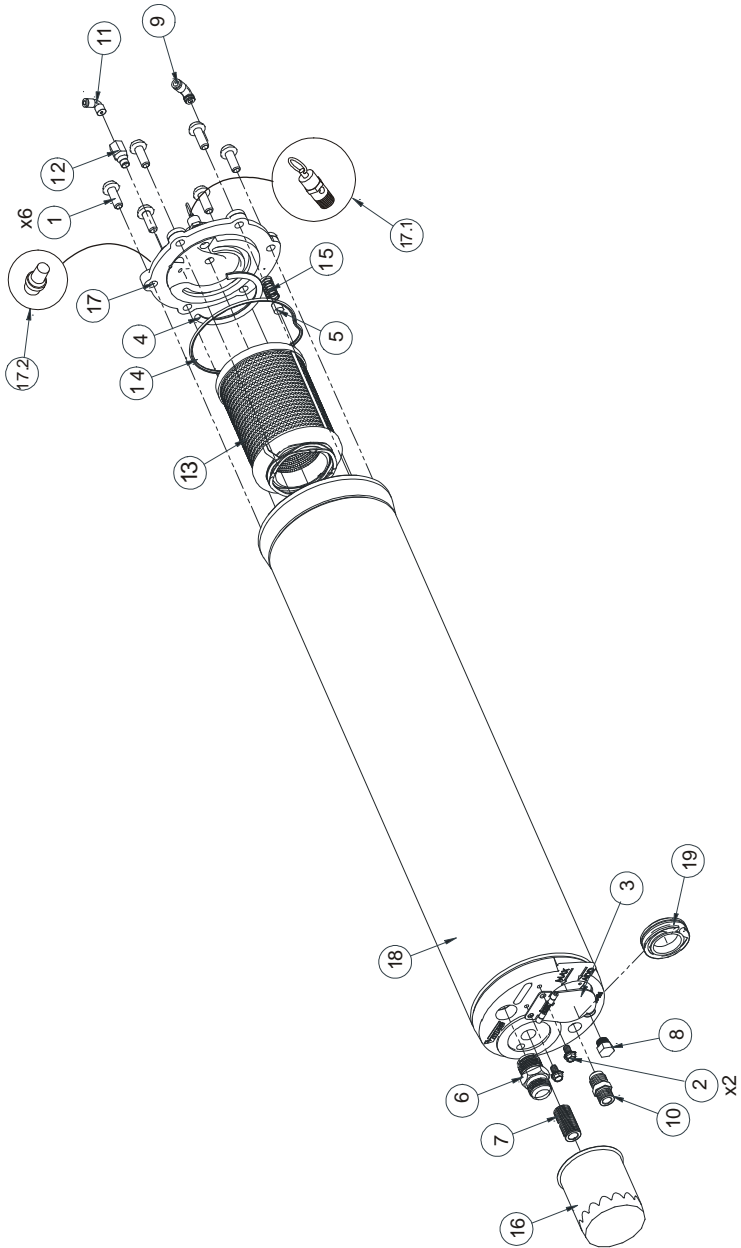


Figure 7 - VR70 Tank

VMAC – Vehicle Mounted Air Compressors

Toll Free: 1-800-738-8622

Local: 1-250-740-3200

Fax: 1-250-740-3201