

Illustrated Parts List for VMAC System G300002

1.	Kit Pack List	2
2.	Compressor Assembly, P190003	6
3.	Inlet Valve Sub Components, 9200561	8
4.	WHASP Tank, 9240011	10

NOTE: Drawings are not to scale

Document 1930289 Changes and Revisions

Rev	Revision Details	Revised by/date	Approved by/date	Approved by/date	Implemented
A	ENGINEERING RELEASE	RAR 17JUN2016	JKR 07JUL2016	RB 07JUL2016	07JUL2016
B	ECN 16-072	RAR 03AUG2016	JKR 10AUG2016	DB 10AUG2016	20SEP2016
C	ECN 16-142/143	JKR 19DEC2016	AJH 20DEC2016	AMG 20DEC2016	20DEC2016

VMAC – Vehicle Mounted Air Compressors

Toll Free: 1-800-738-8622 Local: 1-250-740-3200

Fax: 1-250-740-3201

1. Kit Pack List

ITEM	QTY.	PART #	DESCRIPTION
1	1	1200908	PLATE, MOUNT
2	1	9500329	ENGINE, GAS, SUBARU EX40
3	1	1540577	BOLT, SHCS, FLHD, M10 X 1.5 X 50
4	3	1540576	BOLT, SHCS, FLHD, M10 X 1.5 X 40
5	5	1560512	NUT, FLANGE PL, M10 X 1.5
6	4	1520591	BOLT, HHCS, M8-1.25 X 25, G10.9 FL PL
7	2	1200855	BRACKET, WHASP TANK
8	2@11.0	5800143	TRIM, RUBBER, 3/16" X 5/8"
9	8.0	1700584	SPIRAL WRAP, 1" OD, BLACK
10	5	1540565	BOLT, FLHDSCKT M8X1.25X30, GR10.9 PLT
11	13	1560515	NUT, M8 X 1.25 FL PL
12	7	1520627	BOLT, HHCS, FL, PL, M8 X 1.25 X 20
13	1	1200854	BRACKET, COMPRESSOR
14	1	1520570	BOLT, HHCS FL LK PL, M8 X 1.25 X 16
15	1	1772019	HOSE, CRIMPED, 3/4" X 19"
16	1	1812017	HOSE, CRIMPED, 3/8" X 17"
17	1	9240012	ASSEMBLY, HARNESS, GAS DRIVE,SEALED
18	1	1200849	BRACKET, ENGINE PLATE
19	13	1520590	BOLT, HHCS, M6X1.0X14 FL PL
20	1	2200178	CLAMP, 5/8, CUSHION
21	1	1200850	BRACKET, HOUR METER
22	1	3550957	HOUR METER, 2" LEADS, GT280
23	1	1200856	BRACKET, CHOKE CABLE
24	1	2200234	CLAMP, STRAP 3/16"
25	1	1560516	NUT, M6 X 1.0 FL PL
26	2	2200189	CLAMP, INSULATED, 3/8"
27	1	1200857	PLATE, ENGINE
28	4	1510528	BOLT, HHCS NC G8 FL LK, 3/8 X 1
29	1	3200504	PAD, TENSIONER
30	2	1520629	BOLT, HHCS, GR10.9, PL, FL, M10 X 1.5 X 16
31	1	3300036	TENSIONER 7C3Z-6B209-D
32	1	1800242	PULLEY, CRANK, SUBARU EX40
33	1	1400392	SPACER, CRANK PULLEY
34	1	1570496	WASHER, FENDER, 10MM X 30MM
35	1	1510550	BOLT, HHCS NF G8 PL, 3/8-24 X 1
36	1	4800710	ASSEMBLY, PULLEY
37	1	1520626	BOLT, HHCS,PL,G10.9,FL, M6-1.0 X 30
38	1	1620365	BELT, K040438
39	1	1200859	GUARD, BELT
40	1	4401134	LABEL, RAPTAIR-G30
41	1	4401133	OPERATING INSTRUCTIONS, RAPTAIR-G30

VMAC – Vehicle Mounted Air Compressors

Toll Free: 1-800-738-8622 Local: 1-250-740-3200

Fax: 1-250-740-3201

42	1	4400964	LABEL, SPECIALTY, WARNING
43	1	4400346	LABEL, SYSTEM ID PLATE
44	2	1500651	RIVET 1/8", GRIP RANGE-0.188"-0.250"
45	A/R	5400396	LOCTITE, 242, BLUE
46	1	5800141	CABLE, PUSH PULL 29.5"
47	1	1540538	BOLT, SHCS, PL, M6 X 1.0 X 14
48	1	1570458	WASHER, COPPER ANNEALED, M6
49	3.0L	5240233	OIL, COMPRESSOR
50	1.2L	5400330	OIL, ENGINE 10W30
51	1	1520605	BOLT, HHCS, M8-1.25 X 30, FL PL
52	1	4900167	CONN, 1/2 SWIVEL - 1/2 MALE NPT
53	1	3600159	VALVE, BALL, NPT-NPT, 1/2-1/2
54	1	2200064	CLAMP, STRAP 7/8
55	1	1200907	BRACKET, SHROUD
56	1	3501330	BATTERY, GROUP U1
57	1	4401141	LABEL, WARNING, REFUELING
58	1	9240011	TANK, WHASP W/ UNLOADER, ASSEMBLED
59	1	P190003	ASSEMBLY, COMPRESSOR
60	1	5000218	FITTING, UNION TEE, 1/4" POLY
61	1	3550936	CABLE, BATTERY, NEGATIVE
62	1	3550937	CABLE, BATTERY, POSITIVE
63	2	5800150	FOOTMAN LOOP, STEEL, 1.5" STRAP
64	1	5800151	BATTERY STRAP, 1.5"X 54"
65	4	1500630	SCREW, FLAT PHILLIPS, M6X1X12, SS
66	4	5800113	PAD, RUBBER
67	1	4800711	ASSEMBLY, THROTTLE, PNEUMATIC
68	1	1200912	BRACKET, BRACE, THROTTLE
69	1	1520583	BOLT, HHCS, FL, M6 X 1.0 X 20
70	2	1570498	WASHER, FENDER, 1/4 X 1
71	37.0	1700570	TUBE, TEFLON, PTFE, 1/4"OD
72	35.0	1700581	LOOM, SPLIT PLASTIC, 1/4, HIGH TEMP
73	13.0	1700570	TUBE, TEFLON, PTFE, 1/4"OD
74	12.0	1700581	LOOM, SPLIT PLASTIC, 1/4, HIGH TEMP
75	6.5	1700570	TUBE, TEFLON, PTFE, 1/4"OD
76	5.0	1700581	LOOM, SPLIT PLASTIC, 1/4, HIGH TEMP
77	13.5	1700570	TUBE, TEFLON, PTFE, 1/4"OD
78	12.0	1700581	LOOM, SPLIT PLASTIC, 1/4, HIGH TEMP
79	9.0	1700570	TUBE, TEFLON, PTFE, 1/4"OD
80	8.0	1700581	LOOM, SPLIT PLASTIC, 1/4, HIGH TEMP

Note: Items 45, 49, 50, and 71-80 not shown in Figure 1.

VMAC – Vehicle Mounted Air Compressors

Toll Free: 1-800-738-8622 Local: 1-250-740-3200

Fax: 1-250-740-3201

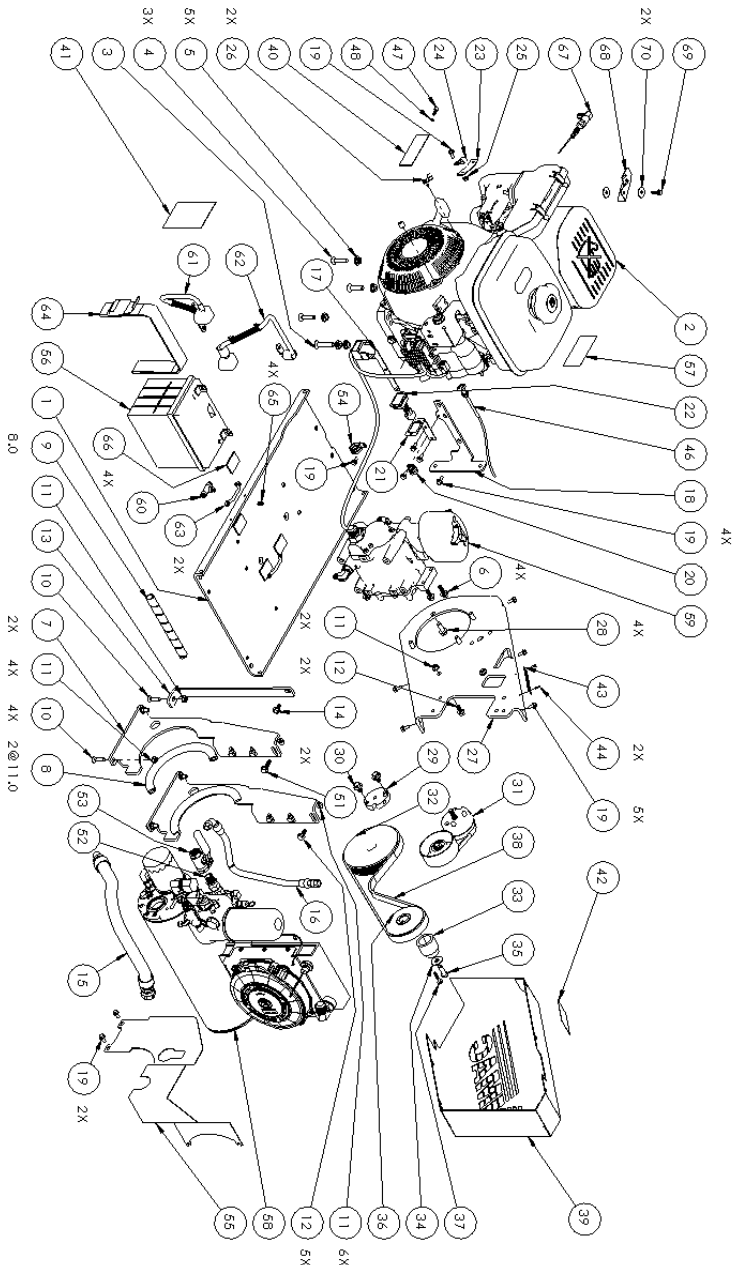


Figure 1 - Kit Pack List

VMAC – Vehicle Mounted Air Compressors

Toll Free: 1-800-738-8622 Local: 1-250-740-3200

Fax: 1-250-740-3201

This page left intentionally blank.

2. Compressor Assembly, P190003

ITEM #	QTY	PART #	DESCRIPTION
1	1	P190001	ASSEMBLY, COMPRESSOR, GEARLESS
2	1	4900174	CONN, STEEL, 90, #6 JIC - #8 ORB
3	1	5830004	O-RING, VITON, 3 1/8 ID X 1/8
4	1	5000158	ELBOW, BRASS 45 DEG NPT-POLY 1/8-1/4
5	2	1540530	BOLT, SHCS, M8 X 1.25 X 55, G12.9 PLT
6	2	1540550	BOLT, SHCS, M8 X 1.25 X 50, G12.9 PLT
7	1	9200561	ASSEMBLY, INLET VALVE
8	1	5000090	ELBOW, BRASS, EXTR'D 90 STREET, 1/8
9	1	5000121	TEE, STREET, EXTRUDED, 1/8
10	1	3600145	ASSEMBLY, MUFFLER RESTRICTION
11	1	5000012	CONNECTOR, BRASS NPT-POLY, 1/8 - 1/4

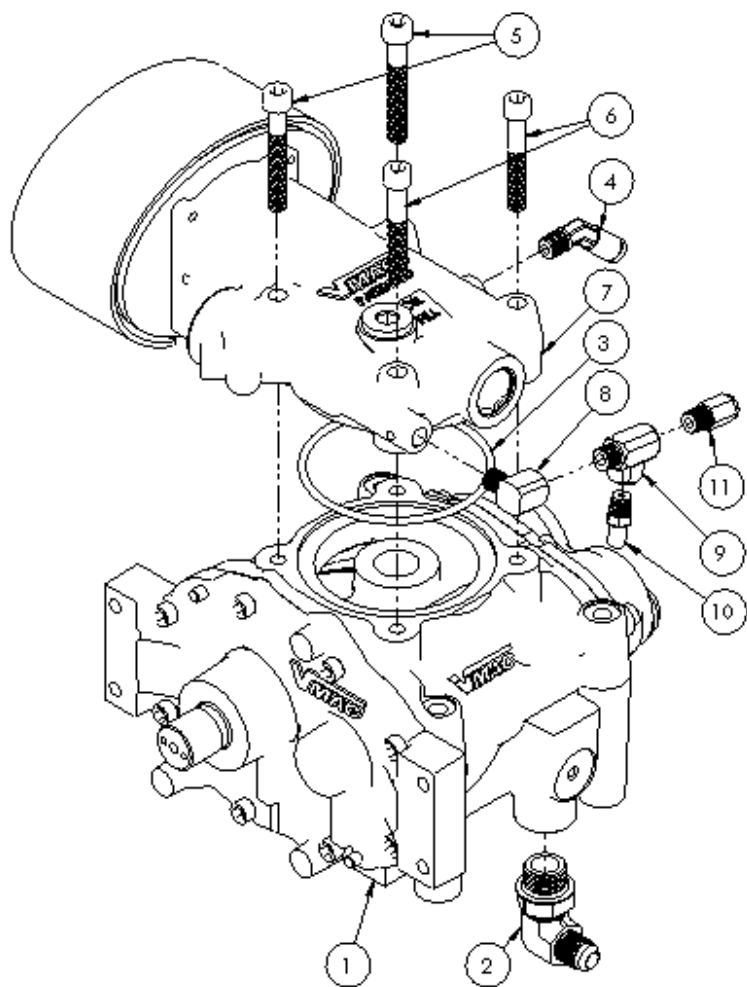


Figure 2 – Compressor Assembly (P190003)

3. Inlet Valve Sub Components, 9200561

ITEM #	QTY	PART #	DESCRIPTION
1	1	4900045	PLUG, STEEL HEX SAE/O-RING PORT
2	1	5830002	O-RING, VITON, 2 3/8 ID X 3/32
3	1	5830130	O-RING, VITON, 1 3/8 ID X 3/16
4	1	A700049	FILTER KIT ASSEMBLY
4.1	4	1500077	SCREW, BUTTON HEAD, 10 - 32 X 3/8
4.2	1	1500519	ROD, THREADED, 1/4 X 2.62
4.3	1	1500676	KNOB, PLASTIC, 1/4-20
4.4	1	1550221	NUT, HEX NC PL, 1/4, GR8
4.5	1	3200205	PLATE, INNER FILTER
4.6	1	3600037	ELEMENT, FILTER, PAPER
4.7	1	3600066	COVER, AIR FILTER, PLASTIC
4.8	1	5830070	O-RING, VITON, 2 9/16 ID X 3/32

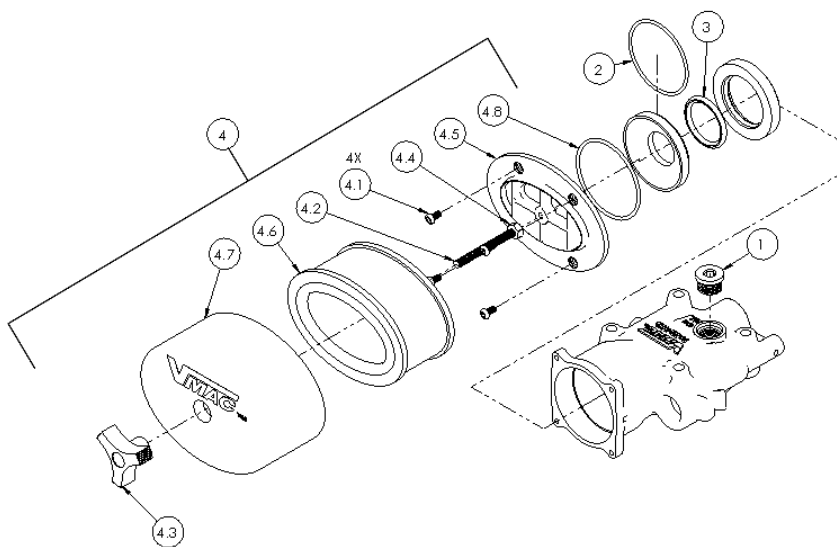


Figure 3 – Inlet Valve Sub Components

This page left intentionally blank.

4. WHASP Tank, 9240011

ITEM #	PART #	QTY	DESCRIPTION
1	3600088	1	OIL SEPARATOR, SPIN-ON
2	3600171	1	VALVE, MODIFIED (3600167)
3	4500104	1	MUFFLER, SINTERED EXHAUST, 1/8"
4	3600054	1	VALVE, SAFETY 200 PSI
5	5000140	1	ELBOW, BRASS, FORGED, 90DEG, 1/8 PIPE
6	3600123	1	VALVE, CHECK, 1/8 NPT
7	5000212	1	CONNECTOR, BRASS, FNPT-POLY, 1/8-1/4
8	5000202	1	TEE, STREET, EXTRUDED, 1/4
9	4900002	1	ELBOW, STEEL JIC/O-RING, 1/2 3/4-16
10	4900133	2	ELBOW, STEEL, JIC/O-RING, 1 1/16-12
11	4900163	1	CAP, STEEL, #12JIC
12	4900106	1	PLUG, STEEL, #5 ORB, HEX (VITON-O)
13	4900035	1	NIPPLE, STEEL STR THRD, 3/4 - 16
14	9200039	1	OIL FILTER, VR 3.250 SHORT
15	4900175	1	CONN, STEEL, #6 JIC - #8 ORB
16	4900117	1	JIC 90 DEG STEEL, SWIVEL, 3/8 -3/8
17	3550691	1	ASSEMBLY, THERMOSTAT 290F
18	6000719	1	SHROUD, FAN, WHASP TANK
19	A700061	1	PYREX WINDOW KIT
20	3550958	1	FAN, PULLER, 7.5", GT280
21	1520590	4	BOLT, HHCS, M6X1.0X14 FL PL
22	4900236	1	ELBOW, STEEL, 4MORB - 1/4MNPT
23	1200903	1	BRACKET, UNLOADER
24	3600177	1	VALVE, UNLOADER, RCT
25	1500704	1	SCREW, CAP, HEX, 3/8-16 X 1/2
26	1520601	1	BOLT, HHCS FL PL, M8 X1.25 X12
27	5000020	1	ELBOW, BRASS NPT-POLY, 1/8-1/4
28	5000219	1	ELBOW, BRASS, 1/4 MNPT - MNPT
29	3600178	1	VALVE, DISCHARGE, D4
30	5000012	1	CONNECTOR, BRASS NPT-POLY, 1/8 - 1/4
31	5000204	1	ELBOW, 90, BRASS NPT-POLY, 1/4-1/4
32	1570044	1	WASHER, ALLOY PL SAE, 3/8

VMAC – Vehicle Mounted Air Compressors

Toll Free: 1-800-738-8622 Local: 1-250-740-3200

Fax: 1-250-740-3201

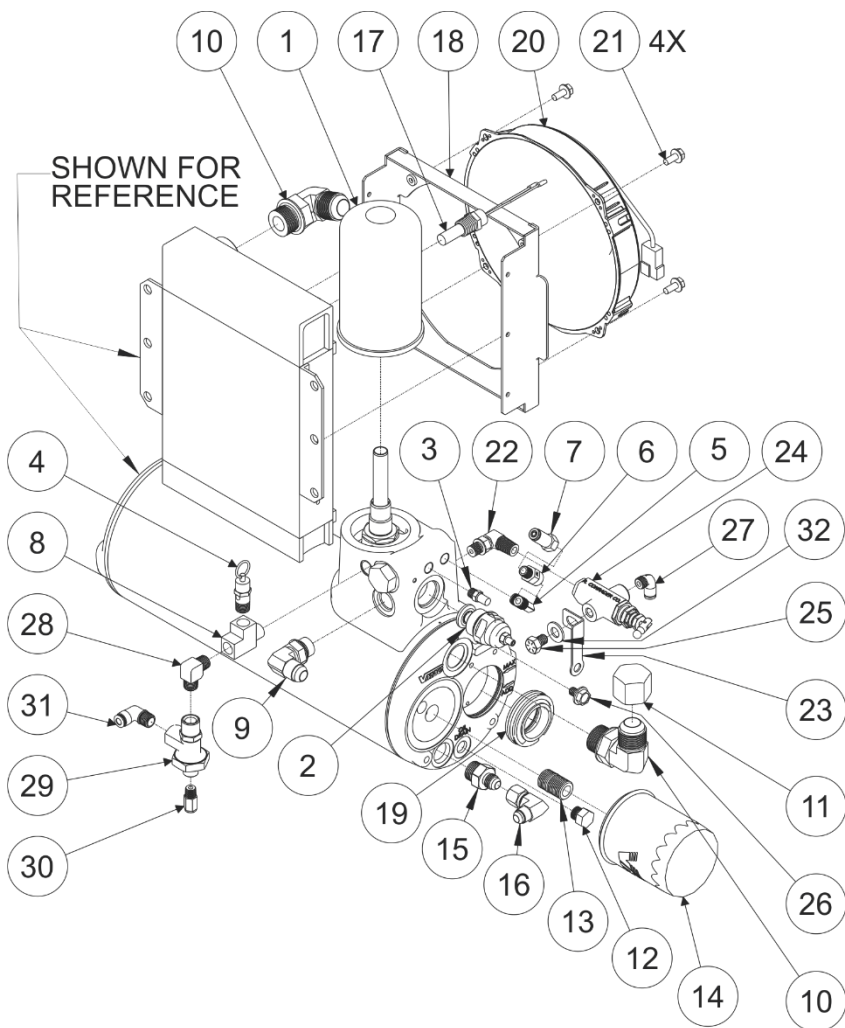


Figure 4 – WHASP Tank