

# Illustrated Parts List for VMAC System G30001

1.	Kit Pack List .....	2
2.	Compressor Assembly, P190002 .....	6
3.	Inlet Valve Sub Components, 9200563 .....	8
4.	WHASP Tank, 9240001 .....	10

NOTE: Drawings are not to scale

Document 1930268 Changes and Revisions

Rev	Revision Details	Revised by/date	Approved by/date	Implemented
A	ENGINEERING RELEASE	RR 07 OCT 2015	AH 14 OCT 2015	DB 14 OCT 2015
B	ECN 15-105/15-118	JR 10 DEC 2015	RAR 14 DEC 2015	DB 15 DEC 2015
C	ECN 16-036	JR 26 APR 2016	RAR 29 APR 2016	DB 13 JUN 2016
D	ECN 16-075	CJH 15 JUL 2016	RAR 15 JUL 2016	BJ 15 JUL 2016

**VMAC – Vehicle Mounted Air Compressors**

Toll Free: 1-800-738-8622 Local: 1-250-740-3200

Fax: 1-250-740-3201

## 1. Kit Pack List

ITEM	QTY.	PART #	DESCRIPTION
1	1	1200858	PLATE, MOUNT
2	1	9500329	ENGINE, GAS, SUBARU EX40
3	1	1540577	BOLT, SHCS, FLHD, M10 X 1.5 X 50
4	3	1540576	BOLT, SHCS, FLHD, M10 X 1.5 X 40
5	5	1560512	NUT, FLANGE PL, M10 X 1.5
6	1	P190002	ASSEMBLY, COMPRESSOR
7	4	1520591	BOLT,HHCS, M8-1.25 X 25, G10.9 FL PL
8	1	9240001	TANK, WHASP, ASSEMBLED
9	2	1200855	BRACKET, WHASP TANK
10	2@11.0	5800143	TRIM, RUBBER, 3/16" X 5/8"
11	8	1700584	SPIRAL WRAP, 1" OD, BLACK
12	5	1540565	BOLT,FLHDSCKT M8X1.25X30,GR10.9 PLT
13	13	1560515	NUT, M8 X 1.25 FL PL
14	7	1520627	BOLT, HHCS, FL, PL, M8 X 1.25 X 20
15	1	1200854	BRACKET, COMPRESSOR
16	1	1520570	BOLT,HHCS FL LK PL, M8 X 1.25 X 16
17	1	1772019	HOSE, CRIMPED, 3/4" X 19"
18	1	1812017	HOSE, CRIMPED, 3/8" X 17"
19	1	9240008	ASSEMBLY, HARNESS, GAS DRIVE
20	1	1200849	BRACKET, ENGINE PLATE
21	15	1520590	BOLT, HHCS, M6X1.0X14 FL PL
22	1	2200178	CLAMP, 5/8, CUSHION
23	1	1200850	BRACKET, HOUR METER
24	1	3550921	HOUR METER, 2" LEADS
25	1	1200856	BRACKET, CHOKE CABLE
26	1	2200234	CLAMP, STRAP 3/16"
27	2	1560516	NUT, M6 X 1.0 FL PL
28	2	2200189	CLAMP, INSULATED, 3/8"
29	1	4800711	ASSEMBLY, THROTTLE, PNEUMATIC
30	1	1200857	PLATE, ENGINE
31	4	1510528	BOLT, HHCS NC G8 FL LK, 3/8 X 1
32	1	2200133	CLAMP, INSULATED DOUBLE TUBE, 1/4
33	1	3200482	PAD, TENSIONER
34	2	1520629	BOLT, HHCS, GR10.9, PL, FL, M10 X 1.5 X 16
35	1	3300036	TENSIONER 7C3Z-6B209-D
36	1	1800237	PULLEY, CRANK, SUBARU EX40
37	1	1400392	SPACER, CRANK PULLEY
38	1	1570496	WASHER, FENDER, 10MM X 30MM
39	1	1510550	BOLT, HHCS NF G8 PL, 3/8-24 X 1
40	1	4800710	ASSEMBLY, PULLEY
41	1	1520626	BOLT,HHCS,PL,G10.9,FL, M6-1.0 X 30
42	1	1610352	BELT, K060450
43	1	1200859	GUARD, BELT
44	1	3501094	BATTERY, GROUP 51
45	1	9500155	CLAMP, PLASTIC, BATTERY
46	2	9500106	BATTERY MOUNT, MODIFIED
47	2	1550514	NUT, FLANGE TORQ LOCK NC, 1/4-20
48	1	3550919	CABLE, BATTERY, POSITIVE
49	1	3550918	CABLE, BATTERY, NEGATIVE

### VMAC – Vehicle Mounted Air Compressors

Toll Free: 1-800-738-8622 Local: 1-250-740-3200

Fax: 1-250-740-3201

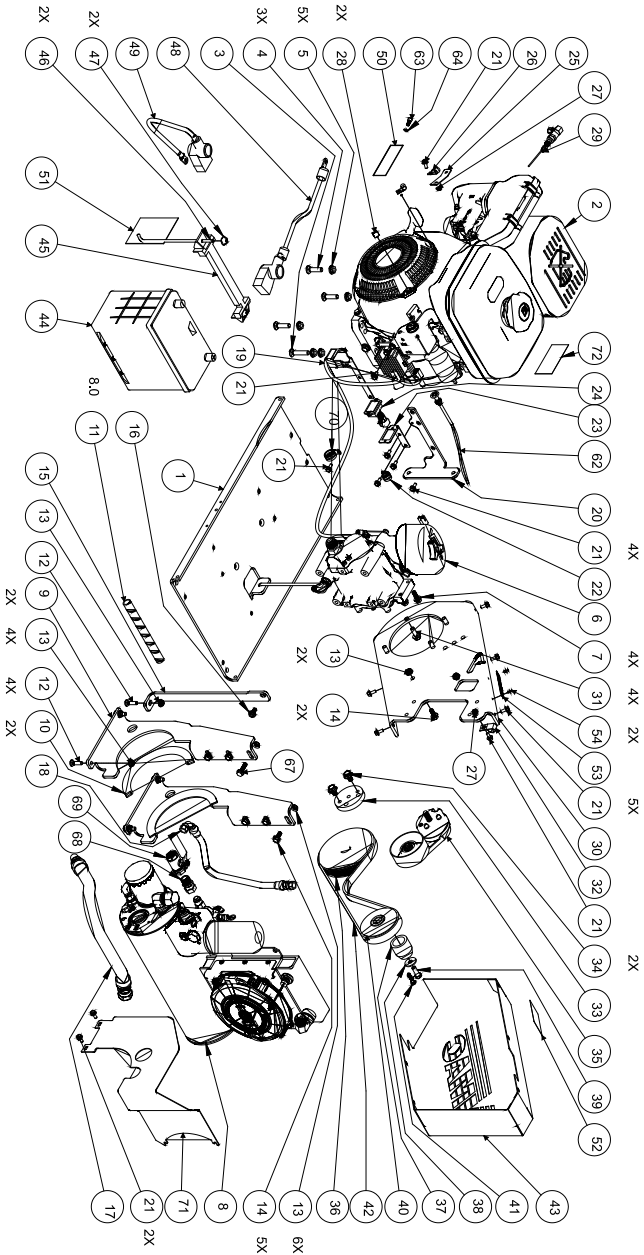
50	1	4401134	LABEL, RAPTAIR-G30
51	1	4401133	OPERATING INSTRUCTIONS, RAPTAIR-G30
52	1	4400964	LABEL, WARNING, S7000157/159
53	1	4400346	LABEL, SYSTEM ID PLATE
54	2	1500651	RIVET 1/8",GRIP RANGE-0.188"-0.250"
55	13.5	1700570	TUBE, TEFLON, PTFE,1/4"OD
56	13	1700581	LOOM, SPLIT PLASTIC, 1/4, HIGH TEMP
57	21	1700571	TUBE, TEFLON,PTFE, 3/16"OD X 1/8"ID
58	19.5	1700581	LOOM, SPLIT PLASTIC, 1/4, HIGH TEMP
59	39	1700570	TUBE, TEFLON, PTFE,1/4"OD
60	38	1700581	LOOM, SPLIT PLASTIC, 1/4, HIGH TEMP
61	A/R	5400396	LOCTITE, 242, BLUE
62	1	5800141	CABLE, PUSH PULL 29.5"
63	1	1540538	BOLT, SHCS, PL, M6 X 1.0 X 14
64	1	1570458	WASHER, COPPER ANNEALED, M6
65	3.0L	5240233	OIL, COMPRESSOR
66	1.2L	5400330	OIL, ENGINE 10W30
67	1	1520605	BOLT,HHCS, M8-1.25 X 30, FL PL
68	1	4900167	CONN, 1/2 SWIVEL - 1/2 MALE NPT
69	1	3600159	VALVE, BALL, NPT-NPT, 1/2-1/2
70	1	2200064	CLAMP, STRAP 7/8
71	1	1200902	BRACKET, SHROUD, G30
72	1	4401141	LABEL, WARNING, REFUELING

**Note:** Items 55, 56, 57, 58, 59, 60, 61, 65, and 66 not shown in Figure 1 below.

**VMAC – Vehicle Mounted Air Compressors**

Toll Free: 1-800-738-8622 Local: 1-250-740-3200

Fax: 1-250-740-3201



**Figure 1 - Kit Pack List**

**VMAC – Vehicle Mounted Air Compressors**  
 Toll Free: 1-800-738-8622 Local: 1-250-740-3200  
 Fax: 1-250-740-3201

**This page left intentionally blank.**

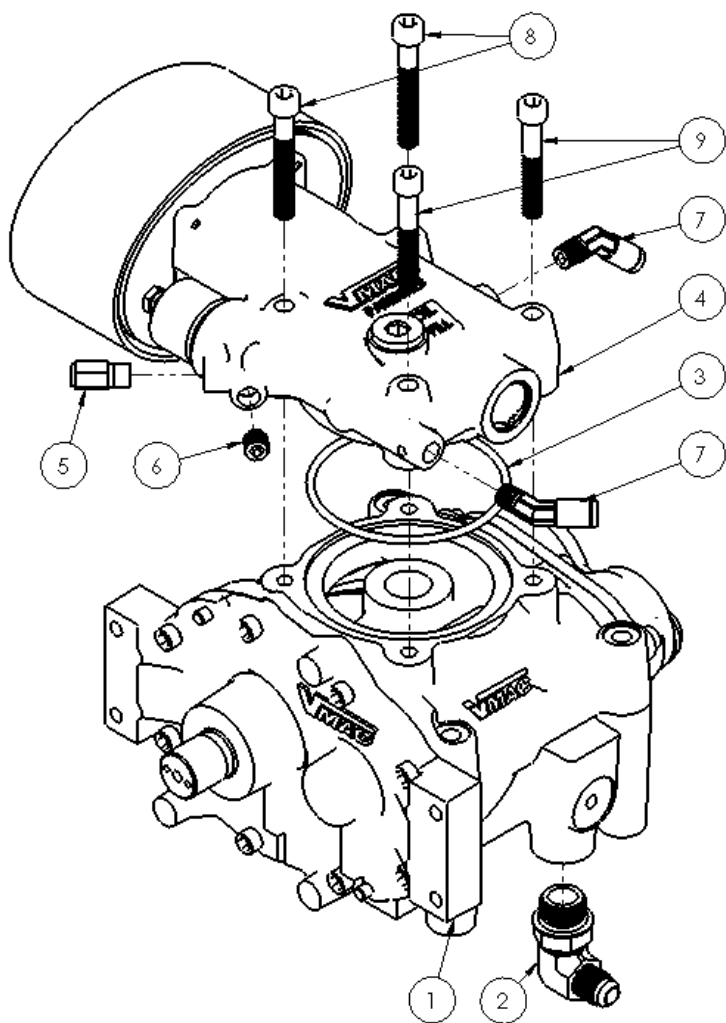
## 2. Compressor Assembly, P190002

Item #	Qty	Part #	Description
1	1	P190001	ASSEMBLY, COMPRESSOR, GEARLESS
2	1	4900174	CONN, STEEL, 90, #6 JIC - #8 ORB
3	1	5830004	O-RING, VITON, 3 1/8 ID X 1/8
4	1	9200563	ASSEMBLY, INLET VALVE
5	1	5000162	CONNECT,BRASS NPT-POLY,3/16-1/8 NPT
6	1	4300076	PIPE FTG, PLUG SKT HEAD, 1/8
7	2	5000158	ELBOW,BRASS 45 DEG NPT-POLY 1/8-1/4
8	2	1540530	BOLT,SHCS,M8 X 1.25 X 55, G12.9 PLT
9	2	1540550	BOLT,SHCS,M8 X 1.25 X 50, G12.9 PLT

**VMAC – Vehicle Mounted Air Compressors**

Toll Free: 1-800-738-8622 Local: 1-250-740-3200

Fax: 1-250-740-3201



**Figure 2 – Compressor Assembly (P190002)**

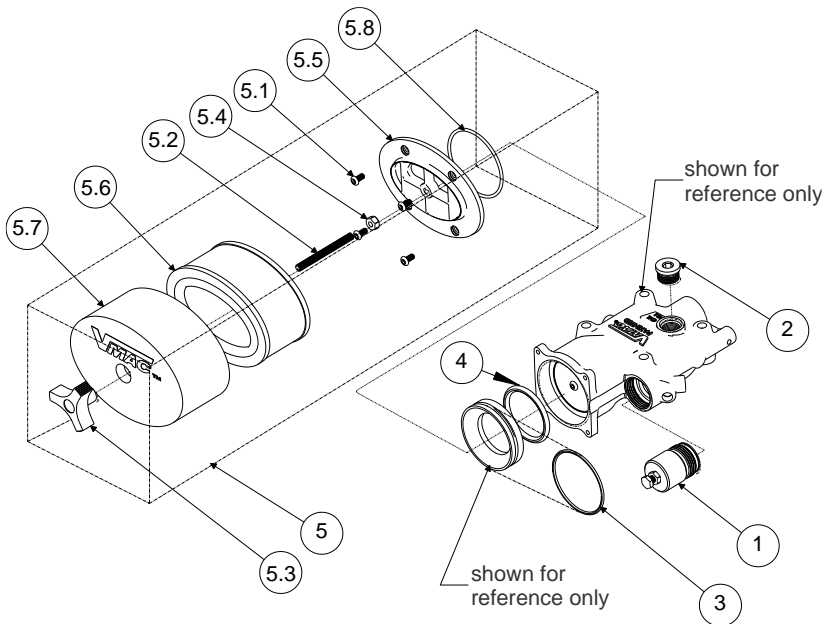
**VMAC – Vehicle Mounted Air Compressors**

Toll Free: 1-800-738-8622 Local: 1-250-740-3200

Fax: 1-250-740-3201

### 3. Inlet Valve Sub Components, 9200563

Item #	Qty	Part #	Description
1	1	A700137	ACCESSORY PACK, REGULATOR ASSEMBLY
2	1	4900045	PLUG
3	1	5830002	O-RING, VITON, 2 3/8 ID X 3/32
4	1	5830129	O-RING, VITON, 1 7/8 ID X 3/16
5	1	A700049	FILTER KIT ASSEMBLY
5.1	4	1500077	SCREW, BUTTON HEAD, 10 - 32 X 3/8
5.2	1	1500519	ROD, THREADED, 1/4 X 2.62
5.3	1	1500676	KNOB, PLASTIC, 1/4-20
5.4	1	1550221	NUT, HEX NC PL, 1/4, GR8
5.5	1	3200205	PLATE, INNER FILTER
5.6	1	3600037	ELEMENT, FILTER, PAPER
5.7	1	3600066	COVER, AIR FILTER, PLASTIC
5.8	1	5830070	O-RING, VITON, 2 9/16 ID X 3/32



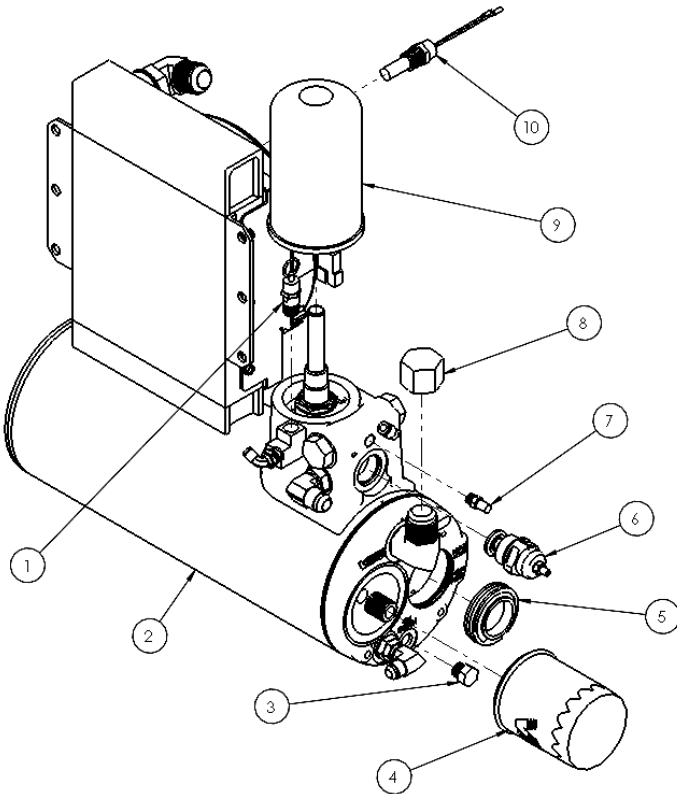
**Figure 3 – Inlet Valve Sub Components**



**This page left intentionally blank.**

#### 4. WHASP Tank, 9240001

Item #	Part #	Qty	Description
1	3600054	1	VALVE, SAFETY 200 PSI
2	9230015	1	WELDMENT, TANK, WHASP, W/O FEET
3	4900106	1	PLUG, STEEL, #5 ORB, HEX (VITON-O)
4	9200039	1	OIL FILTER, VR 3.250 SHORT
5	A700061	1	PYREX WINDOW KIT
6	3600171	1	VALVE, MODIFIED (3600167)
7	4500104	1	MUFFLER, SINTERED EXHAUST, 1/8"
8	4900163	1	CAP, STEEL, #12JIC
9	3600088	1	OIL SEPARATOR, SPIN-ON
10	3550691	1	ASSEMBLY, THERMOSTAT 290F



**Figure 4 – AOST**

**VMAC – Vehicle Mounted Air Compressors**

Toll Free: 1-800-738-8622 Local: 1-250-740-3200

Fax: 1-250-740-3201